



**FTF-50-RD Centrifugal Feeder**  
 Designed for Quiet, High Speed Feeding



**Product Overview:**

Hoppmann's standard FTF-50 rigid disc centrifugal feeder is designed to feed a variety of products in a food-grade environment with its unique bowl design. Product is metered into the bowl and brought out to the bowl rim where a series of qualifiers gently orient the part for transfer to various downstream inline devices.

**Product Specifications:**

	<u>ANSI</u>	<u>Metric</u>
A. Outside Diameter	71"	1804mm
B. Frame Height	47" ± 1.5"	1194mm ± 40mm
C. Discharge Height	36" ± 2"	914mm ± 51mm
D. Bowl Outside Diameter	56"	1422mm
E. Bowl Inside Diameter	47.10"	1196mm
F. Rim Width	4.13"	105mm
G. Bowl Depth	7.10"	180mm
H. Level Foot Adjustment	3.00" ± 1"	76mm ± 25mm

**Standard Models:**

Part Number	<u>FT501RLDFA</u>	<u>FT501RLAFA</u>
Motor Style	DC	AC
Motor Voltage	90V	208-230/460V
Horsepower	3/4 hp	560 W

**Standard Features:**

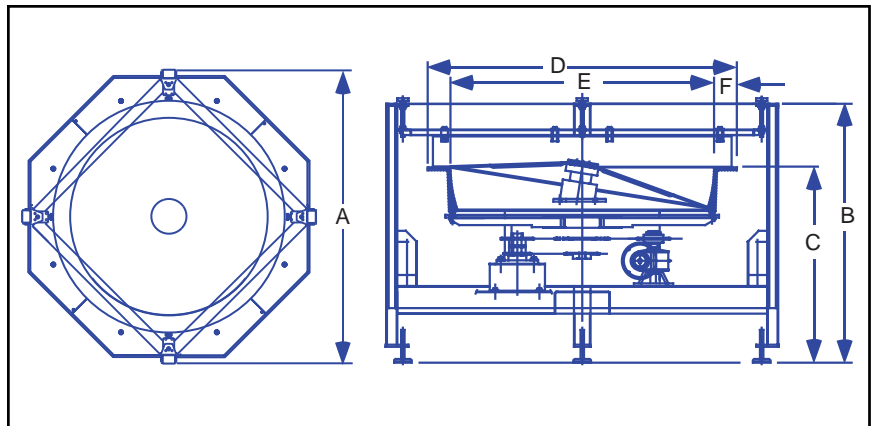
- All stainless steel construction
- FDA approved ABS vacuum formed disc
- Teflon hard-coated finished aluminium bowl
- Panel mount controller card
- Washdown motor(s)

**Available Options:**

- Polycarbonate covers
- Dual motor drive system

**Required Accessories:**

Square Frame	<u>CW</u>	<u>CCW</u>
Backup Ring .....	<u>BUCWFT50FU</u> .....	<u>BUCCT50FU</u>



Hoppmann Corporation strives to improve its products and reserves the right to change or discontinue specifications & designs shown in this brochure without notice and without incurring obligation. 07/05

**Packaging - Processing**  
**Bid on Equipment**  
 1-847-683-7720  
[www.bid-on-equipment.com](http://www.bid-on-equipment.com)

**Hoppmann Corporation Headquarters**  
 13129 Airpark Drive • Suite 120 • Elkwood, VA 22718  
 Tel: 540.829.2564 • 800.368.3582 • Fax: 540.829.1724  
[www.hoppmann.com](http://www.hoppmann.com) • email: [feeder@hoppmann.com](mailto:feeder@hoppmann.com)

**Hoppmann Corporation Manufacturing**  
 P.O. Box 879 • 291 Dillard Rd. • Madison Heights, VA 24572  
 Tel: 434.929.4746 • 800.543.0915 • Fax: 434.929.4959  
[www.hoppmann.com](http://www.hoppmann.com) • email: [feeder@hoppmann.com](mailto:feeder@hoppmann.com)