



**FT-20-RD Centrifugal Feeder**  
 Designed for Quiet, High Speed Feeding



**Product Overview:**

Hoppmann's standard FT-20 rigid disc centrifugal feeder is designed to feed a variety of products with it's unique bowl design. Product is metered into the bowl and brought out to the bowl rim where a series of qualifiers gently orient the part for transfer to various downstream inline devices.

**Product Specifications:**

	<u>ANSI</u>	<u>Metric</u>
A. Outside Diameter	27.24"	692mm
B. Frame Height	24.25"	616mm
C. Discharge Height	15.66" ± 2"	398mm ± 51mm
D. Bowl Outside Diameter	25.75"	654mm
E. Bowl Inside Diameter	20.25"	514mm
F. Rim Width	2.75"	70mm
G. Bowl Depth	2.5"	64mm
H. Level Foot Adjustment	1.75"	44mm

**Standard Models:**

	<u>FT201RLDSA</u>	<u>FT201RLASA</u>
Part Number		
Motor Style	DC	AC
Motor Voltage	90V	180V
Horsepower	1/5 hp	149 W

**Required Accessories:**

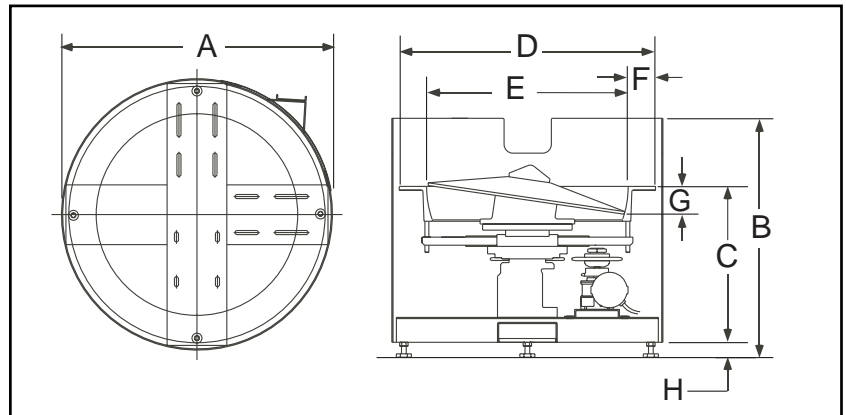
	<u>CW</u>	<u>CCW</u>
Square Frame		
Backup Ring .....	BUCWFT20SU .....	BUCCF20SU

**Standard Features:**

- All stainless steel construction
- Square tooling frame
- FDA approved ABS vacuum formed disc
- Teflon hard-coated finished aluminium bowl
- Panel mount controller card

**Available Options:**

- Polycarbonate covers
- Dual motor drive system
- Washdown motor(s)
- NEMA 1 encased controller



Hoppmann Corporation strives to improve its products and reserves the right to change or discontinue specifications & designs shown in this brochure without notice and without incurring obligation. 06/05

**Packaging - Processing**  
**Bid on Equipment**  
 1-847-683-7720  
 www.bid-on-equipment.com

**Hoppmann Corporation Headquarters**  
 13129 Airpark Drive • Suite 120 • Elkwood, VA 22718  
 Tel: 540.829.2564 • 800.368.3582 • Fax: 540.829.1724  
 www.hoppmann.com • email: feeder@hoppmann.com

**Hoppmann Corporation Manufacturing**  
 P.O. Box 879 • 291 Dillard Rd. • Madison Heights, VA 24572  
 Tel: 434.929.4746 • 800.543.0915 • Fax: 434.929.4959  
 www.hoppmann.com • email: feeder@hoppmann.com