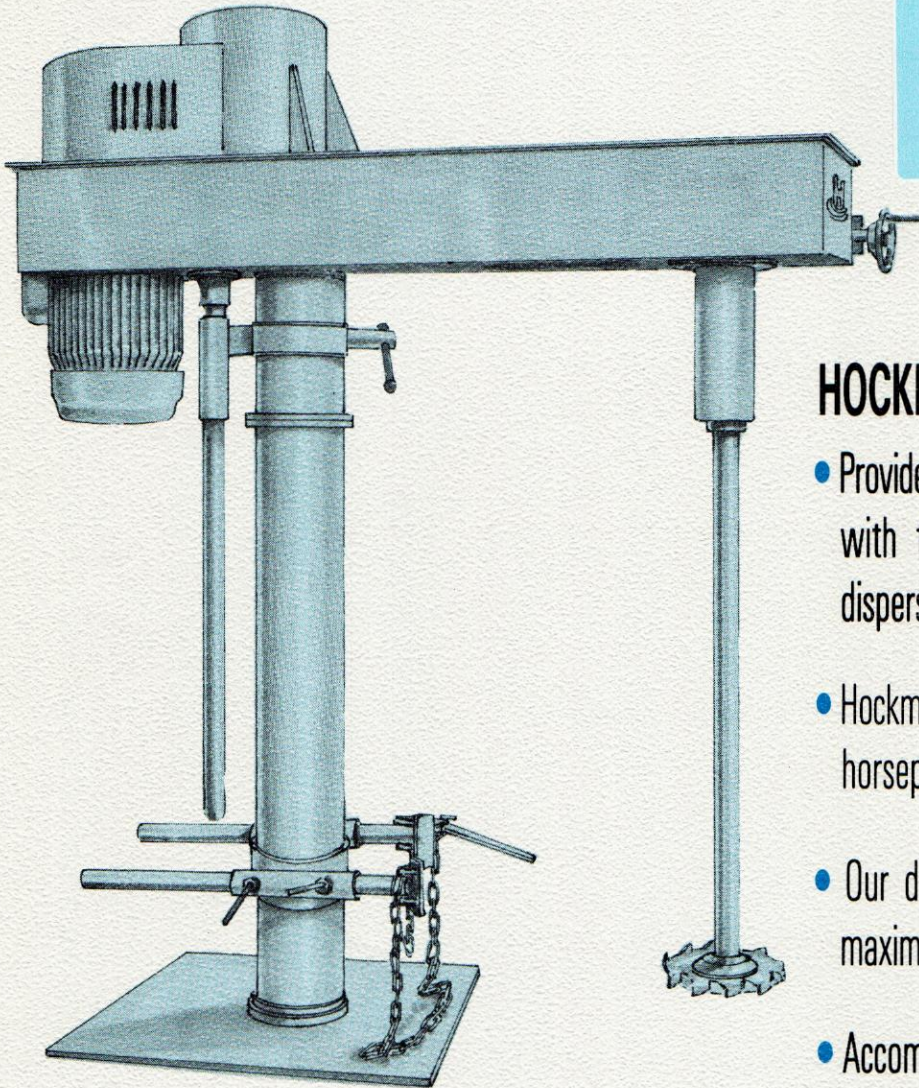


THE HOCKMEYER **HVR** HEAVY-DUTY DISCPERSER

GET ALL THE POWER YOU PAY FOR!!



Packaging - Processing
Bid on Equipment

1-847-683-7720

www.bid-on-equipment.com

HOCKMEYER **HVR** DISCPERSERS

- Provide the reliability you require coupled with the long-lasting durability other dispersers simply cannot match.
- Hockmeyer **HVR** Dispersers deliver full horsepower at the mixing shaft.
- Our drives are designed to deliver maximum output at all dispersion levels.
- Accommodates larger blades which are utilized at full horsepower.

Brochure 311



HOCKMEYER EQUIPMENT CORPORATION

610 WORTHINGTON AVE., P.O. BOX 113, HARRISON, NEW JERSEY 07029

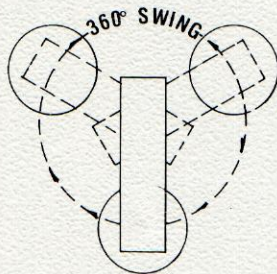
TEL. (201) 482-0225

FAX: (201) 484-6114

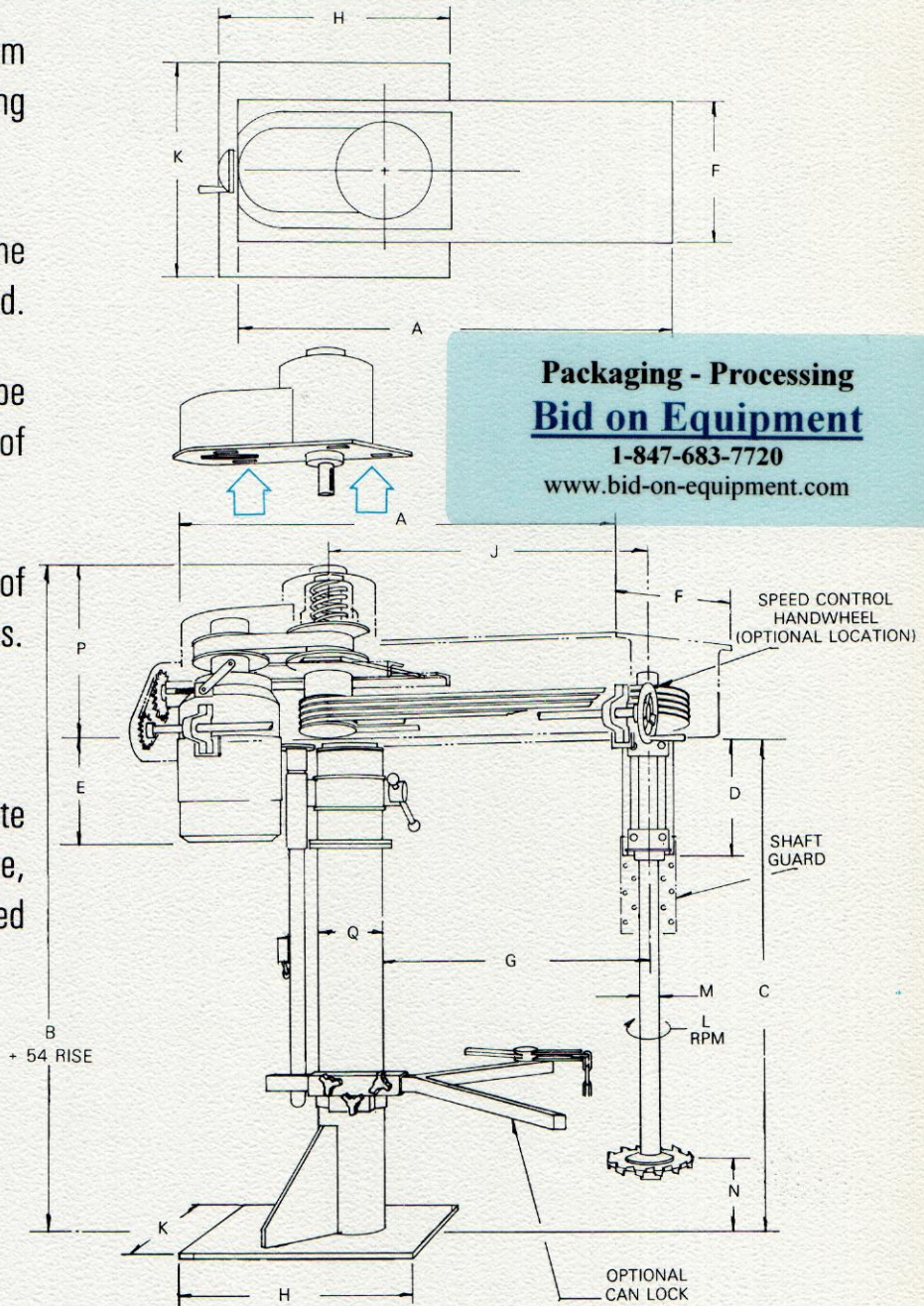
TELEX: 642-945

THE HOCKMEYER **HVR** HEAVY-DUTY DISC PERSER

- **VERSATILE!** Can handle everything from one-step finished dispersion to pre-mixing a heavy mill base.
- Two-stage variable speed drive delivers the power you need at the speeds you need.
- Reduction shaft head (*stubby head*) can be removed from machine for ease of maintenance.
- Rugged construction with high factors of safety to handle high torque applications.
- Stainless steel shaft and blade.
- Features air/oil hydraulic lift system complete with oil tank, directional control valve, muffler, and foot valve. Electrical motorized pump is offered as an option.



HVR DISPERSERS
DESIGNED FOR
FULL 360° SWING
FOR MULTI-TANK
OPERATION



**Packaging - Processing
Bid on Equipment**

1-847-683-7720

www.bid-on-equipment.com

DIMENSIONAL SPECIFICATIONS OF EQUIPMENT: STANDARD MODELS 25 H.P. TO 75 H.P.

HP	MODEL	A	B	C	D	E	F	G	H	J	K	L	M	N	P	Q	WT.
25	HVR-25	83 ¹ / ₈	97 ¹ / ₂	65 ⁵ / ₈	15 ¹ / ₂	26 ¹ / ₄	22	35 ³ / ₁₆	36	42 ¹ / ₄	36	400/2000	2 ¹ / ₂	7	29 ³ / ₄	10	3900
30	HVR-30	83 ¹ / ₈	97 ¹ / ₂	65 ⁵ / ₈	15 ¹ / ₂	26 ¹ / ₄	22	35 ³ / ₁₆	36	42 ¹ / ₄	36	400/2000	2 ¹ / ₂	7	29 ³ / ₄	10	3900
40	HVR-40	90 ¹ / ₈	97 ¹ / ₂	65 ⁵ / ₈	14	30 ¹ / ₈	24	40	36	48 ¹ / ₄	36	500/1400	3	8	29 ³ / ₄	10	5400
50	HVR-50	90 ¹ / ₈	97 ¹ / ₂	65 ⁵ / ₈	14	31 ⁵ / ₈	24	40	36	48 ¹ / ₄	36	500/1400	3	8	29 ³ / ₄	10	5400
60	HVR-60	90 ¹ / ₈	97 ¹ / ₂	65 ⁵ / ₈	14	34 ⁵ / ₈	24	40	36	48 ¹ / ₄	36	500/1400	3	8	29 ³ / ₄	10	5500
75	HVR-75-65	90 ¹ / ₈	97 ¹ / ₂	65 ⁵ / ₈	14	34 ⁵ / ₈	24	40	36	48 ¹ / ₄	36	500/1400	3 ¹ / ₄	8	29 ³ / ₄	12	5650