

HOBART701 S Ridge Avenue, Troy, OH 45374
1-888-4HOBART • www.hobartcorp.com**SECURITY
LABEL APPLIER****HOBART****AUTOMATICALLY APPLIES AN EAS TAG
TO MEAT PACKAGES**

The new Hobart Security Label Applier can automatically attach an EAS tag to the backside of the scale label. The EAS tag is hidden underneath the scale label. The Security Label Applier can be added to any existing or new Hobart Access scale system. It can be programmed so that only packages above a set value will get a security tag.

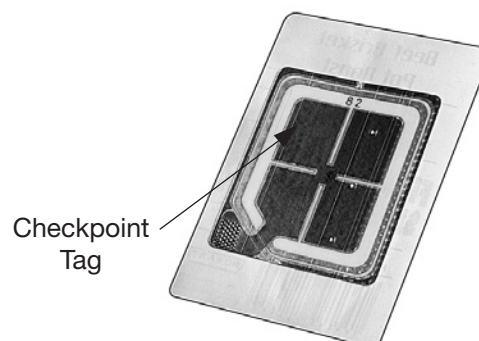
FEATURES

- Auto apply EAS Tag on Demand
- Uses standard roll of EAS Tags
- Tag is hidden under scale label
- Alert operator when out of tags
- Easy to load/thread security tags

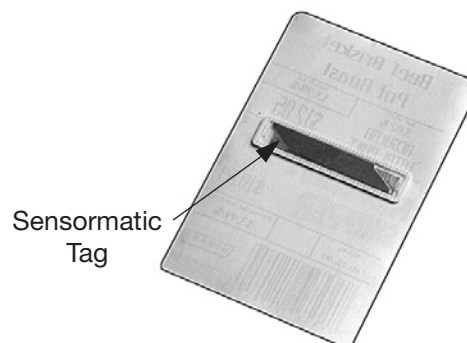
BENEFITS

- Labor savings
- Only higher profit items get tagged
- Consistent tag location helps insure deactivation

Specifications, Details and Dimensions on Reverse Side.



Rear or Sticky Side of Label



Rear or Sticky Side of Label

**SECURITY LABEL APPLIER**

SECURITY LABEL APPLIER

HOBART

701 S Ridge Avenue, Troy, OH 45374
1-888-4HOBART • www.hobartcorp.com

SPECIFICATIONS

ELECTRICAL:

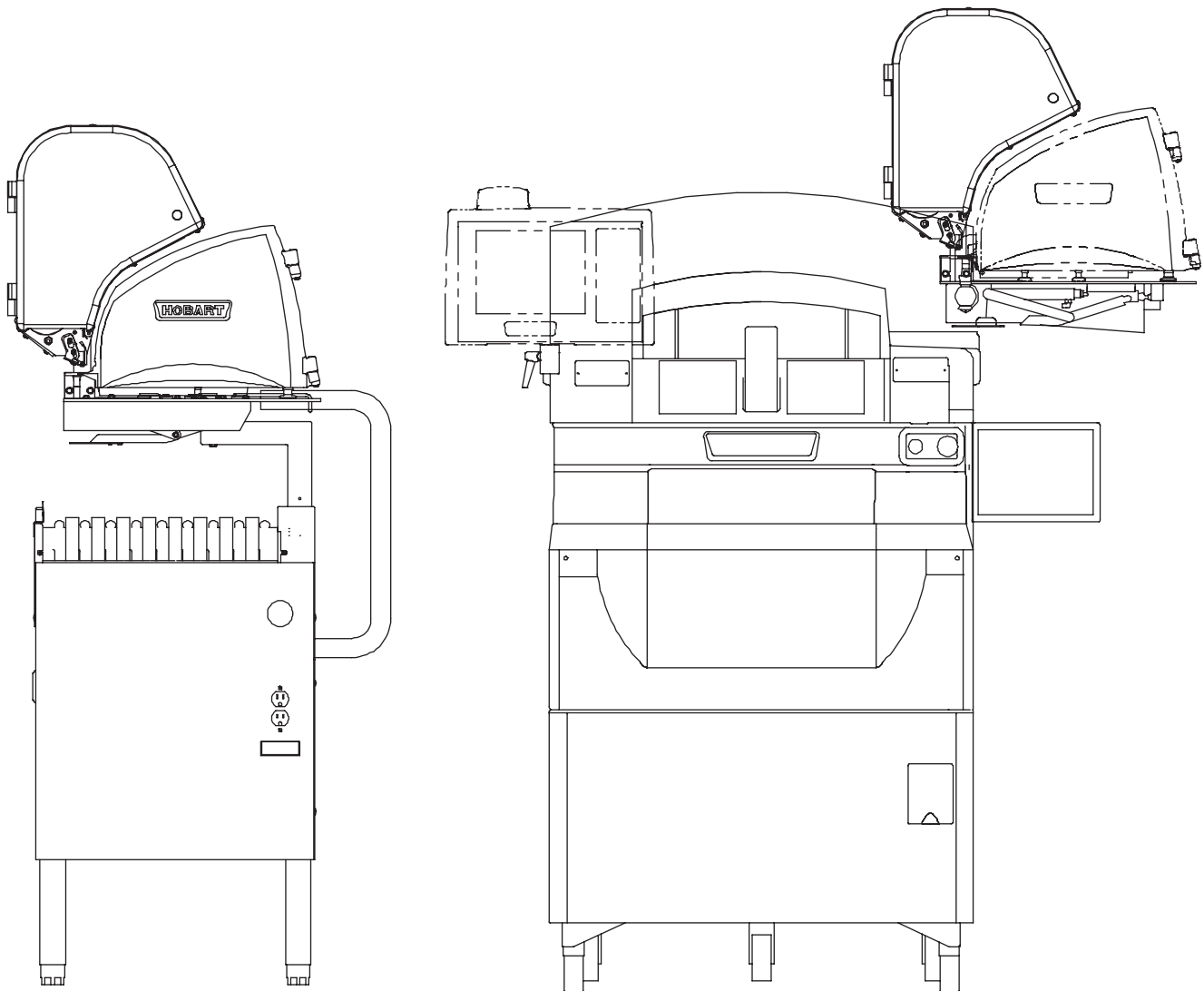
110 VAC, 60 Hz, 1 amp

SHIPPING WEIGHT:

25 lbs.

CONSTRUCTION:

Durable Kydex casing with stainless and aluminum components



SLA-5 shown with CLA and Access System

As continued product improvement is a policy of Hobart, specifications are subject to change without notice.