

**HOBART**701 S Ridge Avenue, Troy, OH 45374  
1-888-4HOBART • www.hobartcorp.com**SD100  
SERVICE SCALE****HOBART****STANDARD FEATURES**

- Customer ready file load includes 2 miscellaneous PLU's, 9 label formats and 1 custom safe handling logo
- Backlit LCD displays
- PLU, Group, and Operator Totals (printed on label stock)
- Weighing capability - 30 Lb. x 0.01
- Barcode types - EAN, UPC
- Up to 20 operators on the same network
- Cost saving "rewind" printer
- Up to 3,000 characters of text
- 400 character scrolling customer message
- 40 character product description
- COOL ready

**MODEL**

- SD100 – Service Scale

Specifications, Details and Dimensions on Inside and Back.

**SD100 FEATURES****Weigh Types**

- Wait on customer
- Production entry
- Prepackaged products

**Data Memory**

- Up to 6,000 PLUs, up to 5 custom logos

**Programmability**

- Manual entry with keypad or with optional DX50 software via USB or Ethernet communication

**Communications**

- Ethernet
- 2 USB ports

**Operators Console**

- 42 programable keys, 23 tactil keypad, audible beep, envelope pocket for custom overlays, wipe clean design
- Up to 20 operators from the same network

**Networking**

- Up to 10 scales

**OPTIONAL FEATURES**

- DX50 scale configuration software

**SD100 SERVICE SCALE**

# SD100 SERVICE SCALE




701 S Ridge Avenue, Troy, OH 45374  
1-888-4HOBART • www.hobartcorp.com

## LABEL EXAMPLES

 < 200001 608292 >			<b>Main market</b> <small>From us to you!</small>		
<b>DESCRIPTION DESCRIPTION</b>					
Packed On		KEEP REFRIGERATED		Sell By	
08-28-08		08-31-08		08-31-08	
Net Wt/Ct	Unit Price	Total Price			
0.83 lb	\$ 9.99	\$ 8.29			
HOBART CORP. TROY, OH 45374					

FORMAT 0, 1.75"L

 < 200002 608291 >			<b>Main market</b> <small>From us to you!</small>		
<b>DESCRIPTION DESCRIPTION</b>					
INGREDIENTS:					
Packed On		KEEP REFRIGERATED		Sell By	
08-28-08		08-31-08		08-31-08	
Net Wt/Ct	Unit Price	Total Price			
0.83 lb	\$ 9.99	\$ 8.29			
HOBART CORP. TROY, OH 45374					


FORMAT 1, 2.375"L

 < 200003 608290 >			<b>Main market</b> <small>From us to you!</small>		
<b>DESCRIPTION DESCRIPTION</b>					
<b>SAFE HANDLING INSTRUCTIONS</b>					
<small>THIS PRODUCT WAS PREPARED FROM INSPECTED AND PASSED MEAT AND/OR POULTRY. SOME FOOD PRODUCTS MAY CONTAIN BACTERIA THAT COULD CAUSE ILLNESS IF THE PRODUCT IS MISHANDLED OR COOKED IMPROPERLY. FOR YOUR PROTECTION, FOLLOW THESE SAFE HANDLING INSTRUCTIONS.</small>					
<small>KEEP REFRIGERATED OR FROZEN. THAW IN REFRIGERATOR OR MICROWAVE.</small>					
<small>KEEP RAW MEAT AND POULTRY SEPARATE FROM OTHER FOODS, WASH WORKING SURFACES (INCLUDING CUTTING BOARDS), UTENSILS, AND HANDS AFTER TOUCHING RAW MEAT OR POULTRY.</small>					
<small>KEEP HOT FOODS HOT. REFRIGERATE LEFTOVERS IMMEDIATELY OR DISCARD.</small>					
Packed On		KEEP REFRIGERATED		Sell By	
08-28-08		08-31-08		08-31-08	
Net Wt/Ct	Unit Price	Total Price			
0.83 lb	\$ 9.99	\$ 8.29			
HOBART CORP. TROY, OH 45374					


FORMAT 2, 3.00"L

 < 200004 405690 >			<b>Main market</b> <small>From us to you!</small>		
<b>DESCRIPTION DESCRIPTION</b>					
INGREDIENTS:					
Packed On		KEEP REFRIGERATED		Sell By	
08-28-08		08-31-08		08-31-08	
Net Wt/Ct	Unit Price	Total Price			
0.57 lb	\$ 9.99	\$ 5.69			
HOBART CORP. TROY, OH 45374					

FORMAT 3, 3.00"L

 < 200005 509991 >			<b>Main market</b> <small>From us to you!</small>		
<b>DESCRIPTION DESCRIPTION</b>					
INGREDIENTS:					
Packed On		KEEP REFRIGERATED		Sell By	
08-28-08		08-31-08		08-31-08	
Net Wt/Ct	Unit Price	Total Price			
1	\$ 9.99	\$ 9.99			
Net Wt 1 lb 0 oz (453 g)					
HOBART CORP. TROY, OH 45374					

FORMAT 4, 3.00"L


 < 200006 608297 >			<b>Main market</b> <small>From us to you!</small>		
<b>DESCRIPTION DESCRIPTION</b>					
INGREDIENTS:					
Packed On		KEEP REFRIGERATED		Sell By	
08-28-08		08-31-08		08-31-08	
Net Wt/Ct	Unit Price	Total Price			
0.83 lb	\$ 9.99	\$ 8.29			
HOBART CORP. TROY, OH 45374					

FORMAT 5, 4.50"L



701 S Ridge Avenue, Troy, OH 45374  
1-888-4HOBART • www.hobartcorp.com

# SD100 SERVICE SCALE



**Main market**  
From us To you!

DESCRIPTION  
DESCRIPTION  
INGREDIENTS:

100840004000  
110840004000  
120840004000  
130840004000  
140840004000  
150840004000  
160840004000  
170840004000  
180840004000  
190840004000  
200840004000  
210840004000  
220840004000  
230840004000  
240840004000  
250840004000  
260840004000  
270840004000  
280840004000  
290840004000  
300840004000  
310840004000  
320840004000  
330840004000  
340840004000  
350840004000  
360840004000  
370840004000  
380840004000  
390840004000  
400840004000  
410840004000  
420840004000  
430840004000  
440840004000  
450840004000  
460840004000

Net Wt/Ct	Unit Price	Total Price
1	\$ 9.99	\$ 9.99

**Net Wt 1 lb 0 oz (453 g)**

HOBART CORP.  
TROY, OH 45374

FORMAT 6, 4.50"L


### PORTRAIT FORMAT

- 2.25" x 1.75"
- 2.25" x 2.375"
- 2.25" x 3.00"
- 2.25" x 4.50"
- 2.25" x 6.00"
- 2.25" x Continuous

Other die cut lengths (between 1.57" x 6.3") can be custom ordered – contact your label supplier for price quote

### LANDSCAPE FORMAT

Contact your sales rep for more information



**Main market**  
From us To you!

DESCRIPTION  
DESCRIPTION  
INGREDIENTS

100840004000  
110840004000  
120840004000  
130840004000  
140840004000  
150840004000  
160840004000  
170840004000  
180840004000  
190840004000  
200840004000  
210840004000  
220840004000  
230840004000  
240840004000  
250840004000  
260840004000  
270840004000  
280840004000  
290840004000  
300840004000  
310840004000  
320840004000  
330840004000  
340840004000  
350840004000  
360840004000  
370840004000  
380840004000  
390840004000  
400840004000  
410840004000  
420840004000  
430840004000  
440840004000  
450840004000  
460840004000

**Net Wt 1 lb 0 oz (453 g)**

Packed On	KEEP REFRIGERATED	Sell By
08-28-08		08-31-08

Net Wt/Ct	Unit Price	Total Price
1	\$ 9.99	\$ 9.99

FORMAT 7, 6.00"L



**Main market**  
From us To you!

DESCRIPTION  
DESCRIPTION

LOT NUMBER: 789999 \* BORN IN: MEXICO  
\* RAISED IN: USA \* PROCESSED IN: USA.

**SAFE HANDLING INSTRUCTIONS**  
THIS PRODUCT WAS PREPARED FROM INSPECTED AND PASSED MEAT AND/OR POULTRY. SOME FOOD PRODUCTS MAY CONTAIN BACTERIA THAT COULD CAUSE ILLNESS IF THE PRODUCT IS MISHANDLED OR COOKED IMPROPERLY. FOR YOUR PROTECTION, FOLLOW THESE SAFE HANDLING INSTRUCTIONS.  
KEEP REFRIGERATED OR FROZEN. THAW IN REFRIGERATOR OR MICROWAVE.  
KEEP RAW MEAT AND POULTRY SEPARATE FROM OTHER FOODS. WASH WORKING SURFACES (INCLUDING CUTTING BOARDS), UTENSILS, AND HANDS AFTER TOUCHING RAW MEAT OR POULTRY.  
KEEP HOT FOODS HOT. REFRIGERATE LEFTOVERS IMMEDIATELY OR DISCARD.  
COOK THOROUGHLY

KEEP REFRIGERATED | Sell By  
08-31-2008

Net Wt/Ct	Unit Price	Total Price
0.85 lb	\$ 9.99	\$ 8.49

FORMAT 8, 3.50"L

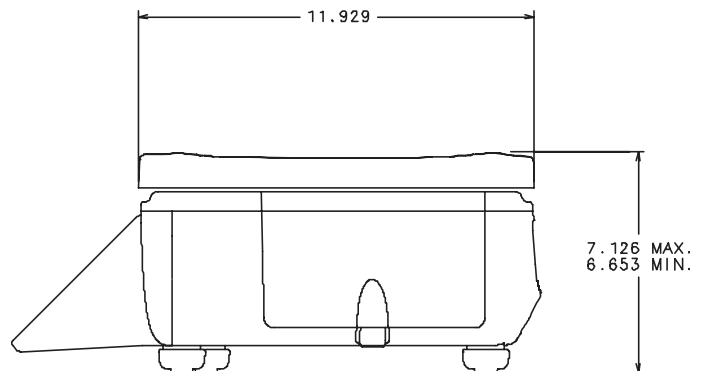
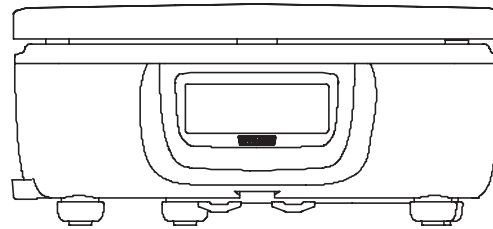
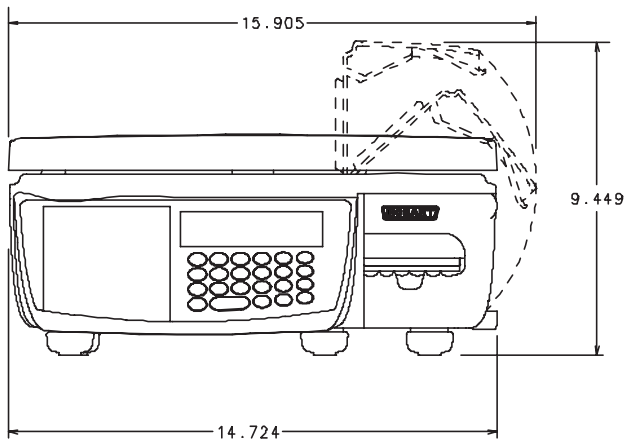
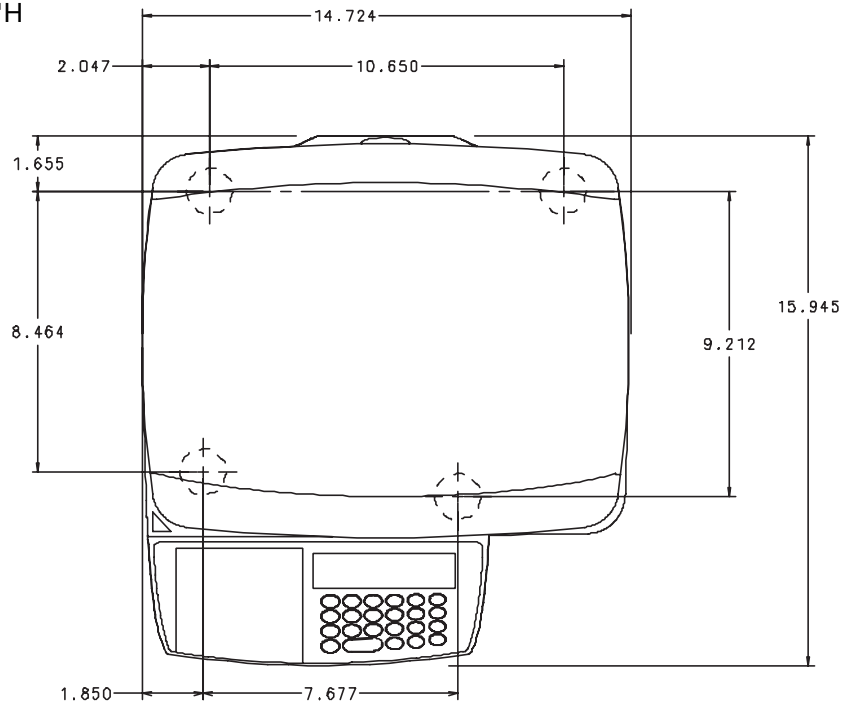
# SD100 SERVICE SCALE



701 S Ridge Avenue, Troy, OH 45374  
1-888-4HOBART • www.hobartcorp.com

## DETAILS AND DIMENSIONS

15.94"L x 14.88"W x 6.3"H



**NOTE:**

1. ELECTRICAL SPECIFICATIONS: 120 VOLTS, 60 HERTZ, 1 PHASE.
2. SHIPPING WEIGHT: 20 LBS.

As continued product improvement is a policy of Hobart, specifications are subject to change without notice.