

**HOBART**701 S Ridge Avenue, Troy, OH 45374  
1-888-4HOBART • www.hobartcorp.com**PS40  
SCALE****HOBART****STANDARD FEATURES**

- Simple touch key operation with audible “beep” response
- Bright backlit displays
- Up to 50 programmable keys; 12 direct, 38 indirect
- Wipe clean keypad
- Stainless steel platter
- NSF approved
- Legal for trade
- Rechargeable battery with power cord (up to 80 hour battery life)
- Ships pre-calibrated to end user

**MODELS**

- PS40-1
- PS40-2 – includes Security Seal

Specifications, Details and Dimensions on Inside and Back.



PS40-1

**PS40 SCALE**

# PS40 SCALE

# HOBART

701 S Ridge Avenue, Troy, OH 45374  
1-888-4HOBART • www.hobartcorp.com

## SPECIFICATIONS

**CAPACITY:** 30 lbs. x 0.01 lbs.

**SCALE HOUSING:** 13.9"W x 13"D x 4.9"H.

**PLATTER:** Stainless Steel, 12.8"L x 9.6"W.

**DISPLAY:** Backlit LCD displays, front and back; .75" high digits (20 mm); displays unit weight, unit price, and total price in 6 digit increments.

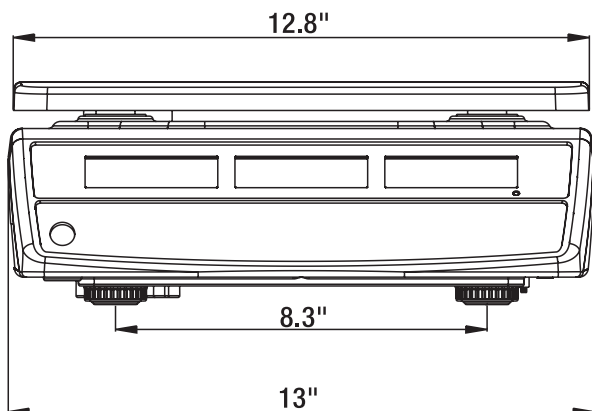
**KEYBOARD:** Membrane wipe down keyboard with audio feedback.

**ELECTRICAL:** AC plug in adaptor: Input 100-240V; Battery operation via 6V 4amp sealed rechargeable battery.

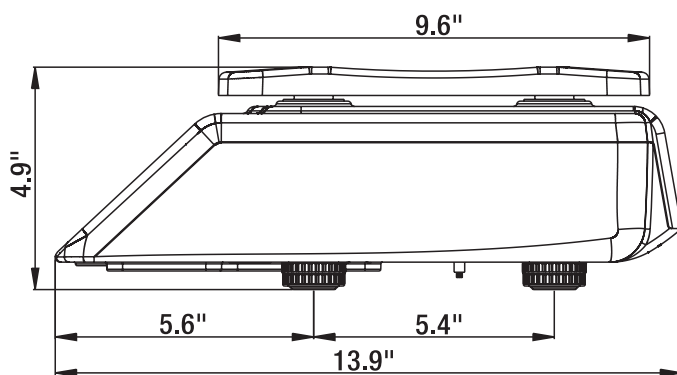
**OPERATING RANGE:** 14°F to 104°F; -10°C to +40°C.

**WEIGHT:** Net: 9.3 lbs., Shipping: 15 lbs.

## DETAILS AND DIMENSIONS



PS40-1 Front View



PS40-1 Side View

As continued product improvement is a policy of Hobart, specifications are subject to change without notice.