

**HOBART**701 S Ridge Avenue, Troy, OH 45374  
1-888-4HOBART • www.hobartcorp.com**LXiG  
GLASSWASHER****HOBART****STANDARD FEATURES**

- 30 racks per hour
- .74 gallons of water per rack
- Hot water or chemical sanitation units available
- Low chemical alert indicator
- Sense-A-Temp™ booster heater capable of 70° rise, provided on LXiGH models
- Delime notification with cycle
- Chemical pump “auto-prime”
- Service diagnostics
- Fresh water rinse
- 16 gauge stainless steel tank
- Microcomputer, top mounted controls with digital cycle/temperature display
- Revolving upper and lower anti-clogging wash arms
- Revolving upper and lower rinse arms
- Removable stainless steel scrap screen
- Corrosion resistant pump
- Automatic pumped drain
- 12" door opening
- Automatic fill
- Labyrinth-type door seal
- Electric tank heat
- Two dishracks – one peg and one combination-type
- Detergent and rinse aid pumps

**STANDARD VOLTAGES**

- 120/60/1 (LXiGC model only)
- 120/208-240(3W)/60/1

**VOLTAGE OPTIONS AT EXTRA COST**

- 208-240(2W)/60/1

**ACCESSORIES**

- Power cord kits
- Pressure regulator valve
- Caster assembly kit
- Trim kit, top cover
- Rolled top, dish rack holder
- DWT2 drain water tempering kit

Specifications, Details and Dimensions on Back.

**LXiG GLASSWASHER**

# LXiG GLASSWASHER



701 S Ridge Avenue, Troy, OH 45374  
1-888-4HOBART • www.hobartcorp.com

**WARNING:**

REQUIRED FLOWING WATER PRESSURE TO THE GLASSWASHER IS 20 ± 5 PSIG. IF PRESSURES HIGHER THAN 25 PSIG ARE PRESENT, A PRESSURE REGULATING VALVE MUST BE INSTALLED IN THE WATER LINE TO THE GLASSWASHER (BY OTHERS).

IMPORTANT: THE SODIUM HYPOCHLORITE (LIQUID BLEACH) CONTAINER SHOULD BE PLACED NO HIGHER THAN 10" ABOVE FLOOR.

IF BLEACH CONTAINER IS TO BE PLACED IN CABINET ADJACENT TO GLASSWASHER, A 1/2" DIA. HOLE IS REQUIRED IN THE CABINET TO RUN BLEACH SUPPLY LINE.

USE ONLY 6% SODIUM HYPOCHLORITE (LIQUID BLEACH) AS SANITIZING CHEMICAL TO INSURE PROPER OPERATION OF DISHMACHINE. IF 8.4% IS TO BE UTILIZED, CONTACT HOBART SERVICE TO CHANGE THE SANITIZER PUMP SETTINGS.

DO NOT PRE-MIX WETTING AGENT AND SODIUM HYPOCHLORITE (LIQUID BLEACH).

CERTAIN MATERIALS INCLUDING SILVER PLATE, ALUMINUM AND PEWTER ARE ATTACKED BY SODIUM HYPOCHLORITE (LIQUID BLEACH). SEE INSTRUCTION MANUAL.

**NOTES:**

1. ALL VERTICAL MACHINE DIMENSIONS TAKEN FROM FLOOR MAY BE INCREASED BY 1".
2. **MOIST AIR ESCAPES FROM THE DOOR. USE ONLY MOISTURE RESISTANT MATERIALS ADJACENT TO LXiG SIDES AND TOP.**
3. A VENT HOOD IS NOT RECOMMENDED ABOVE THE LXiG UNDERCOUNTER GLASSWASHER SINCE IT DOES NOT PRODUCE EXCESSIVE VAPORS

**PLUMBING NOTES:**

1. WATER HAMMER ARRESTOR (MEETING ASSE-1010 STANDARD OR EQUIVALENT) TO BE SUPPLIED (BY OTHERS) IN COMMON WATER SUPPLY LINE AT SERVICE CONNECTION.
  2. RECOMMENDED WATER HARDNESS TO BE 4-6 GRAINS FOR BEST RESULTS.
  3. MINIMUM WATER CONDUCTIVITY REQUIRED - 30 MICRO-MHOS/CM.
4. IF DRAIN HOSE IS LOOPED ABOVE A SINK, THE LOOP MUST NOT EXCEED 38" AFF.

**WARNING**

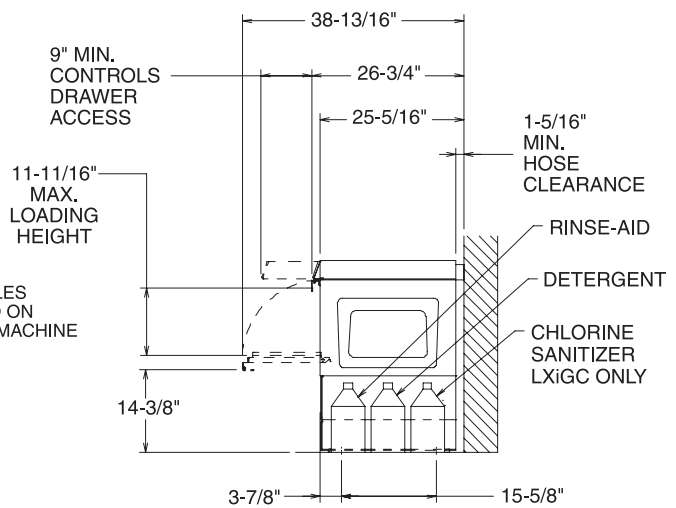
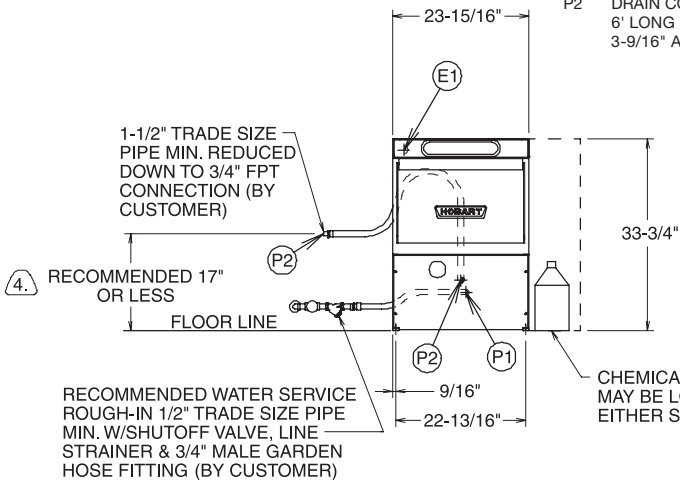
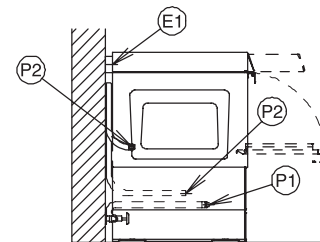
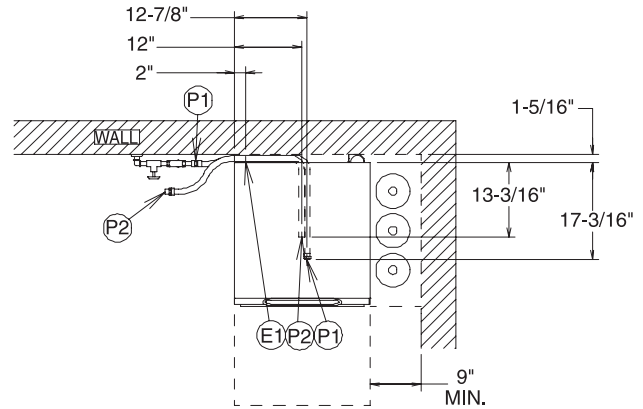
ELECTRICAL AND GROUNDING CONNECTIONS MUST COMPLY WITH THE APPLICABLE PORTIONS OF THE NATIONAL ELECTRICAL CODE AND/OR OTHER LOCAL ELECTRICAL CODES.

PLUMBING CONNECTIONS MUST COMPLY WITH APPLICABLE SANITARY, SAFETY AND PLUMBING CODES. DRAIN AND FILL LINE CONFIGURATIONS VARY, SOME METHODS ARE SHOWN ON THIS DRAWING.

**CONNECTION INFORMATION  
(AFF = ABOVE FINISHED FLOOR)**

**LEGEND**

- E1 ELECTRICAL CONNECTION: 1-3/8" DIA. HOLE FOR 1" TRADE SIZE CONDUIT; 31-3/4" AFF.
- P1 SINGLE FILL AND RINSE CONNECTION: 3/4" FEMALE GARDEN HOSE FITTING ON 6' LONG HOSE SUPPLIED WITH MACHINE; 140°F WATER MIN. FOR LXiGC, 110°F WATER MIN. FOR LXiGH, 1-1/2" AFF.
- P2 DRAIN CONNECTION: 3/4" MPT FITTING WITH 6' LONG HOSE SUPPLIED WITH MACHINE; 3-9/16" AFF.



MACHINE TYPE & SPECIFICATION	RATED AMPS	MIN SUPPLY CKT CONDUCT AMPACITY	MAX PROTECTIVE DEVICES
LXiGC (120/60/1) USE 90°C STRANDED COPPER WIRE ONLY.	15.4	20	20
LXiGC (120/208-240(3W)/60/1*) LXiGC (208-240/60/1) USE 90°C STRANDED COPPER WIRE ONLY.	13.6	20	20
LXiGH (120/208-240(3W)/60/1*) LXiGH (208-240/60/1) USE 90°C STRANDED COPPER WIRE ONLY.	37.7	50	50
ELECTRICAL OPTIONS BELOW ARE NON STANDARD VOLTAGES AVAILABLE AT EXTRA COST. CONSULT FACTORY FOR PRICING AND LEAD TIME.			
LXiGH 208-240/60/3	29.5	35	35
480/60/3	14.8	20	20
220-240/50/1	38.1	50	50
380-400/60/3	17.1	25	25

\* THIS SYSTEM REQUIRES THREE POWER WIRES WHICH INCLUDES A CURRENT CARRYING NEUTRAL, AN ADDITIONAL FOURTH WIRE MUST BE PROVIDED FOR MACHINE GROUND.

ACCESSORY CORD KITS AVAILABLE FOR ALL MACHINES

SHIPPING WEIGHTS (LBS)	LXiGC	LXiGH
NET WEIGHT OF MACHINE	194 lbs.	214 lbs.
DOMESTIC SHIPPING WEIGHT	239 lbs.	259 lbs.

MODELS:  
LXiGC, LXiGH  
892881

As continued product improvement is a policy of Hobart, specifications are subject to change without notice.