

HOBART701 S Ridge Avenue, Troy, OH 45374
1-888-4HOBART • www.hobartcorp.com**KA7EVH
VENTLESS HOOD****HOBART****STANDARD FEATURES**

- Eliminates need for conventional hood over model KA7E rotisserie oven
- Air movement 200 CFM, loudness 50 dB
- Automatic mode for energy savings – hood blower turns off after oven has been idle for 30 minutes
- Three stage filtration
- Yellow signal light alerts operator to replace clogged filters
- Interlock circuit automatically stops oven heating if hood error occurs
- For use over single or double stacked ovens
- Field mountable

ACCESSORIES

- Hood kit (mandatory accessory) for mounting hood to KA7E
- Stacking kit (mandatory accessory) for mounting hood over double stacked KA7E's
- Grease baffle filter
- HEPA filter
- Charcoal filter

MODEL

- KA7EVH

Specifications, Details and Dimensions on Inside and Back.

LISTED
ETL Listed to
UL710B & NFPA 96

STANDARD 2

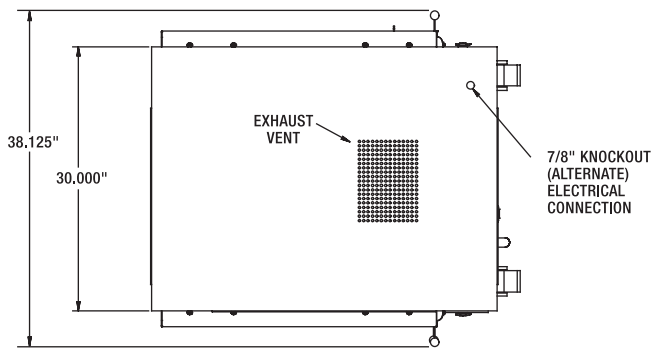
LISTED
COOKING APPLIANCE
WITH INTEGRAL SYSTEMS
FOR LIMITING THE EMISSIONS
OF GREASE LADEN AIR
EPA 202**KA7EVH VENTLESS HOOD**

KA7EVH VENTLESS HOOD

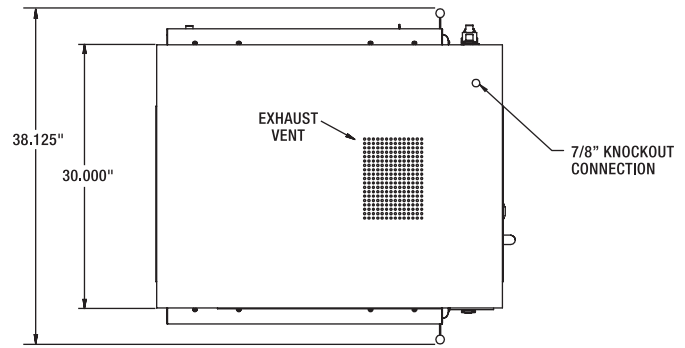


701 S Ridge Avenue, Troy, OH 45374
1-888-4HOBART • www.hobartcorp.com

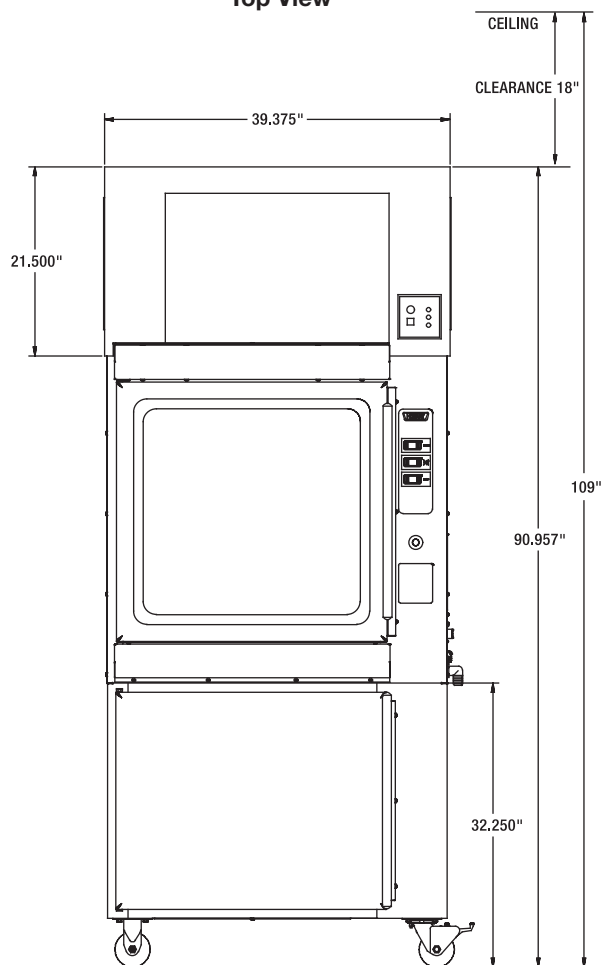
DETAILS AND DIMENSIONS



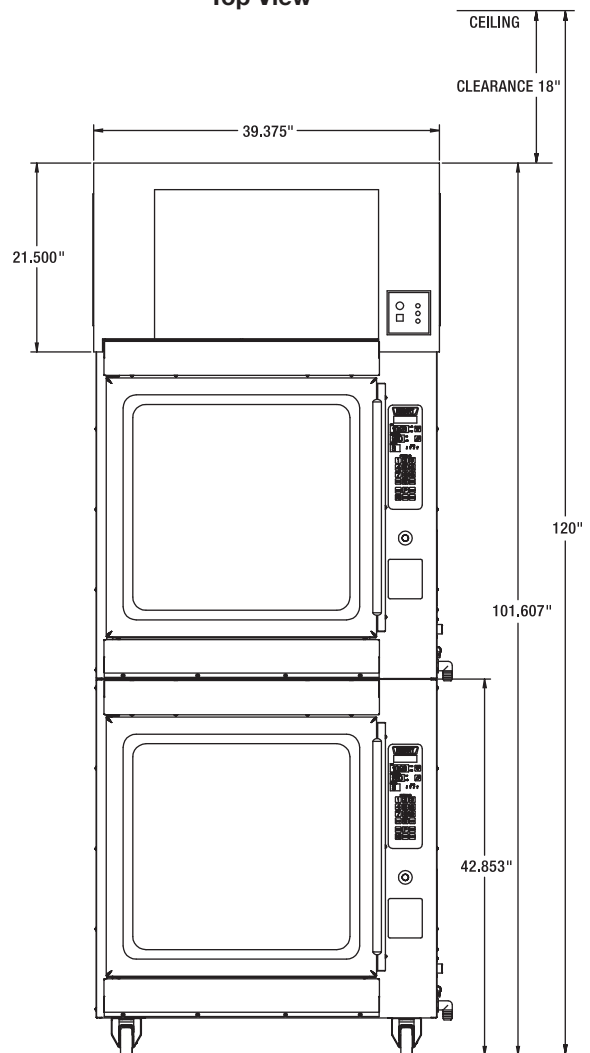
Top View



Top View



Front View KA7EVH shown on KA7E with stand accessory and hood kit accessory



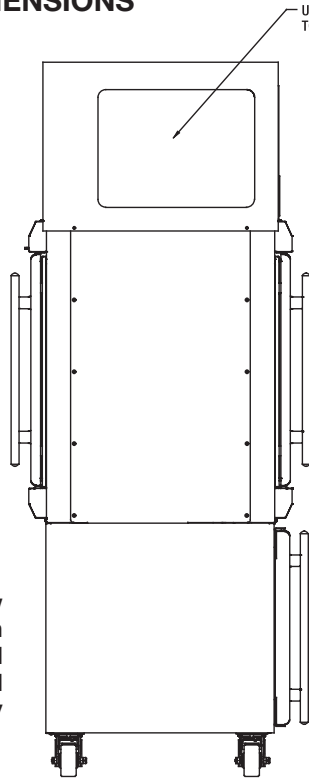
Front View KA7EVH shown on KA7E/KA7E with stacking kit accessory



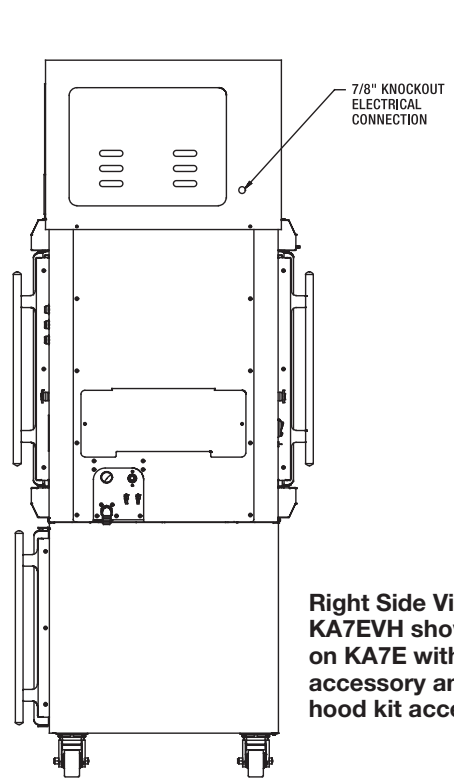
701 S Ridge Avenue, Troy, OH 45374
1-888-4HOBART • www.hobartcorp.com

KA7EVH VENTLESS HOOD

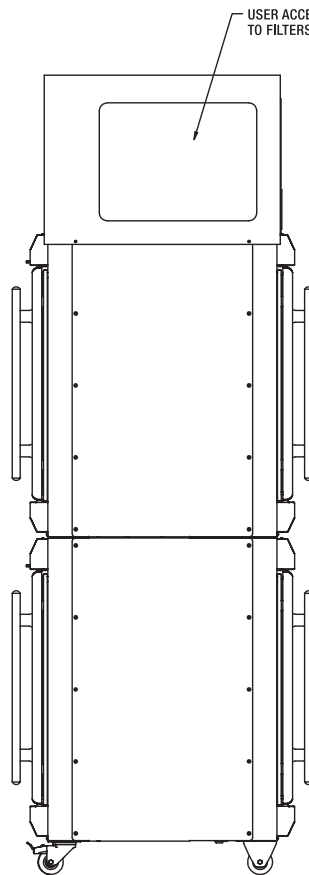
DETAILS AND DIMENSIONS



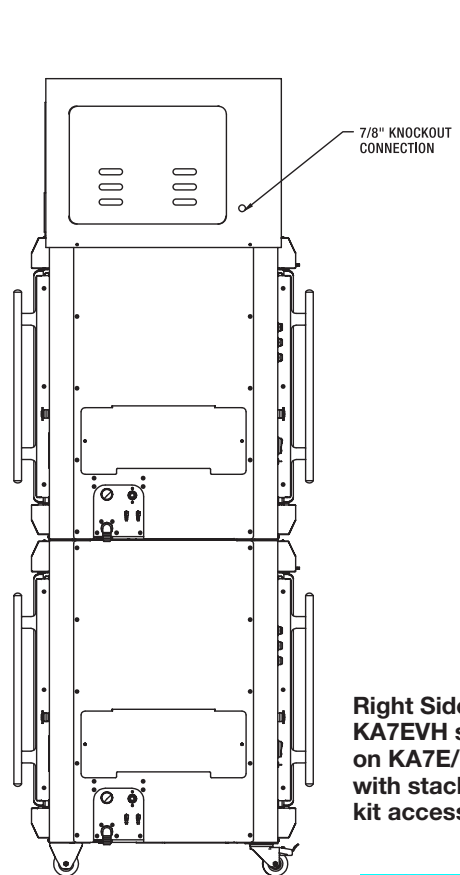
Left Side View
KA7EVH shown
on KA7E with stand
accessory and
hood kit accessory



Right Side View
KA7EVH shown
on KA7E with stand
accessory and
hood kit accessory



Left Side View
KA7EVH shown
on KA7E/KA7E
with stacking
kit accessory



Right Side View
KA7EVH shown
on KA7E/KA7E
with stacking
kit accessory

KA7EVH VENTLESS HOOD



701 S Ridge Avenue, Troy, OH 45374
1-888-4HOBART • www.hobartcorp.com

MODEL NO.	AMPERAGE	ELECTRICAL	NET WT. LBS.	APPROX. SHIPPING WT. LBS.
KA7EVH hood	15	120/60/1	125	175

Line cord not included

MODEL NO.	WIDTH	DEPTH (INCLUDES HANDLES)	HEIGHT	MINIMUM CEILING HEIGHT
KA7EVH hood	39.375"	30"	21.5"	N/A
KA7EVH mounted on KA7E with 4" legs	39.375"	38.125"	62.707"	81"
KA7EVH mounted on KA7E with stand	39.375"	38.125"	90.957"	109"
KA7EVH mounted on KA7E/KA7E	39.375"	38.125"	101.607"	120"

LISTINGS:

This hood is ETL Listed to Standard UL-710B and EPA test method 202 when installed in accordance with these installation instructions and National Fire Protection Association Standard "NFPA 96, Standard for Ventilation Control and Fire Protection of Commercial Cooking Operations."

This product is not provided with an integral fire extinguishing system. Authorities having jurisdiction should be consulted as to the requirement for this equipment with respect to fire extinguishing systems, such as the need for a field installed system in accordance with NFPA 96.

This hood is NSF Certified to NSF/ANSI Standard 2.

INSTALLATION REQUIREMENTS:

The KA7EVH ventless hood must be interlocked with oven using hood kit accessory, or stacking kit accessory.

CLEARANCES:

- 18" to ceiling.
- Allow adequate left side clearance to access filters in hood.
- Rotisserie may require right side clearances for plumbing connections. See KA7E specifications.

As continued product improvement is a policy of Hobart, specifications are subject to change without notice.