

HOBART701 S Ridge Avenue, Troy, OH 45374
1-888-4HOBART • www.hobartcorp.com**HWS-4
HAND-WRAP STATION****HOBART****STANDARD FEATURES**

- Flexible Set-Up
- Heavy-Duty Control Panel Support Assembly
- Easy to Load Film
- 20" Film Capacity
- Fingertip Film Selection
- Low Temperature Film Cut-Off System
- Angled Hot Plate Casting
- Stainless Steel Element
- Heavy-Duty 300 Series Stainless Steel Stand Assembly
- Open Scale Area
- Operates in All Ambient Temperatures

ACCESSORIES

- POST-LGSP** – Post Assembly – Long for Speed Pak
- CP-SUPPRT** – Control Panel Support and Item Look-Up Display Stand
- HWS-WRAPAD** – Hand Wrap Station Aid

**MODEL**

- HWS-4 – Hand-Wrap Station

Specifications, Details and Dimensions on Inside and Back.

**HLXP-1 Hand-Wrap System with Color Touch Screen****Access Scale Hand-Wrap System with Color Touch Screen****Quantum Scale System w/HWS-4 Hand-Wrap Station****HWS-4 HAND-WRAP STATION**

HWS-4 HAND-WRAP STATION

HOBART

701 S Ridge Avenue, Troy, OH 45374
1-888-4HOBART • www.hobartcorp.com

SPECIFICATIONS

CONSTRUCTION: Heavy-duty stainless steel frame.
36 $\frac{1}{4}$ " H x 27"W x 27"D. Shelf 22"W x 22 $\frac{5}{8}$ "D.

HOT PLATE: Teflon covered, eliminates package sticking,
prevents film residue buildup. 6"D x 14"W.

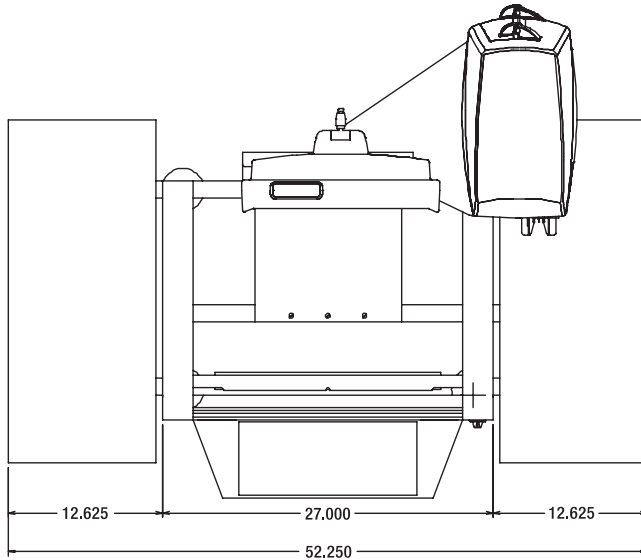
FILM HOLDERS: Two roll film selector. Capacity 10"
diameter x 20" maximum.

ELECTRICAL: 120 Volts, 60 Hertz, single phase, 8.5 Amps.

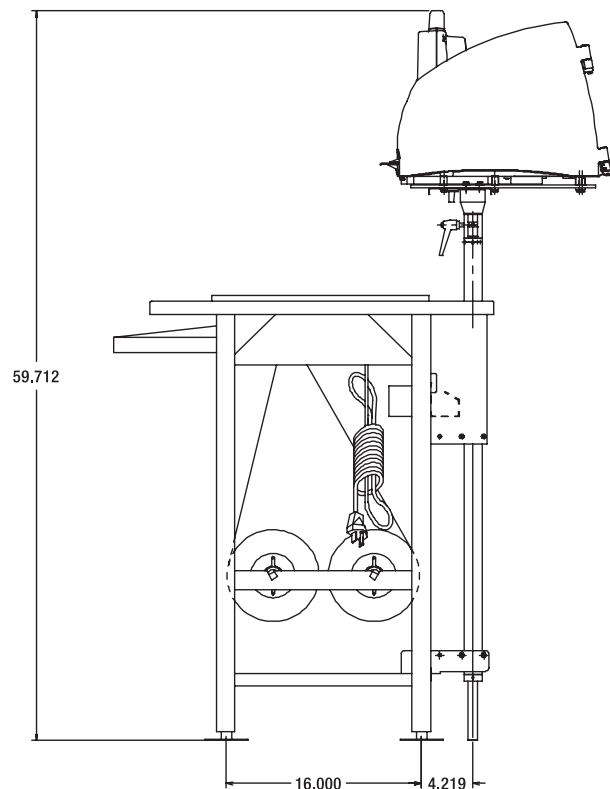
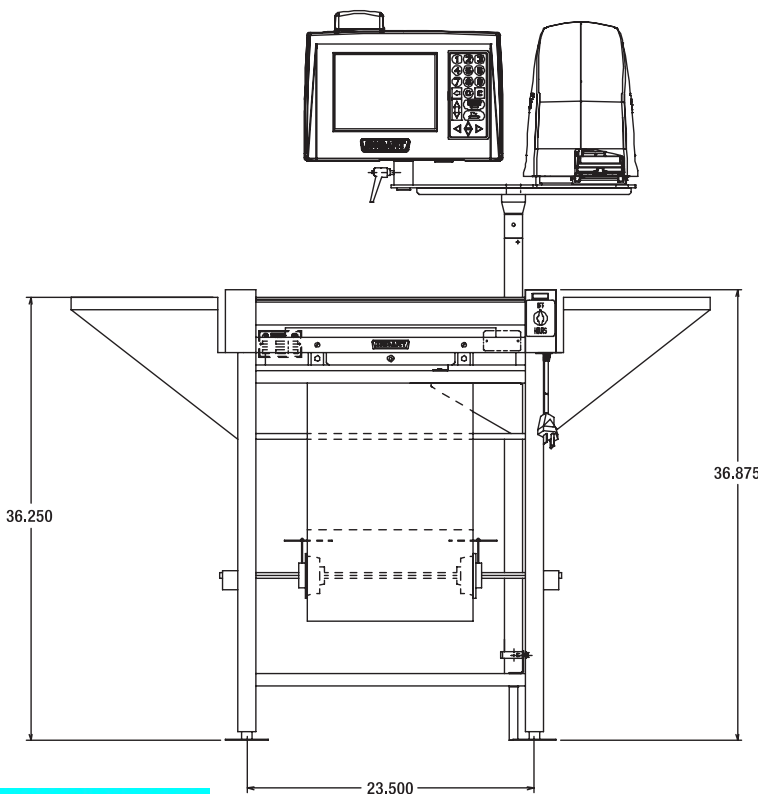
SHIPPING WEIGHT: HWS – approximately 90 lbs.;
POST-LGSP – 4 lbs.; CP-SUPPRT – 10 lbs.;
HWS-WRAPAD – 8 lbs.

**NOTE: SCALE AND PRINTER MUST BE ORDERED
SEPARATELY.**

DETAILS AND DIMENSIONS



Access Hand-Wrap System

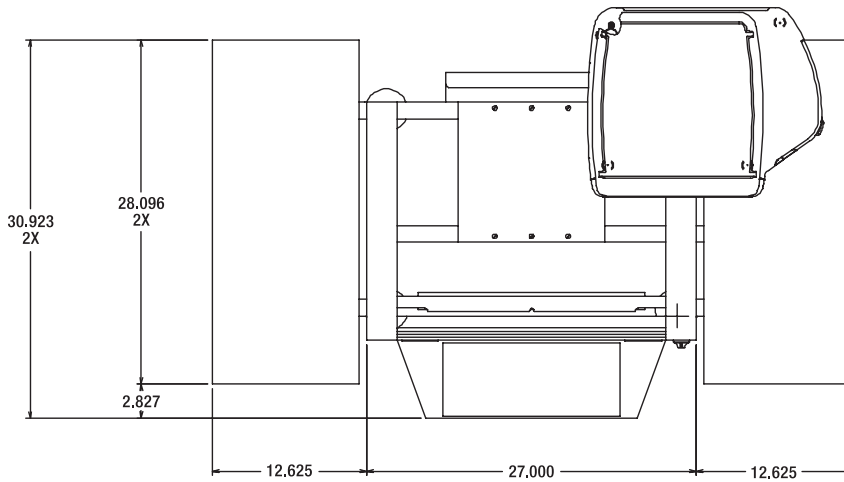




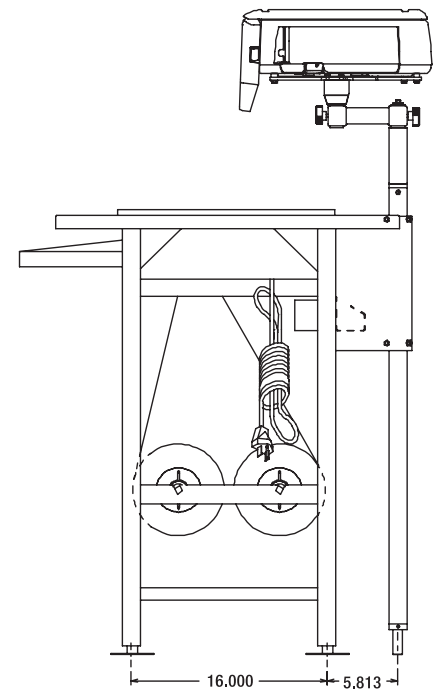
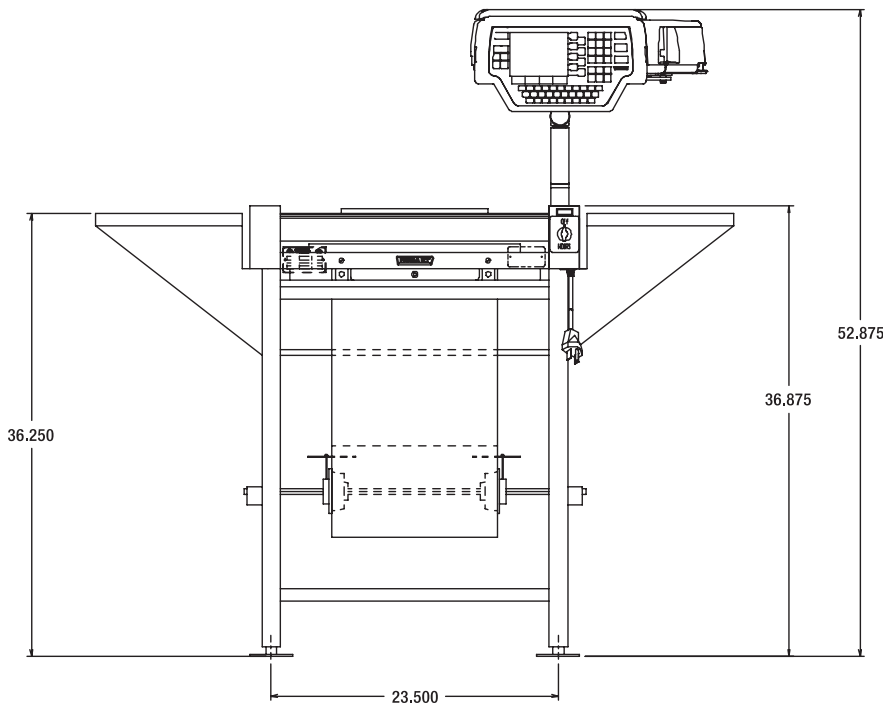
701 S Ridge Avenue, Troy, OH 45374
1-888-4HOBART • www.hobartcorp.com

HWS-4 HAND-WRAP STATION

DETAILS AND DIMENSIONS



Quantum Hand-Wrap System

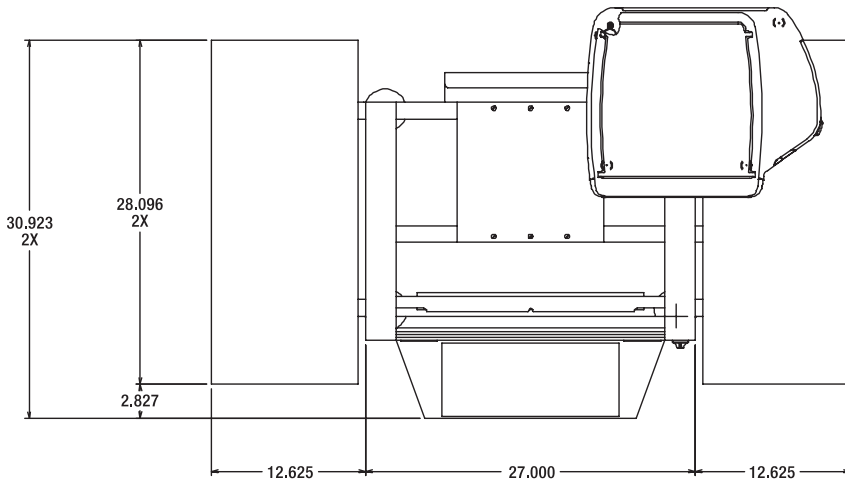


HWS-4 HAND-WRAP STATION

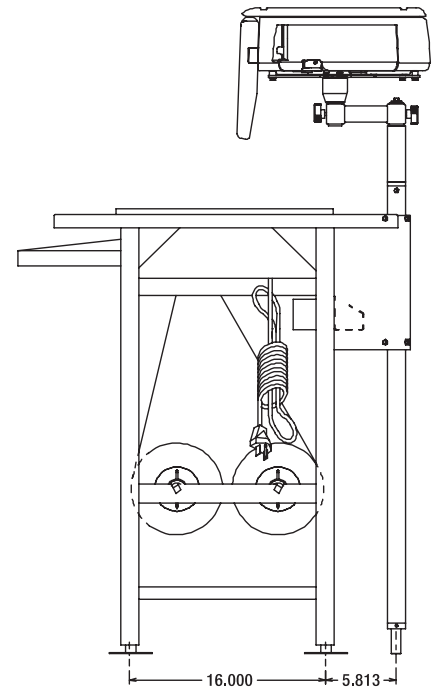
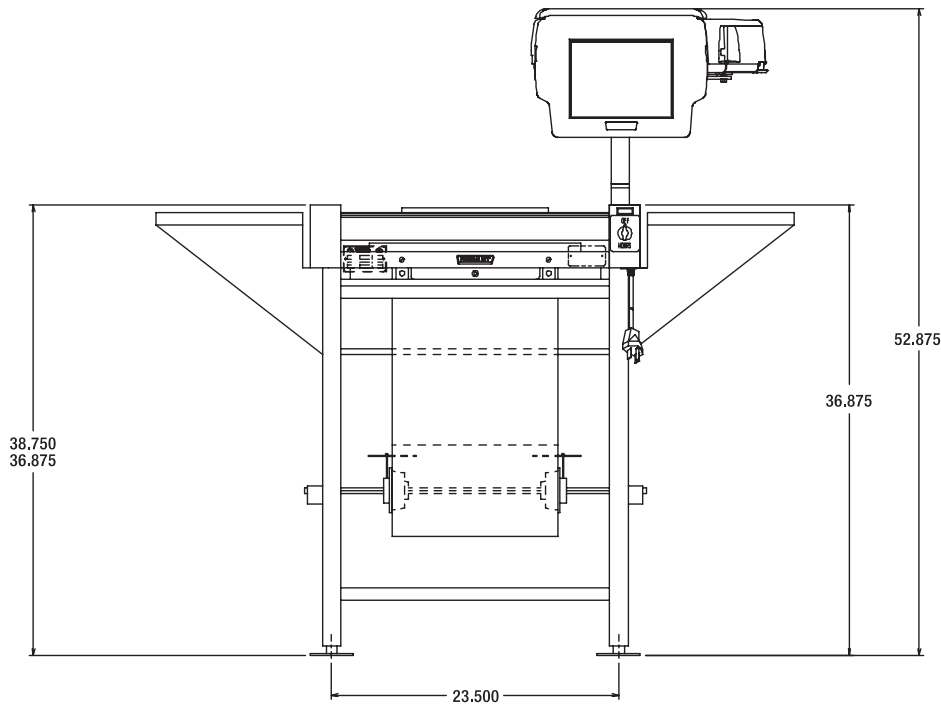


701 S Ridge Avenue, Troy, OH 45374
1-888-4HOBART • www.hobartcorp.com

DETAILS AND DIMENSIONS



HLXP-1 Hand-Wrap System



As continued product improvement is a policy of Hobart, specifications are subject to change without notice.