

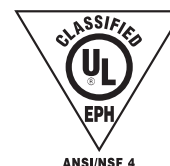
HOBART701 S Ridge Avenue, Troy, OH 45374
1-888-4HOBART • www.hobartcorp.com**HRE SERIES
ELECTRIC ROTARY OVEN****HOBART****STANDARD FEATURES**

- Easy to Use Programmable Controls – up to 99 Programs
- 4 Stage Cooking
- NAFEM Protocol Controls
- Large Curved, Tempered Glass Door
- Double Pane Glass
- Solid Back
- Modular Construction
- Single or Individual Connections
- Removable Rotors, Spits and Drip Trays
- Convection and Radiant Heat – Plus Self Basting Action
- Stainless Steel Interior
- Stainless Steel Exterior

MODEL

- HR5E** – Single Section; 15-20 Chicken Capacity
- HR7E** – Single Section; 28-35 Chicken Capacity

Specifications, Details and Dimensions on Inside and Back.

**OPTIONS**

- Double Pane Hinged Glass Back (Customer Side)
- Non-Stick Coated Interior
- Load/Unload Push Button (Customer Side)

ACCESSORIES

(Must be ordered separately – all models shipped without spits)

HR5E:

- 5 Spits
- 5 V-Spits
- 5 Baskets
- 5 Three Position Chicken Racks
- Stacking Kit
- 4" Legs

HR7E:

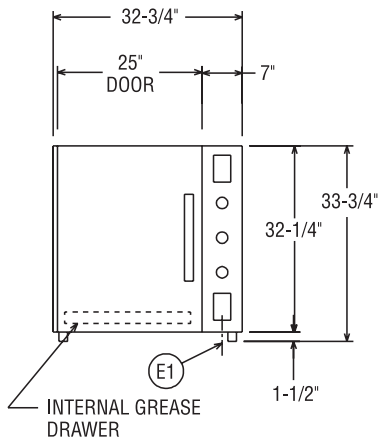
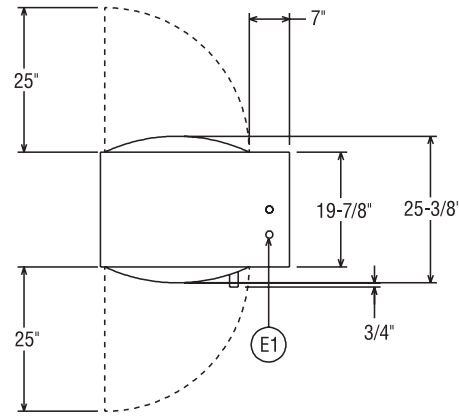
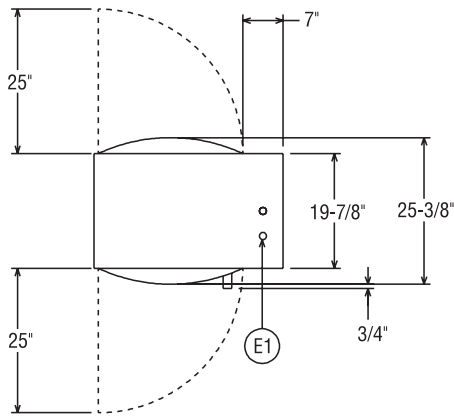
- 7 Spits
- 7 V-Spits
- 7 Baskets
- 7 ThermoWave Spits
- 7 Four Position Chicken Racks
- 7 Five Position Chicken Racks
- Stand
- Handle Kit, Stand
- Handle Kit, Customer Door
- 4" Legs
- Stacking Kit
- Stacking Kit - Low Profile
- Low Profile Casters
- Spit Rack 7 x 2

**HRE SERIES ELECTRIC ROTARY OVEN**

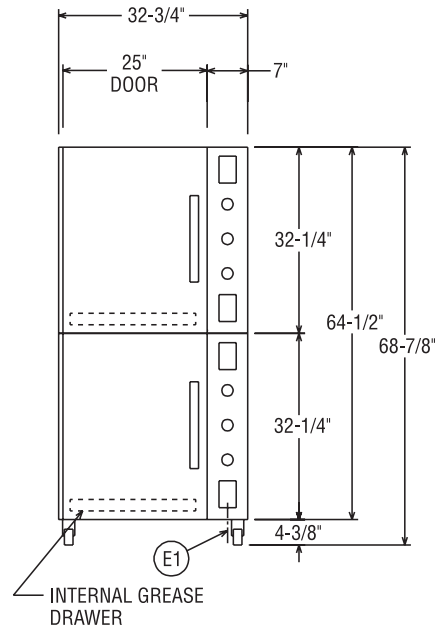
HRE SERIES ELECTRIC ROTARY OVEN

HOBART

701 S Ridge Avenue, Troy, OH 45374
1-888-4HOBART • www.hobartcorp.com



HR5E ROTISSERIE



HR5E ROTISSERIE with HR5E ROTISSERIE
USING STACKING KIT ACCESSORY

DIMENSIONS, WITHOUT LEGS OR CASTERS AND WEIGHTS:

MODEL	DEPTH	WIDTH	HEIGHT	NET WT.	SHIPPING WT.
HR5E	25 ³ / ₈ "	32 ³ / ₄ "	32 ¹ / ₄ "	280 lbs.	335 lbs.
HR7E	33 ¹ / ₄ "	38 ⁷ / ₈ "	38 ³ / ₈ "	410 lbs.	465 lbs.

STACKED MODELS DIMENSIONS WITH CASTERS:

MODEL	DEPTH	WIDTH	HEIGHT	TYPE
HR5E + HR5E	25 ³ / ₈ "	32 ³ / ₄ "	68 ⁷ / ₈ "	STANDARD STACKING KIT
HR7E + HR7E	33 ¹ / ₄ "	38 ⁷ / ₈ "	81 ¹ / ₈ "	STANDARD STACKING KIT
HR7E + HR7E	33 ¹ / ₄ "	38 ⁷ / ₈ "	77 ¹ / ₄ "	LOW PROFILE STACKING KIT

CASTER CONFIGURATION

Standard Stacking Kit: 2 rigid side to side casters on left; 2 locking swivel casters on right

Low Profile Stack Kit: 4 rigid front to back casters

Packaging - Processing

Bid on Equipment

1-847-683-7720

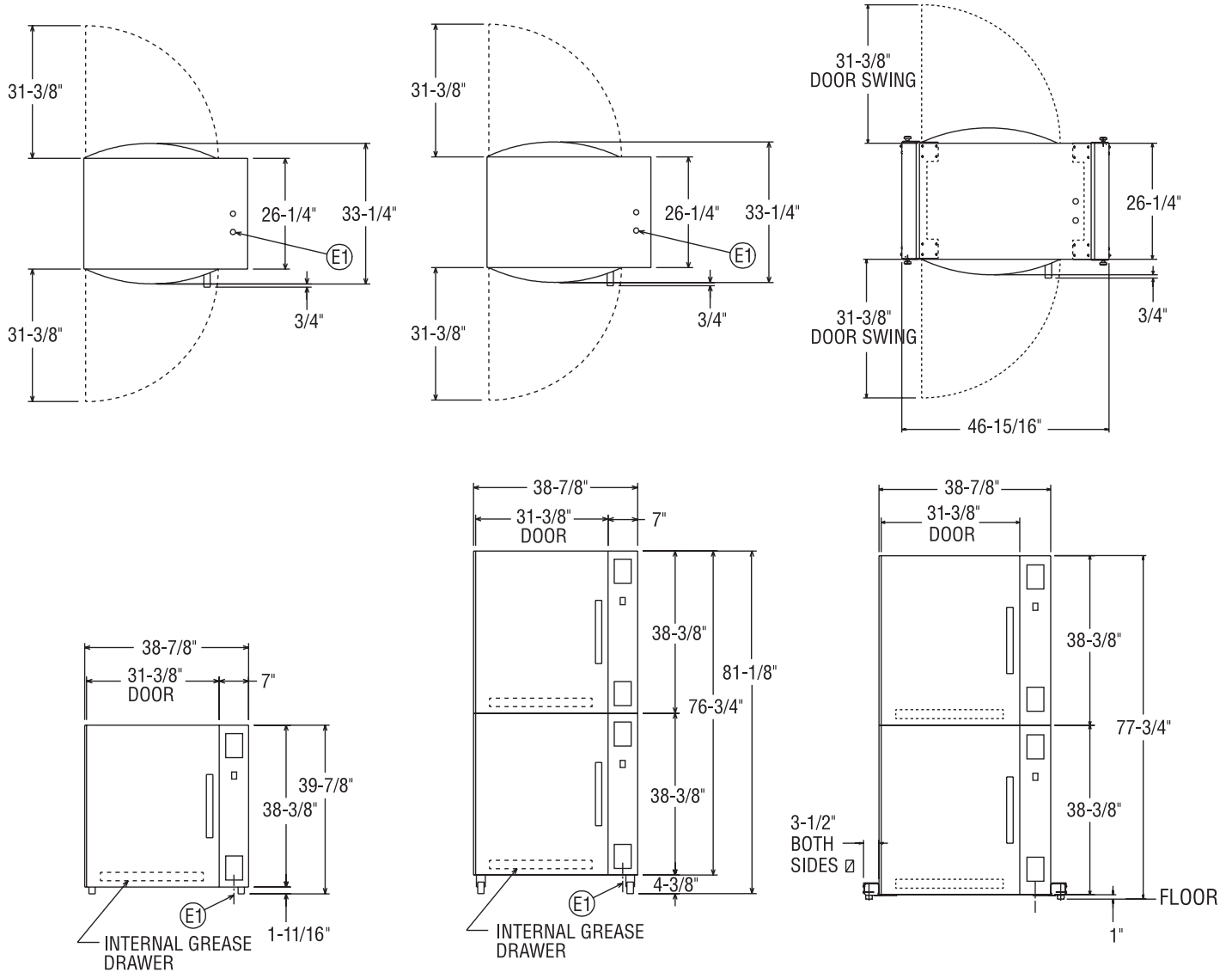
www.bid-on-equipment.com

F-40096 – HRE Series Electric Rotary Oven



701 S Ridge Avenue, Troy, OH 45374
1-888-4HOBART • www.hobartcorp.com

HRE SERIES ELECTRIC ROTARY OVEN



HR7E ROTISSERIE

HR7E ROTISSERIE with HR7E ROTISSERIE
USING STACKING KIT ACCESSORY

HR7E ROTISSERIE with HR7E ROTISSERIE
USING LOW PROFILE STACKING
KIT ACCESSORY

(E1) ELECTRICAL:

50/60 HZ		HR5E		HR5E/HR5E STACKED MODELS USING SINGLE POINT CONNECTION		HR7E		HR7E/HR7E STACKED MODELS USING SINGLE POINT CONNECTION	
VOLTAGE	PHASE	WATTAGE	AMPERAGE	WATTAGE	AMPERAGE	WATTAGE	AMPERAGE	WATTAGE	AMPERAGE
208	1	6,000	26.9	12,000	53.8	9,300	42.8	N/A†	N/A†
240	1	6,000	25.0	12,000	50.0	9,300	38.8	N/A†	N/A†
208	3	6,000	15.5	12,000	31.0	9,300	24.7	18,600	49.4
240	3	6,000	14.4	12,000	28.8	9,300	22.4	18,600	44.8
220/380(4W)	3	6,000	8.4	12,000	16.8	9,300	12.9	18,600	25.8
230/400(4W)	3	6,000	8.7	12,000	17.4	9,300	13.4	18,600	26.9
240/415(4W)	3	6,000	9.0	12,000	18.0	9,300	14.1	18,600	28.2

Stacked units can be wired independently or can be wired with single point connection using the stacking kit accessory.
†Single point connection is not available for stacked HR7E/HR7E 1 phase units.
Full load amps measured at regulated voltage input.

HRE SERIES ELECTRIC ROTARY OVEN



701 S Ridge Avenue, Troy, OH 45374
1-888-4HOBART • www.hobartcorp.com

SPECIFICATIONS:

CAPACITY: HR5E: 20 chickens; HR7E: 35 chickens.

Units are standard with 1¹¹/₁₆" legs. Stacked units are mounted on nylon casters.

Top-mounted fans draw air from bottom of oven cavity over the top mounted heating elements. Infrared heating lamps brown product evenly on all sides.

Spit motor rotates at 2 RPM.

Stacked units can be wired independently or can be wired with single point connection using the stacking kit accessory.

CONSTRUCTION: Outer shell is stainless steel. 1" Rockwool insulation is applied to top and sides. Doors mounted on both front and back feature large, full sized tempered double pane glass for high visual impact. Each door swings open 180°.

Spits are easy to remove without the use of tools for product removal and to facilitate cleaning. Oven interior is stainless steel and non-stick coated. Drip trays slope downward to grease pan.

CONTROLS: Located on oven's right front. Controls can be moved from top to bottom and to customer side (for right hand hinge operation).

WEIGHT:	Net. Wt.	Approx. Ship Wt.
HR5E - Glass Back	280	335
HR7E - Glass Back	425	480
HR7E - Solid Back	410	465

(accessories shipped separately)



HR5E



HR7E/HR7E
shown with stacking kit accessory

As continued product improvement is a policy of Hobart, specifications are subject to change without notice.