

HOBART701 S Ridge Avenue, Troy, OH 45374
1-888-4HOBART • www.hobartcorp.com**HEC20D SERIES HALF-SIZE
ELECTRIC CONVECTION OVEN****HOBART****HEC20D SERIES HALF-SIZE ELECTRIC CONVECTION OVEN****STANDARD FEATURES**

- Stainless Steel Front, Sides, Top and Back
- Stainless Steel Door Seal and Door Liner
- Porcelain Enamel on Steel Oven Interior
- Full Height Door Opens 180° to the Left
- Fully Electronic Controls with Digital Time and Temperature Readouts
- Cool Down Switch for Rapid Cool Down
- Door Interlock Switch to Prevent Blower and Heater from Operating when Door is Opened
- Door has Large Pane Window and Cool-to-the-Touch Handle
- Permanently Lubricated Fan Motor Eliminates Routine Motor Maintenance
- Five Oven Racks with Nine Rack Positions Maximizes Output for Limited Space
- High Density Insulation in Oven Walls and Doors

OPTIONS

- Stainless Steel Oven Interior

MODELS

- HEC201D – Single Section on 4" Legs
- HEC202D – Two Sections on 16⁵/₈" Legs
- HEC203D – Single Section on Open Stand with 6" Legs

ACCESSORIES

- Set of Four 4" Adjustable Stainless Steel Legs
- Set of Four 16⁵/₈" Adjustable Stainless Steel Legs and Stack Set
- 28" Stand with 9-Rack Storage Capacity
- Four 6" Adjustable Stainless Steel Legs for 28" Stand
- Set of Four Casters for Stand
- Extra Oven Rack

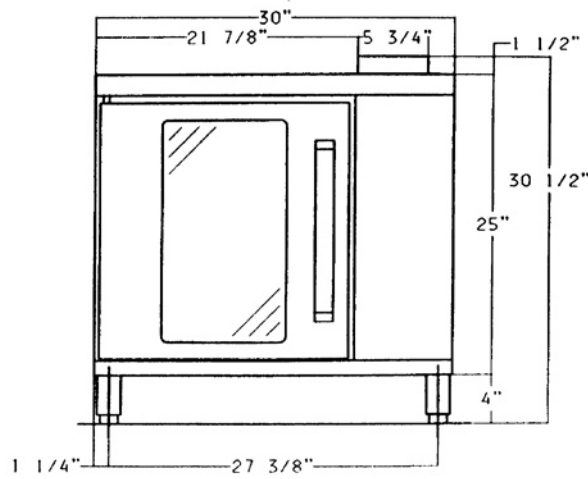
Specifications, Details and Dimensions on Inside and Back.



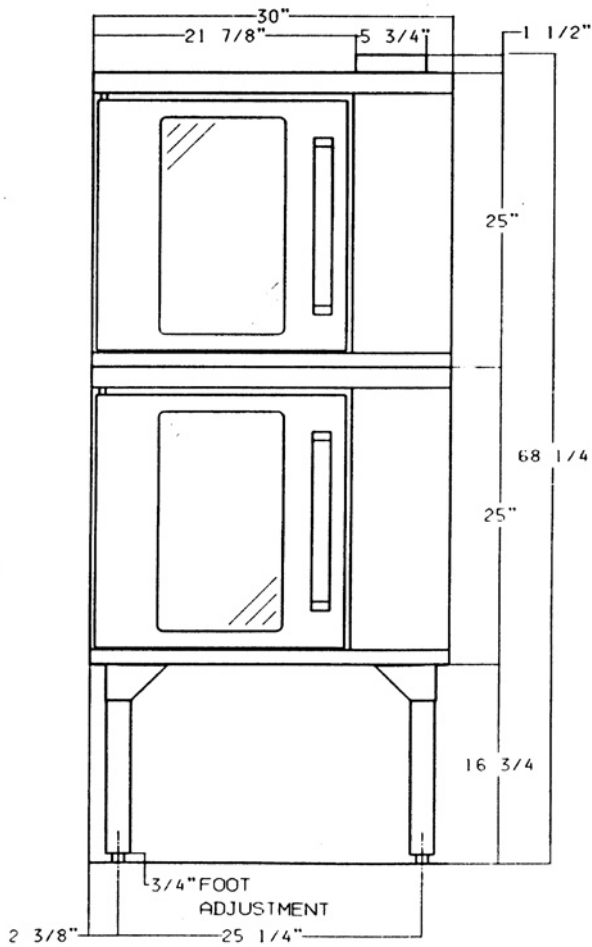
HEC20D SERIES HALF-SIZE ELECTRIC CONVECTION OVEN

HOBART

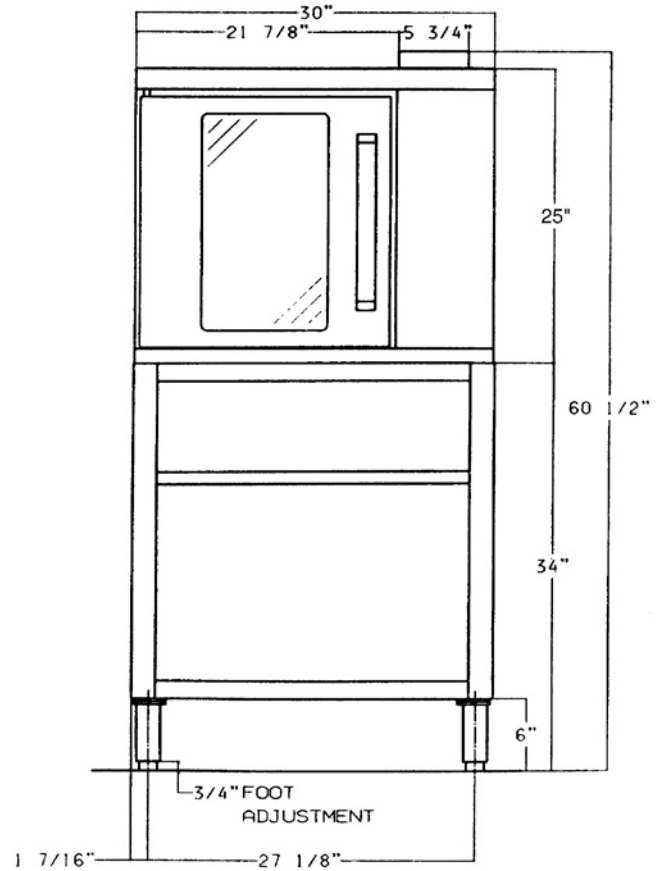
701 S Ridge Avenue, Troy, OH 45374
1-888-4HOBART • www.hobartcorp.com



**Front View
HEC201**



**Front View
Oven with Stand
HEC203**

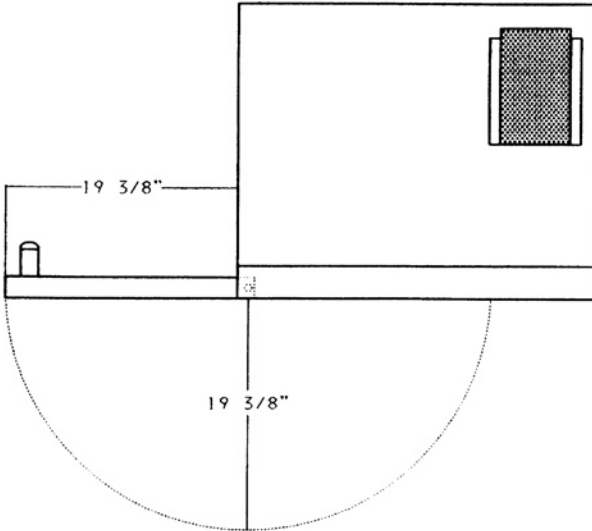


**Front View
HEC202 Ovens with
16 5/8" Legs**

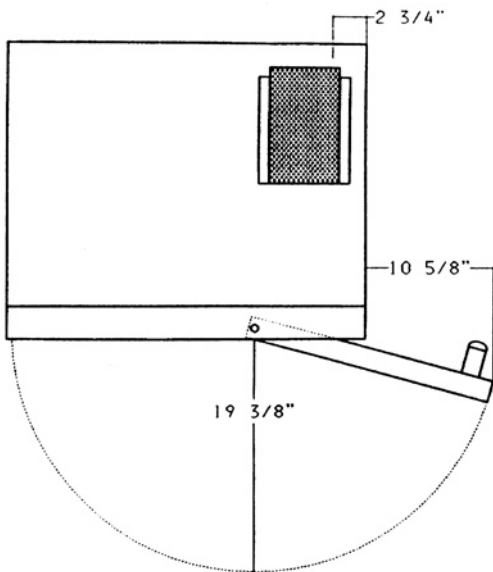


701 S Ridge Avenue, Troy, OH 45374
1-888-4HOBART • www.hobartcorp.com

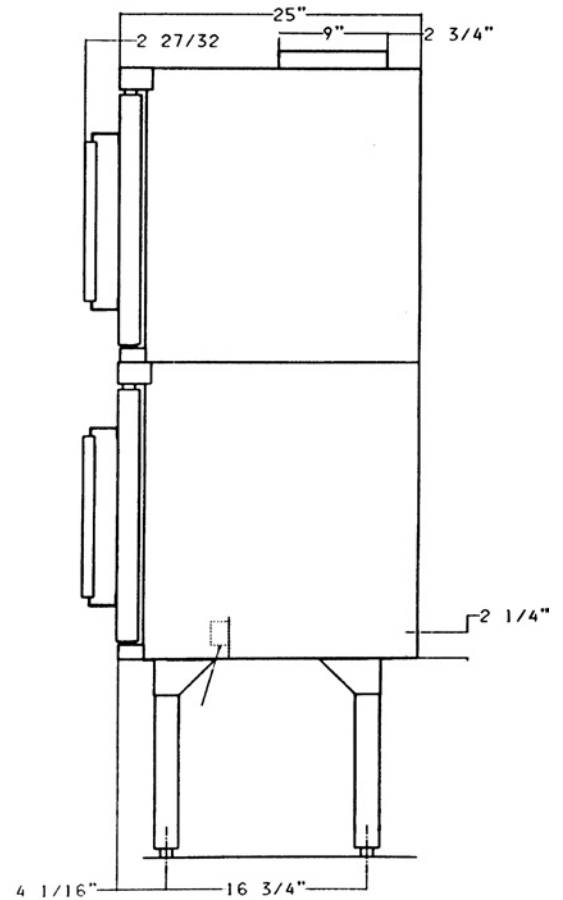
HEC20D SERIES HALF-SIZE ELECTRIC CONVECTION OVEN



Top View
Door Opening to Left



Top View
Door Opening to Right



Side View

HEC20D SERIES HALF-SIZE ELECTRIC CONVECTION OVEN



701 S Ridge Avenue, Troy, OH 45374
1-888-4HOBART • www.hobartcorp.com

SPECIFICATIONS

CONSTRUCTION: Outer shell is reinforced sheet steel furnished with stainless steel front, sides, top and back. Insulation is provided on top, rear, both sides, bottom and door. Standard oven cavity is porcelain enamel on steel. Full-height door opens 180° to the left. Door has large-pane window and cool-to-the-touch handle. Durable mechanical door latch. Permanent sanitary door seal. Racks have positive stop.

CONTROLS: Electronic controls with easy to read time and temperature screens are located on oven's right front panel. Temperatures are controlled accurately to ±7°F. Cook temperatures are adjustable from "Off" to 150°F - 500°F. (The hold temperature of the "Cook and Hold" feature is adjustable from 150° to 200°F.) Timer sets cook time from one minute to eight hours. Time is displayed in hours and minutes and counts down during the cook cycle. The Pulse Fan Delay feature is adjustable from "Off" or zero minutes

to fifteen minutes. At the end of the Pulse cycle, the oven reverts to standard operation for the remainder of the cook cycle. A power switch energizes the heating elements and the blower. A separate switch controls the two cavity lights. Automatic interlock switch shuts off blower motor and burner when the doors are opened. Cool down switch allows blower motor to operate with doors open and without energizing the heating system.

ELECTRICAL: 1/3 H.P., 1725-1140 RPM sealed, permanently lubricated ball bearing 2-speed blower motor. Enclosed tubular heating elements located at oven cavity's right side encircle blower. Rated power input is 5.5KW per section. Wiring and connections are located behind and below the control panel and are accessible from the front. Connections are tension-free and corrosion-resistant. Units are wired for 1 or 3-phase power supply. (See electrical data block for phase loading.)

WEIGHTS: (Approximate)

MODEL	NET	SHIPPING
HEC201D	245 lbs.	285 lbs.
HEC202D	533 lbs.	588 lbs.
HEC203D	386 lbs.	421 lbs.

MODEL	OVERALL EXTERNAL DIMENSIONS			COMPARTMENTS INTERNAL DIMENSIONS			RACK DATA (pan capacities shown for single rack)						
	W	D	H	W	D	H	NO. STD. RACKS	STD. RACK SPACING IN.	NO. OPTIONAL RACKS	RACK SIZE IN.	8" OD PIE TINS	#200 PANS	12 X 20 PANS
	IN.	IN.	IN.	IN.	IN.	IN.							
HEC201D	30	25	29	15 1/4	21	20	5	1 9/16	4	14 3/8 x 20 7/8	3	1	1
HEC202D			66 3/4				10		8				
HEC203D			65				5		4				

MODEL	TOTAL KW	208, 240V 3-PHASE LOADING			NOMINAL AMPS PER LINE WIRE							
		KW PER PHASE			3 PHASE						1 PHASE	
		L1-L2	L2-L3	L1-L3	208V			240V			208V	240V
					L1	L2	L3	L1	L2	L3		
HEC201D	5.5	2.5	0	3.0	23	10	12	20	9	11	26	23
HEC202D	11.0	5.0	0	6.0	46	20	24	40	18	22	52	46
HEC203D	5.5	2.5	0	3.0	23	10	12	20	9	11	26	23

As continued product improvement is a policy of Hobart, specifications are subject to change without notice.