

HOBART701 S Ridge Avenue, Troy, OH 45374
1-888-4HOBART • www.hobartcorp.com**FP41
FOOD PROCESSOR****EMULSIFY, CHOP,
MIX, PUREE WITH
HOBART FOUR
QUART BOWL-STYLE
FOOD PROCESSOR**

- **Quick/Consistent Processing** – Wider, low-profile stainless steel bowl and longer, cutlery grade knife blades increase productivity and product consistency. Wider Stay Sharp knife blades cut through more product in less time.
- **Patented Bowl Scraper Saves Time and Ensures Complete Processing** – No stopping like with competitive units to scrape product off side of bowl.
- **Triple Safety Interlock** – Adds protection by preventing blade rotation until the lock arm, bowl and cover are in proper position.
- **User-friendly Controls** – Large control handle is located on left side to leave the right hand free for ingredient feeding. Control includes ON, OFF, and PULSE settings.
- **Convenient, Compact Design** – Uses minimal counter space. Can be easily moved out of the way when not in use. Handles molded on sides of housing.
- **Planetary Drive** – Prevents stalling and slipping compared to belt driven competitors.
- **Knife Speed of 1725 RPM** – Ideal speed for emulsifying and pureeing foods.
- **Durable Polycarbonate Cover** – See-through design allows continuous view of product. Large feed tube makes it easy to add ingredients while processing.

Specifications, Details and Dimensions on Reverse Side.



FP41 FOOD PROCESSOR

HOBART

701 S Ridge Avenue, Troy, OH 45374
1-888-4HOBART • www.hobartcorp.com

SPECIFICATIONS Listed by Underwriters Laboratories Inc and NSF International

DESIGN: Compact design occupies minimal counter space. Handles are molded on both sides of housing for ease of moving unit.

CONSTRUCTION: Housing constructed of anodized aluminum with rubber feet on base to prevent movement. Removable bowl and knife blade are stainless steel. Cover and bowl scraper are durable polycarbonate.

ELECTRICAL: 120/60/1, 3 conductor power cord (18AWG) is 8 feet in length.

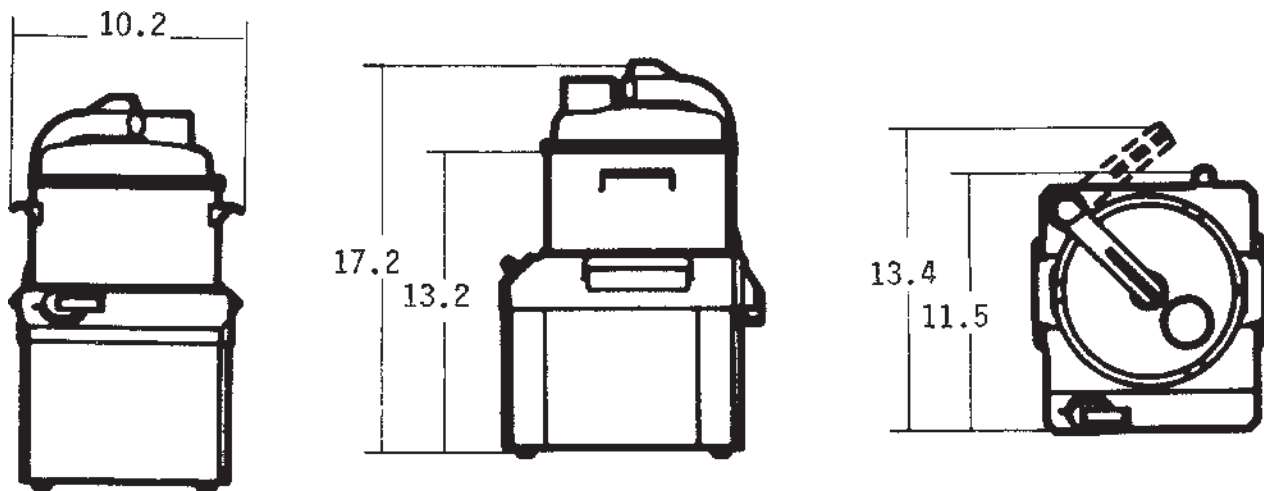
MOTOR: ¾ H.P., 8.0 Amps rated, direct driven machine operating at 1725 RPM output.

SWITCHES: Easy to operate OFF, ON, and PULSE switch. Three interlocks prevent operation unless: (1) bowl is in place; (2) cover is in place; and (3) lid lock arm is in place. Mechanical brake stops the blade in three seconds.

STANDARD EQUIPMENT: Basic unit with knife blade, 4 quart stainless steel bowl, cover, bowl scraper, spatula and sharpening stone.

OPTIONAL EQUIPMENT: Four quart whipping blade.

DETAILS AND DIMENSIONS



As continued product improvement is a policy of Hobart, specifications are subject to change without notice.



701 S RIDGE AVENUE
TROY, OHIO 45374-0001

LITHO IN U.S.A. (H-01)

Printed On Recycled Paper

FORM F-8239 (REV. 8/03)

F-8239 – FP41 Food Processor