

**HOBART**701 S Ridge Avenue, Troy, OH 45374  
1-888-4HOBART • www.hobartcorp.com**DEC5 SERIES ELECTRIC  
CONVECTION OVENS****HOBART****STANDARD FEATURES**

- Stainless Steel Front, Sides, Top and Back
- Painted Legs
- Solid Stainless Steel Doors - Independently Operated
- 12.5 KW Input
- ½ H.P. Two Speed Oven Blower Motors.
- Side Mounted Electromechanical Temperature Controls Adjust from 150° to 500°F
- 60 Minute Timer with Audible Alarm per Section
- Oven Cool Switch for Rapid Cool Down
- Porcelain Enamel on Steel Oven Interior
- Five Nickel Plated Oven Racks with Eleven Rack Positions per Section
- 208 or 240 Volt, 60 Hz, 1 or 3 Phase

**OPTIONS**

- Stainless Steel Legs
- Stainless Steel Doors with Windows
- Casters
- 480 Volt, 60 Hz, 3 Phase

**MODELS**

- DEC501 – Single Deck Electric Convection Oven
- DEC502 – Double Deck Electric Convection Oven
- DEC504 – Single Deck Electric Convection Oven with Open Stand

**ACCESSORIES**

- Extra Oven Rack(s)
- Stainless Steel Drip Pan
- Down Draft Flue Diverter for Direct Vent Connection
- Stacking Kit (DEC501 only)

Specifications, Details and Dimensions on Inside and Back.

**DEC5 SERIES ELECTRIC CONVECTION OVENS**

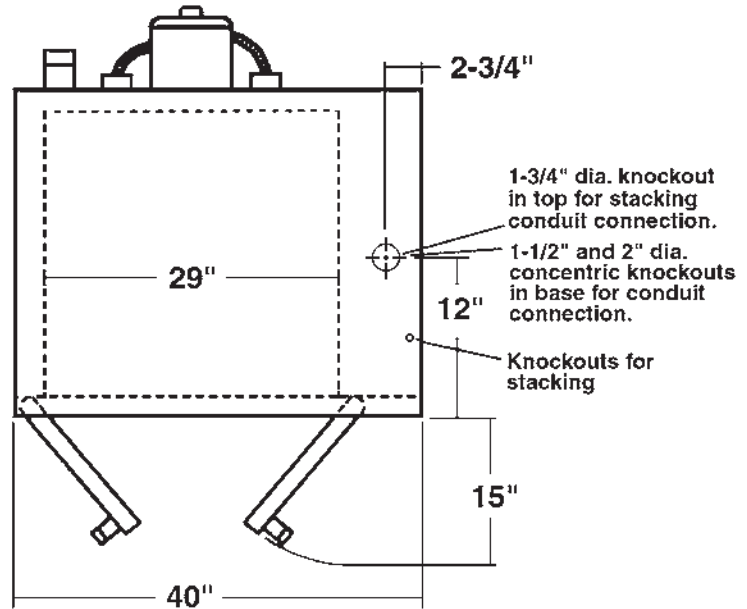
# DEC5 SERIES ELECTRIC CONVECTION OVENS



701 S Ridge Avenue, Troy, OH 45374  
1-888-4HOBART • www.hobartcorp.com

## IMPORTANT

1. An adequate ventilation system is required for commercial cooking equipment. Information may be obtained by writing to the National Fire Protection Association, Batterymarch Park, Quincy, MA 02289. When writing, refer to NFPA No. 96.
2. This appliance is manufactured for commercial installation only and is not intended for home use.



MODEL NO.	WIDTH	DEPTH (INCLUDES HANDLES)	HEIGHT	KW PER OVEN	TOTAL KW	ELECTRICAL	APPROX. SHP. WT. LBS.
DEC501	40"	41½"	56¾"	12.5	12.5	208 or 240/60/1 or 3	470
DEC502	40"	41½"	70"	12.5	25	208 or 240/60/1 or 3	1,180

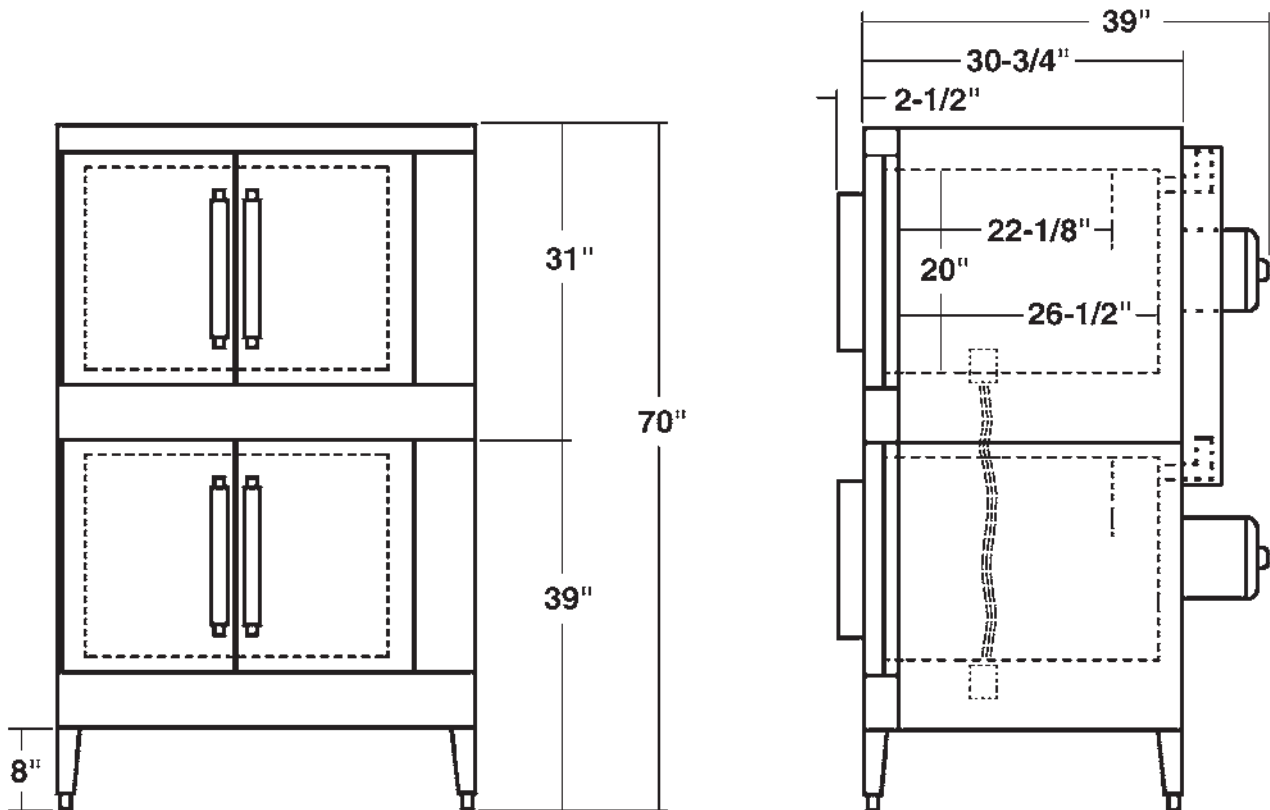
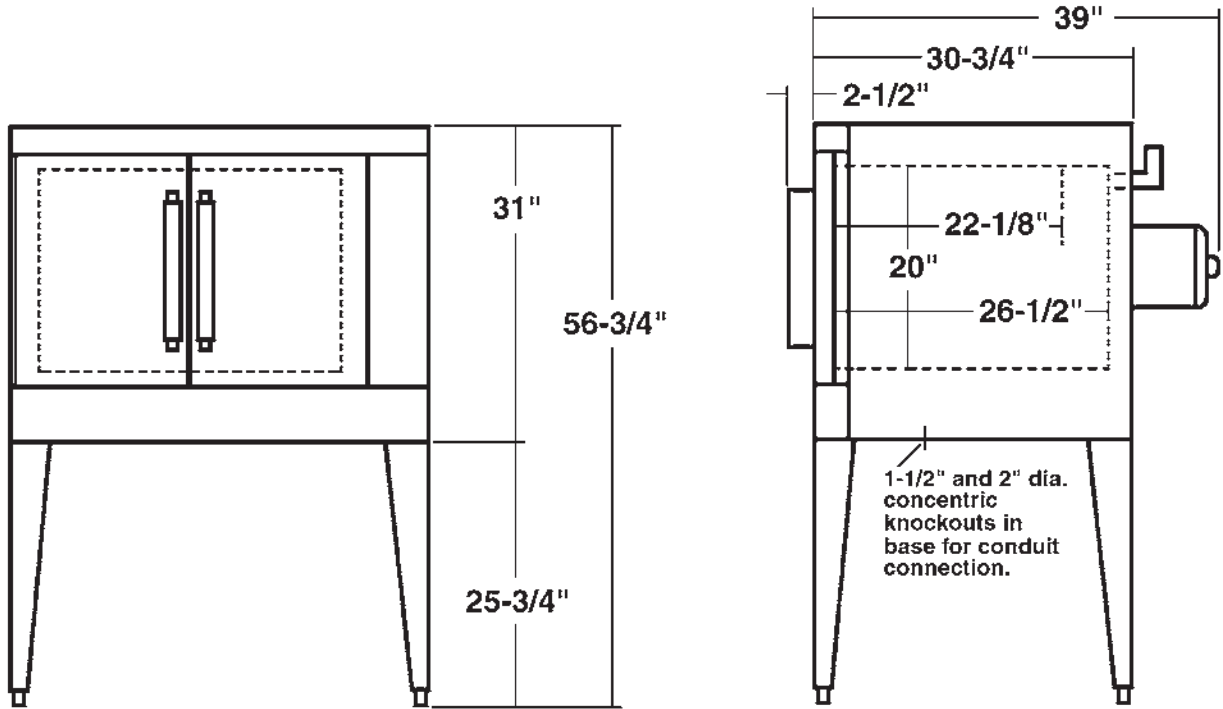
MODEL NO.	TOTAL CONN. KW	3 PHASE LOAD KW PER PHASE			NOMINAL AMPS PER LINE WIRE											
					3 PHASE									1 PHASE		
					208 VOLT			240 VOLT			480 VOLT			208V		240V
X-Y	Y-Z	X-Z	X	Y	Z	X	Y	Z	X	Y	Z	X	Y	Z		
DEC501	12.5	4	4	4.5	35	33	35	33	29	33	14.4	15.3	15.3	60	52	
DEC502	25	8	8	9	70	66	70	66	58	66	28.8	30.6	30.6	120	104	



701 S Ridge Avenue, Troy, OH 45374  
1-888-4HOBART • www.hobartcorp.com

# DEC5 SERIES ELECTRIC CONVECTION OVENS

## DETAILS AND DIMENSIONS



# DEC5 SERIES ELECTRIC CONVECTION OVENS



701 S Ridge Avenue, Troy, OH 45374  
1-888-4HOBART • www.hobartcorp.com

## SPECIFICATIONS

**General:** Electric convection oven. Basic section (**DEC5**) is without legs; may be ordered separately for replacement, for stacking 2-high or for mounting on legs. **DEC501** single basic section on 25 $\frac{3}{4}$ " legs. **DEC502** two basic DEC5 sections on 8" legs.

**Construction:** Stainless steel front, sides, top and back, painted legs. Porcelain enamel on steel oven interior. Independently operated solid stainless steel doors open a full 180 degrees. Two interior oven lights per section. Non-sag insulation applied to the top, rear and sides, bottom and doors.

Oven interior measures 29" w x 22 $\frac{1}{8}$ " d x 20"h. Five nickel plated oven racks per section measure 28 $\frac{1}{4}$ " x 20 $\frac{1}{2}$ ". Eleven position nickel plated rack guides with positive rack stops per section.

**Controls:** Side mounted electromechanical temperature controls adjust from 150° to 500°F. 60-minute timer with audible alarm. Oven cool switch for rapid cool down.

**Electrical:** Two-speed  $\frac{1}{2}$  H.P. oven blower-motor per section. 208 or 240 volts, 60 Hz, 1 or 3 phase.

### IMPORTANT

**WHEN ORDERING:** The following must be specified:

- 1) Required voltage

As continued product improvement is a policy of Hobart, specifications are subject to change without notice.