

**HOBART**701 S Ridge Avenue, Troy, OH 45374  
1-888-4HOBART • www.hobartcorp.com**SIDE LOADING OPTION  
FOR CL<sub>e</sub> DISHWASHERS****HOBART****STANDARD FEATURES**

- Automatically indexes rack at a 90° angle
- Operates off the drive of the CL<sub>e</sub> and requires no additional energy consumption
- Easy to install
- Stainless steel construction
- Low maintenance
- Easy to use
- Saves valuable floor space

**MODELS**

- SL23 – Adds 23" to length of machine
- SL30 – Adds 30" to length of machine

Specifications, Details and Dimensions on Inside and Back.

**SIDE LOADING OPTION FOR CL<sub>e</sub> DISHWASHERS**

# SIDE LOADING OPTION FOR CL<sub>e</sub> DISHWASHERS



701 S Ridge Avenue, Troy, OH 45374  
1-888-4HOBART • www.hobartcorp.com

## SPECIFICATIONS

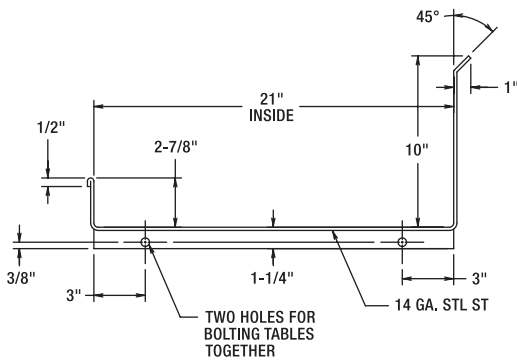
**DESIGN:** A factory installed option to adapt any Hobart CL<sub>e</sub> Dishwasher to a corner or side loading operation. Model SL-23 adds 23" to length of machine; SL-30 - 30". Specify model.

**CONSTRUCTION:** Sump, back and end shields of formed 14-gauge stainless steel, heliarc-welded, with coved corners and all joints ground smooth and polished. Attached to dishmachine chamber with stainless steel bolts and reinforced with rigid stainless steel diagonal supports. Sump has 1½" drain connection and perforated stainless steel strainer cover over drain opening.

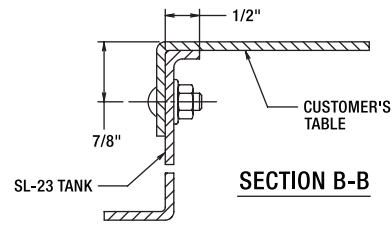
**CONVEYOR:** Two stainless steel rack slides welded to cross member support. Drive member is single stainless steel pawl, connected to dishmachine conveyor by a stainless steel rod. Rack drive pawl operates on two rollers, supported by two stainless steel rods and is beveled to permit rack to slide easily into side-loading extension.

**SHIPPING WEIGHT:** Ships separately weighing approximately 100 lbs. Field mount standard.

**NOTE:** Racks must have center and side index strips.

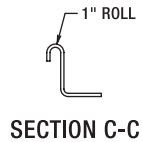


**SECTION A-A**  
VIEW LOOKING TOWARD SL-23 TANK  
THROUGH CUSTOMER'S TABLE

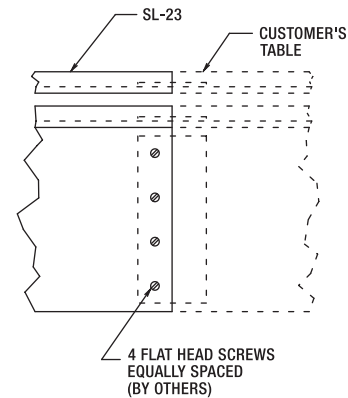


**SECTION B-B**

MODEL	DIMENSION A
CL44 <sub>e</sub>	35-1/4"
CLPS66 <sub>e</sub>	57-1/4"
CL54 <sub>e</sub>	35-1/4"
CLPS76 <sub>e</sub>	57-1/4"
CL64 <sub>e</sub>	45-3/16"
CLPS86 <sub>e</sub>	67-3/16"



**SECTION C-C**



**SECTION D-D**

### WARNING

ELECTRICAL AND GROUNDING CONNECTIONS MUST COMPLY WITH THE APPLICABLE PORTIONS OF THE NATIONAL ELECTRICAL CODE AND/OR OTHER LOCAL ELECTRICAL CODES.

### PLUMBING

CONNECTIONS MUST COMPLY WITH APPLICABLE SANITARY, SAFETY, AND PLUMBING CODES.

### NOTES

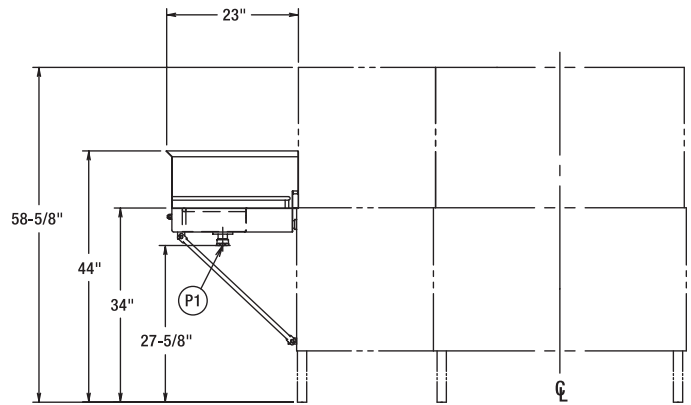
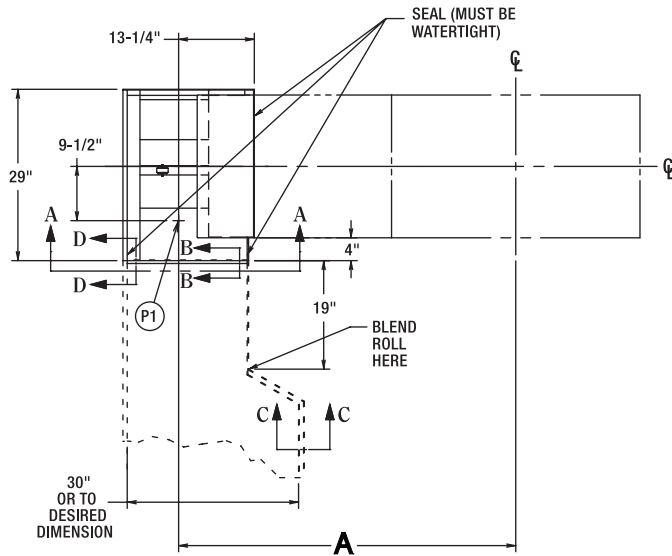
1. ALL DIMENSIONS TAKEN FROM FLOOR LINE MAY BE INCREASED APPROX. 3/4" OR DECREASED 1/2". FOR DIMENSIONS NOT SHOWN, SEE SPEC SHEET FOR MODEL SPECIFIED.
2. REFER TO VENT & EXTENDED HOOD INSTALLATION DRAWING (F-7841) FOR MACHINE EXHAUST REQUIREMENTS.



701 S Ridge Avenue, Troy, OH 45374  
1-888-4HOBART • www.hobartcorp.com

# SIDE LOADING OPTION FOR CL<sub>e</sub> DISHWASHERS

## SL23 SIDE LOADER LEFT TO RIGHT OPERATION

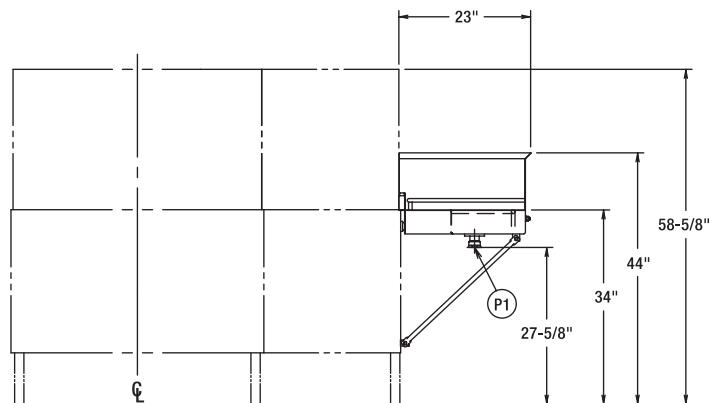
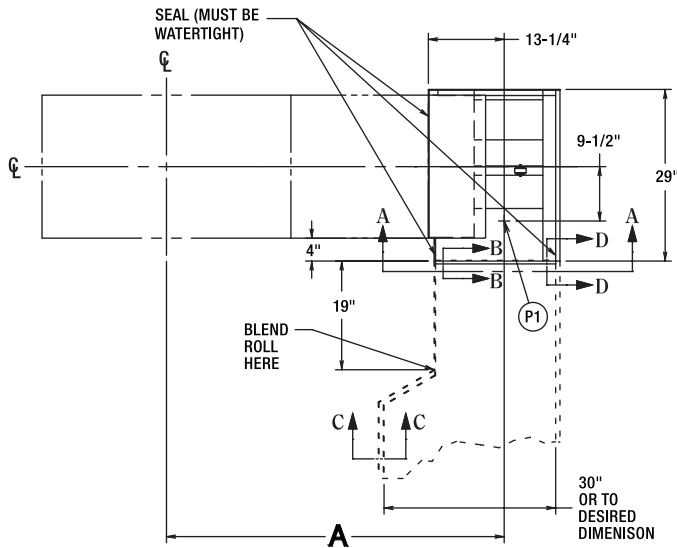


CL<sub>e</sub>  
23" SIDE LOADER  
L-R OPERATION  
D-936611  
REV. B

**LEGEND:**

P1 DRAIN CONNECTION: 1-1/2" FEMALE  
PIPE THREAD.

## SL23 SIDE LOADER RIGHT TO LEFT OPERATION



CL<sub>e</sub>  
23" SIDE LOADER  
R-L OPERATION  
D-936610  
REV. B

**LEGEND:**

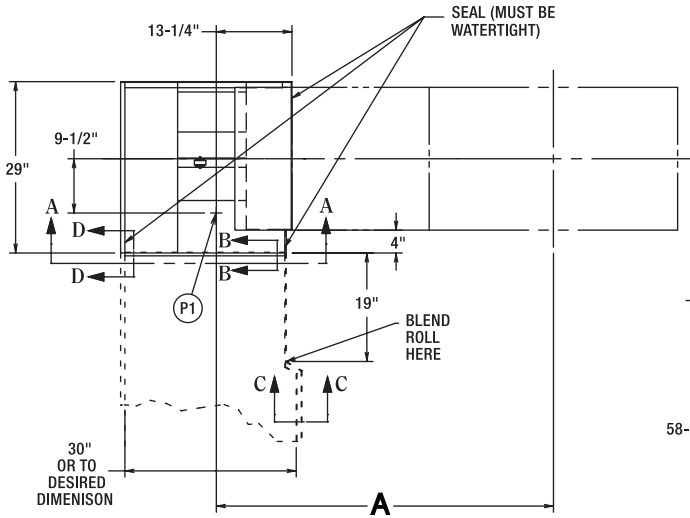
P1 DRAIN CONNECTION: 1-1/2" FEMALE  
PIPE THREAD.

# SIDE LOADING OPTION FOR CL<sub>e</sub> DISHWASHERS

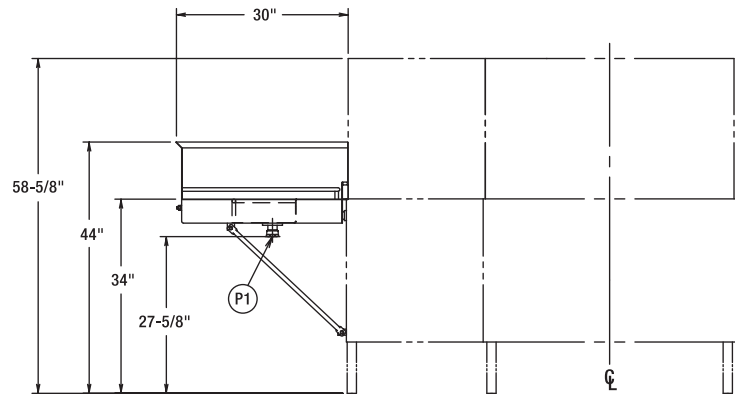


701 S Ridge Avenue, Troy, OH 45374  
1-888-4HOBART • www.hobartcorp.com

## SL30 SIDE LOADER LEFT TO RIGHT OPERATION



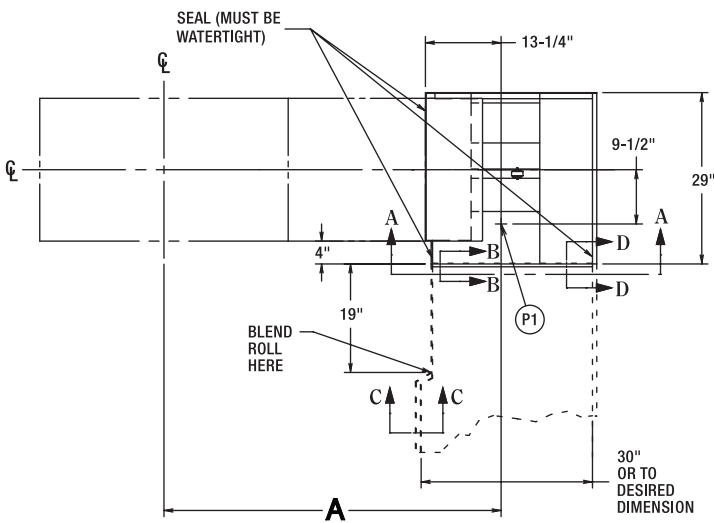
CL<sub>e</sub>  
30" SIDE LOADER  
L-R OPERATION  
D-936613  
REV. B



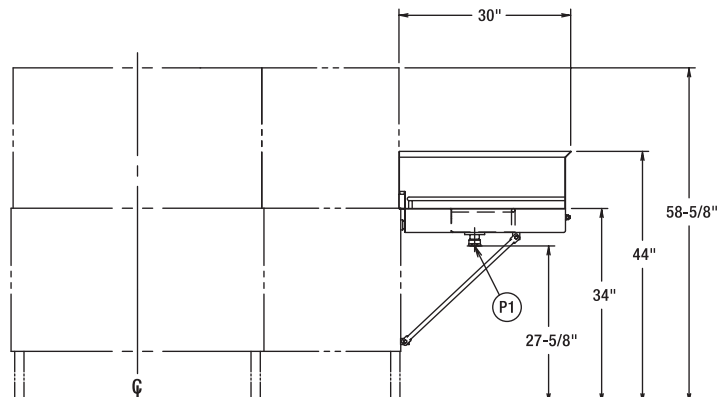
**LEGEND:**

P1 DRAIN CONNECTION: 1-1/2" FEMALE PIPE THREAD.

## SL30 SIDE LOADER RIGHT TO LEFT OPERATION



CL<sub>e</sub>  
30" SIDE LOADER  
R-L OPERATION  
D-936612  
REV. C



**LEGEND:**

P1 DRAIN CONNECTION: 1-1/2" FEMALE PIPE THREAD.

As continued product improvement is a policy of Hobart, specifications are subject to change without notice.