

HOBART701 S Ridge Avenue, Troy, OH 45374
1-888-4HOBART • www.hobartcorp.com**DDU38_e DIRECT DRIVE UNLOADER
FOR CL_e DISHWASHERS****HOBART****DDU38_e DIRECT DRIVE UNLOADER FOR CL_e DISHWASHERS****STANDARD FEATURES**

- **DESIGN:** An accessory for any Hobart CL_e Dishwasher. It is set up to be easily installed in the field. The DDU38_e adds 38" to the length of the machine.
- **CONSTRUCTION:** Back, bottom and end shields of formed 14 gauge stainless steel with coved corners. Attached to the clean side of the dishwasher by stainless steel bolts. Unit has a 1½" drain connection and perforated stainless steel drain cover.
- **CONVEYOR:** Center pawl to be connected to dishwasher conveyor by means of a stainless steel adjustable rod. As conveyor drives, center pawl drives racks around 90 degree corner. The DDU38_e is designed to move the racks at the same speed as the conveyor dishwasher speed.

MODEL

- DDU38_e – Direct Drive Unloader

Specifications, Details and Dimensions on Inside and Back.



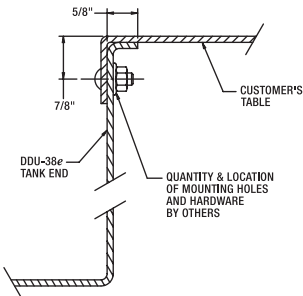
DDU38e DIRECT DRIVE UNLOADER FOR CL_e DISHWASHERS



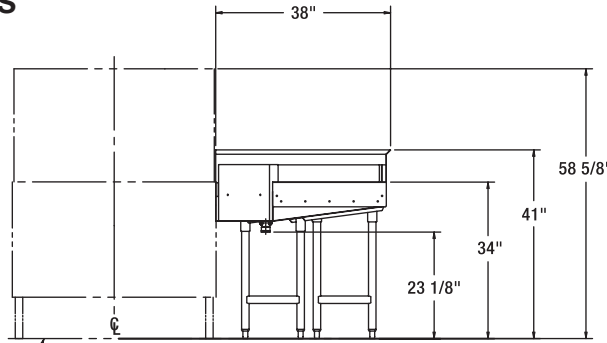
701 S Ridge Avenue, Troy, OH 45374
1-888-4HOBART • www.hobartcorp.com

DETAILS AND DIMENSIONS

LEFT TO RIGHT



SECTION B-B
SUGGESTED TABLE MOUNTING

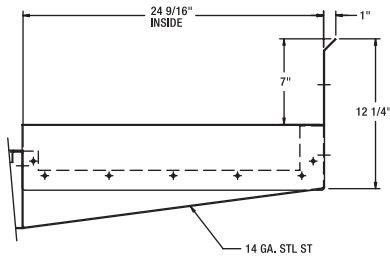


FLOOR LINE: ALL DIMENSIONS TAKEN FROM FLOOR LINE MAY BE INCREASED APPROX. 3/4" OR DECREASED 1/2".

MODEL	DIMENSION A
CL44e	33"
CLPS66e	33"
CL54e	43"
CLPS76e	43"
CL64e	43"
CLPS86e	43"

NOTES:
1. FOR DIMENSIONS NOT SHOWN, SEE SPECIFICATION SHEET FOR MODEL SPECIFIED.

CL_e
DIRECT UNLOADER
L-R OPERATION
D-936646
REV. B



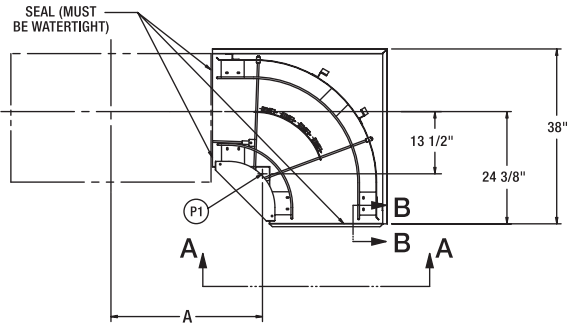
VIEW A-A
VIEW LOOKING TOWARD UNLOADER TANK THROUGH CUSTOMER'S TABLE

LEGEND
P1 DRAIN CONNECTION:
1-1/2" FEMALE PIPE THREAD
APPROX. 23-1/8" AFF

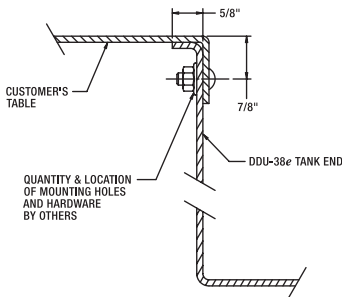


WARNING
ELECTRICAL AND GROUNDING CONNECTIONS MUST COMPLY WITH THE APPLICABLE PORTIONS OF THE NATIONAL ELECTRICAL CODE AND/OR OTHER LOCAL ELECTRICAL CODES.

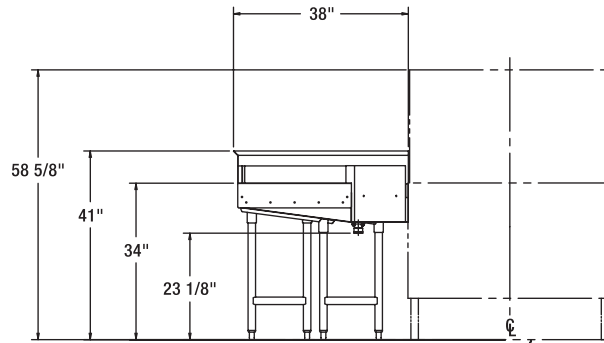
PLUMBING CONNECTIONS MUST COMPLY WITH APPLICABLE SANITARY, SAFETY, AND PLUMBING CODES.



RIGHT TO LEFT



SECTION B-B
SUGGESTED TABLE MOUNTING

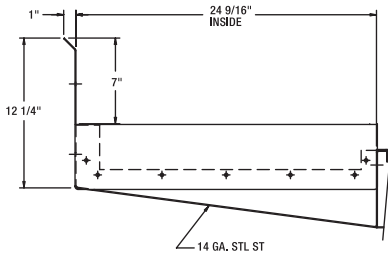


FLOOR LINE: ALL DIMENSIONS TAKEN FROM FLOOR LINE MAY BE INCREASED APPROX. 3/4" OR DECREASED 1/2".

MODEL	DIMENSION A
CL44e	33"
CLPS66e	33"
CL54e	43"
CLPS76e	43"
CL64e	43"
CLPS86e	43"

NOTES:
1. FOR DIMENSIONS NOT SHOWN, SEE SPECIFICATION SHEET FOR MODEL SPECIFIED.

CL_e
DIRECT UNLOADER
R-L OPERATION
D-936645
REV. B



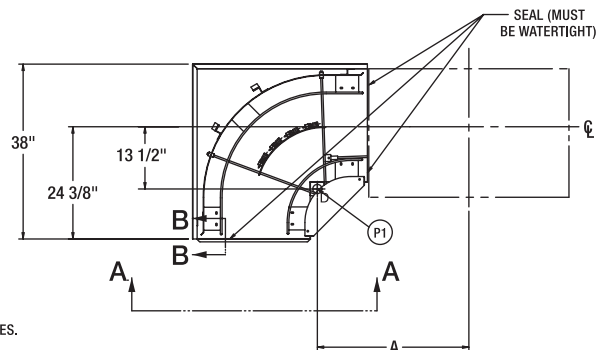
VIEW A-A
VIEW LOOKING TOWARD UNLOADER TANK THROUGH CUSTOMER'S TABLE

LEGEND
P1 DRAIN CONNECTION:
1-1/2" FEMALE PIPE THREAD
APPROX. 23-1/8" AFF



WARNING
ELECTRICAL AND GROUNDING CONNECTIONS MUST COMPLY WITH THE APPLICABLE PORTIONS OF THE NATIONAL ELECTRICAL CODE AND/OR OTHER LOCAL ELECTRICAL CODES.

PLUMBING CONNECTIONS MUST COMPLY WITH APPLICABLE SANITARY, SAFETY, AND PLUMBING CODES.



As continued product improvement is a policy of Hobart, specifications are subject to change without notice.