

**HOBART**701 S Ridge Avenue, Troy, OH 45374  
1-888-4HOBART • www.hobartcorp.com**CL<sub>e</sub> ALL ELECTRIC  
BLOWER-DRYER ACCESSORY****HOBART****STANDARD FEATURES**

- Stainless steel 33" long chamber
- Positive forced circulation of high velocity heated air
- Fits CL<sub>e</sub> models
- High velocity industrial type blower-dryer is quiet, giving truly high performance at a low sound level
- 2 H.P. blower
- 10 KW electric heat

**DIRECTION OF OPERATION**

- Right to Left
- Left to Right

**VOLTAGE**

- 208/60/3
- 240/60/3
- 480/60/3
- 600/60/3
- 380/60/3
- 200/50/3
- 380-415/50/3

**MODEL**

- CL<sub>e</sub> All Electric Blower-Dryer

Specifications, Details and Dimensions on Inside and Back.

For use with  
CL<sub>e</sub> Series Dishwashers**CL<sub>e</sub> ALL ELECTRIC BLOWER-DRYER ACCESSORY**

# CL<sub>e</sub> ALL ELECTRIC BLOWER-DRYER ACCESSORY L-R



701 S Ridge Avenue, Troy, OH 45374  
1-888-4HOBART • www.hobartcorp.com

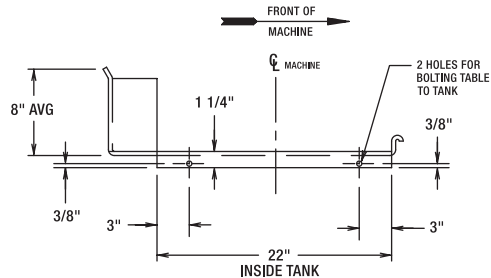
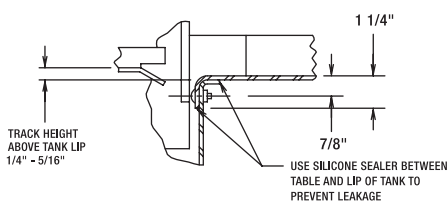
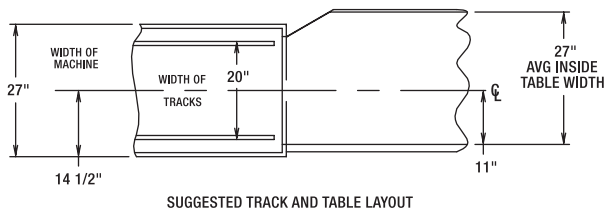
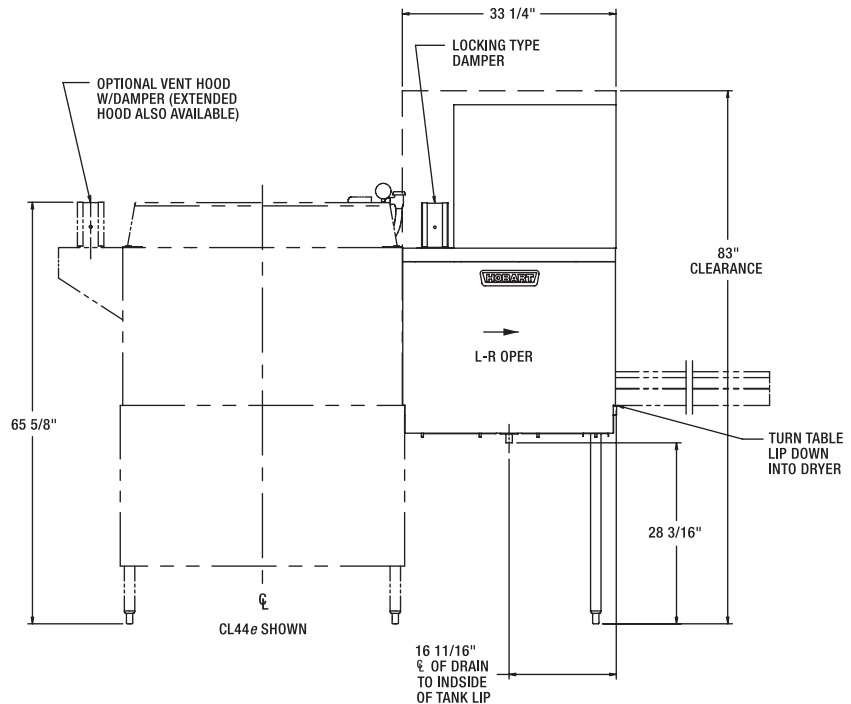
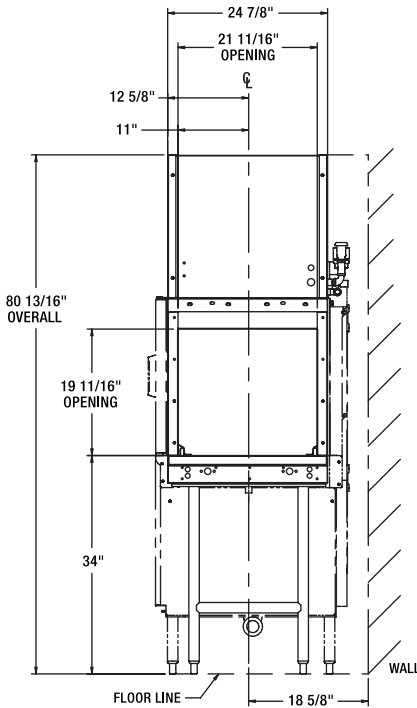
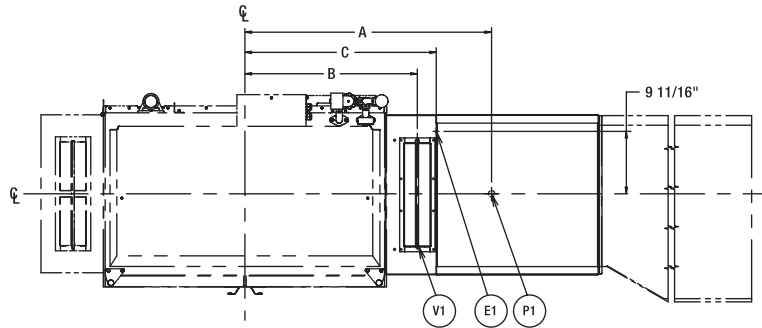
## ELECTRICAL AND PLUMBING CONNECTIONS

CONNECTION INFORMATION  
(AFF = ABOVE FINISHED FLOOR)

### LEGEND

ELECTRIC, STEAM, AND GAS HEATS

- E1 ELECTRIC CONNECTION: KNOCKOUT MADE BY CUSTOMER, 1-1/8" CONDUIT HOLE, 61" AFF
- P1 DRAIN CONNECTION IN DRYER TANK: 1" FPT.
- V1 VENT CONNECTION: (MUST FIT INSIDE) 4" X 16" VENT STACK, 400 C.F.M. EXHAUST

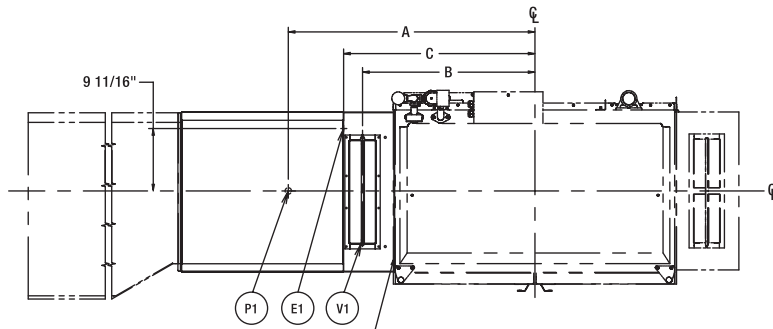


MODEL: CL<sub>e</sub>  
BLOWER-DRYER  
ELECTRIC HEAT  
L-R OPERATION  
E-936794  
REV B



701 S Ridge Avenue, Troy, OH 45374  
1-888-4HOBART • www.hobartcorp.com

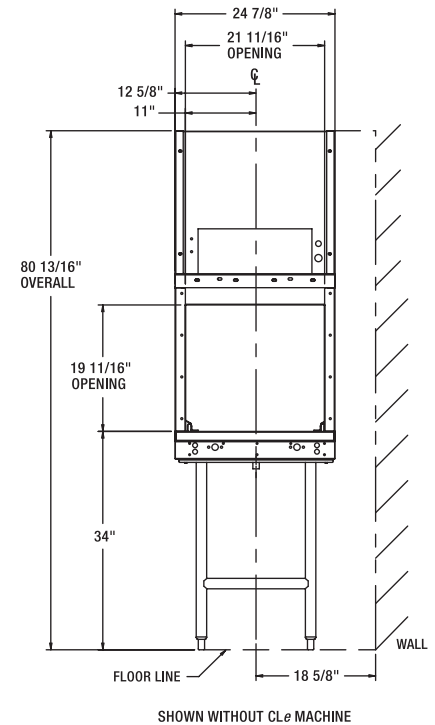
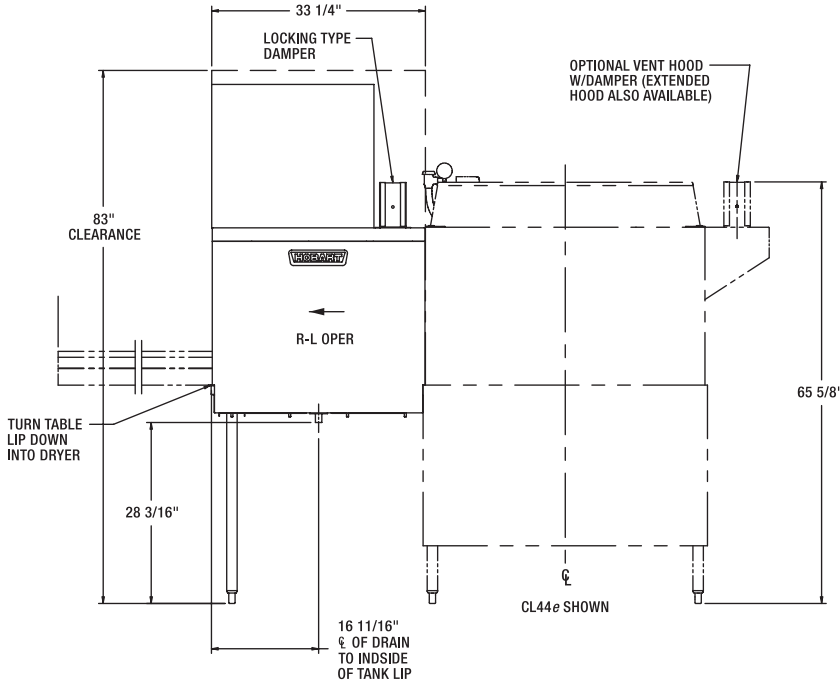
# CL<sub>e</sub> ALL ELECTRIC BLOWER-DRYER ACCESSORY R-L



DRYER CHAMBER TO BE BOLTED TO WASH CHAMBER WITH 1/4"-20 X 5/8" HEX HEAD STAINLESS STEEL SCREWS THRU (19) 11/32" DIA. MATCHING HOLES. USE FOAM TAPE (1" WIDE X .060 THICK) AS A GASKET TO SEAL THIS JOINT.

SINGLE POINT ELECTRICAL CONNECTION  
BLOWER MOTOR & ELECTRIC HEAT  
(3 PH ONLY)

ELECTRICAL SPECS	RATED AMPS	MINIMUM SUPPLY CIRCUIT CONDUCTOR AMPACITY	MAXIMUM PROTECTIVE DEVICE
208/60/3	34.2	45	45
240/60/3	30.7	40	40
380/60/3	17.8	25	25
480/60/3	15.7	20	20
600/60/3	12.6	20	20
200/50/3	33.0	45	45
380-415/50/3	17.8	25	25



**WARNING**

ELECTRICAL AND GROUNDING CONNECTIONS MUST COMPLY WITH THE APPLICABLE PORTIONS OF THE NATIONAL ELECTRICAL CODE AND/OR OTHER LOCAL ELECTRICAL CODES.

ATTN: PLUMBING CONNECTIONS MUST COMPLY WITH APPLICABLE SANITARY, SAFETY, AND PLUMBING CODES.

MODEL	DIMENSION A	DIMENSION B	DIMENSION C
CL44 <sub>e</sub>	38-7/16"	26-7/8"	29-13/16"
CLPS66 <sub>e</sub>	38-7/16"	26-7/8"	29-13/16"
CLCS66 <sub>e</sub>	38-7/16"	26-7/8"	29-13/16"
CL54 <sub>e</sub>	48-3/16"	36-3/16"	39-9/16"
CLPS76 <sub>e</sub>	48-3/16"	36-3/16"	39-9/16"
CLCS76 <sub>e</sub>	48-3/16"	36-3/16"	39-9/16"
CL64 <sub>e</sub>	48-7/16"	36-7/8"	39-13/16"
CLPS86 <sub>e</sub>	48-7/16"	36-7/8"	39-13/16"
CLCS86 <sub>e</sub>	48-7/16"	36-7/8"	39-13/16"

NOTES:

- ALL DIMENSIONS TAKEN FROM FLOOR LINE MAY BE INCREASED APPROX. 3/4" OR DECREASED 1/2".
- FOR DIMENSIONS OF DISHWASHING MACHINE NOT SHOWN, SEE INSTALLATION DWG OF MACHINE USED.
- BLOWER MOTOR CONTROLLER IS CONTROLLED FROM DISHWASHER MOTOR CONTROL BOX AND OPERATES WITH DISHWASHER PUMP MOTORS.
- REFER TO VENTS AND HOODS SPECIFICATION SHEETS (F-7841) FOR MACHINE EXHAUST REQUIREMENTS.

MODEL: CL<sub>e</sub>  
BLOWER-DRYER  
ELECTRIC HEAT  
R-L OPERATION  
E-936793  
REV B

# CL<sub>e</sub> ALL ELECTRIC BLOWER-DRYER ACCESSORY

**HOBART**

701 S Ridge Avenue, Troy, OH 45374  
1-888-4HOBART • www.hobartcorp.com

**DESIGN:** To promote rapid drying of tableware and trays by forced circulation of high velocity heated air through the blower dryer.

Heavy-duty direct drive industrial fan blows room air through electric heater and large area ducting. Heated air directed vertically downward to drying area through rectangular orifice covering full width of chamber. Baffles below conveyor redirect air upward within drying area and minimize heating of discharge table or hot air contact with clean-dish operator at end of machine.

Any object which will pass through the machine will be handled at the dryer area without necessity of readjusting blower plenum upward or downward.

**CONSTRUCTION:** Chamber construction is stainless steel, welded and bolted. Vent is 4" x 16" inside dimension and contains a locking type control damper.

Stainless steel wrap-around encloses entire external component assembly consisting of electric heater, motor and blower. Blower dryer is approximately 17<sup>3</sup>/<sub>8</sub>" above height of machine.

Tank portion is constructed of stainless steel with legs and lower cross-members of 1<sup>5</sup>/<sub>8</sub>" stainless steel tubing and stainless steel adjustable feet.

Conveyor is Hobart "Dual Drive" with stainless steel pawls, designed to connect to CL<sub>e</sub> warewasher.

**ELECTRIC HEAT:** 3 - 3.3 KW Incoloy<sup>®</sup> electric heaters are used for a total of 10 KW heating capacity. Thermostatic control and separate over temperature protection are standard. Electrical specifications are 208/60/3, 240/60/3, 480/60/3, 600/60/3, 380/60/3, 200/50/3, 380-415/50/3.

**BLOWER:** Industrial fan-type with direct drive wheel. Housing of welded construction.

2 H.P. Blower direct drive motor. Exhaust requirement is 200 to 400 CFM.

**MOTOR:** Splashproof enclosure, ventilated design. Furnished only in three-phase electrical specifications of the basic CL<sub>e</sub> Model in 208-240/60 and 480/60. The controller circuit operates on 115 volts supplied by the transformer on the dishwasher.

**MOTOR CONTROL:** Ambient temperature compensated automatic resetting solid state overload protection, pre-wired. Operation controlled by dishwasher motor switch, i.e. blower functions only during machine operation.

As continued product improvement is a policy of Hobart, specifications are subject to change without notice.