



## BOTTOM LABEL APPLIER BLA

### NEW BOTTOM LABEL APPLIER FOR AUTOMATICALLY APPLYING SAFE-HANDLING INSTRUCTIONS TO THE BOTTOM SIDE OF MEAT PACKAGES.

Now the Ultima scale system can be used for what it was designed to do and help the retailer improve merchandising of meat.

Print:

- Cooking instructions
- Health tips
- Graphics
- Nutritional information
- Cross merchandising information
- Frequent shopper information

#### Information That Today's Shoppers Are Looking For:

The bottom side of the package can be used to meet the requirements of safe handling and the top of the package can be used to sell more products. Meat department personnel can spend more time keeping the meat case full and less time answering redundant questions.

With the cooking instructions or nutritional information printed on the scale label, there's no need to worry about the shopper forgetting or losing the information. It will still be there when the shopper uses the product.

The Hobart Bottom Label Applier is highly reliable for applying preprinted safe handling instructions to the bottom side of meat packages.

The BLA can be added to new or existing installations. It can be added to a Hobart Roller Table for CSW/CLA installations where gravity moves the package across the label applicator or it can be mounted to a powered roller conveyor for ESW/ILA installations that require motorized rollers to move the package across the applicator.

Specifications, Details, Dimensions and Connections inside.



Bottom Label Applier shown with  
CLA Conveyor/HRT Roller Conveyor

# BOTTOM LABEL APPLIER BLA

## Specifications:

**Bottom Label Applier:** 115 Volts, 60 Hz., 1 Phase, .75 Amps.

**Powered Roller Conveyor:** 115 Volts, 60 Hz., 1 Phase, .45 Amps. 11" per second conveyor speed. Height adjustable from 34" to 48". 16" wide x 28" long.

## Labels:

- 1½" x 2" labels.
- Hobart Part No. 184979-1.
- 2000 labels per roll.
- Ten rolls per case.

## Benefits:

### Labor Savings

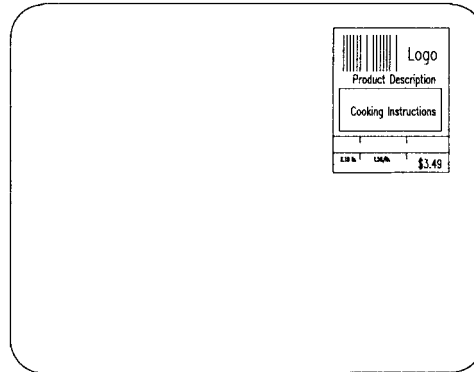
- Less time used to answer questions that now can be done by the scale label.
- Let the scale label do the job of other labels that are hand applied.
- Less labels to order and stock.

### Sell More Products

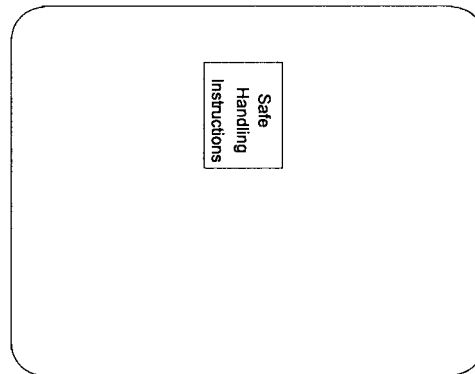
- Less hassle for the shopper to get the information they are looking for.
- Advertise other products that would go well with a particular cut of meat.

### Cost Savings

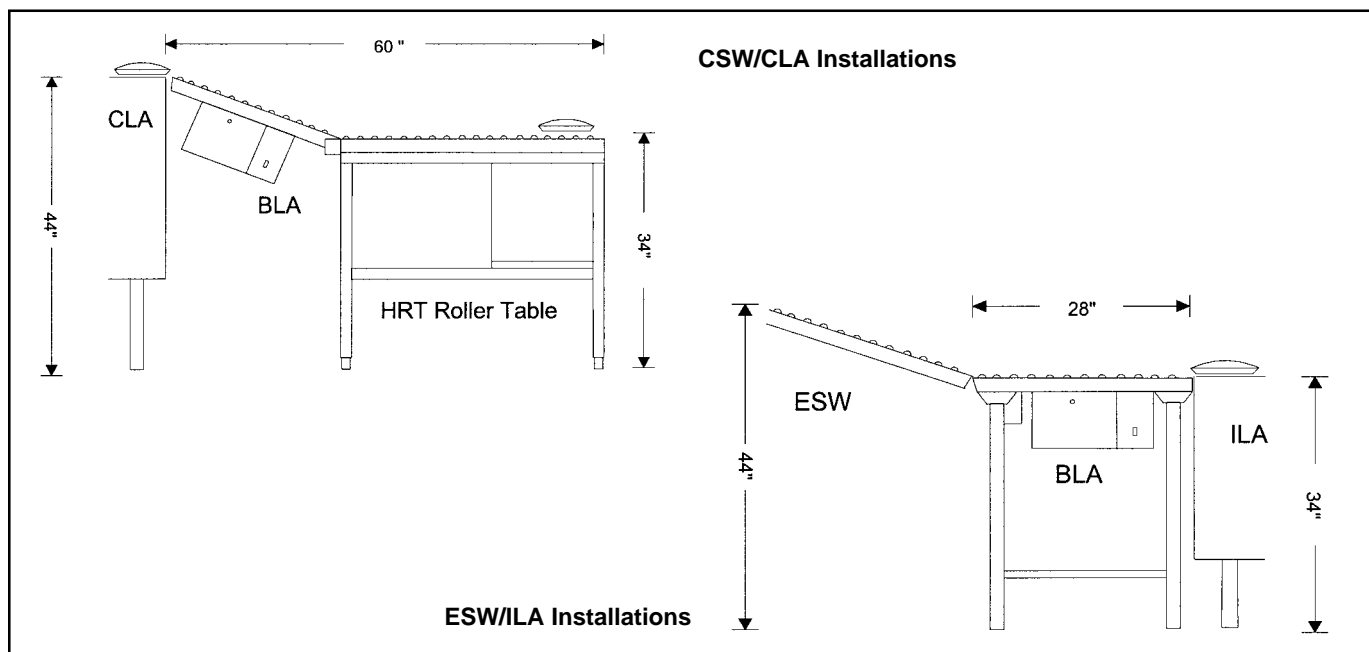
- Less expensive than using pre-printed film.



Top View

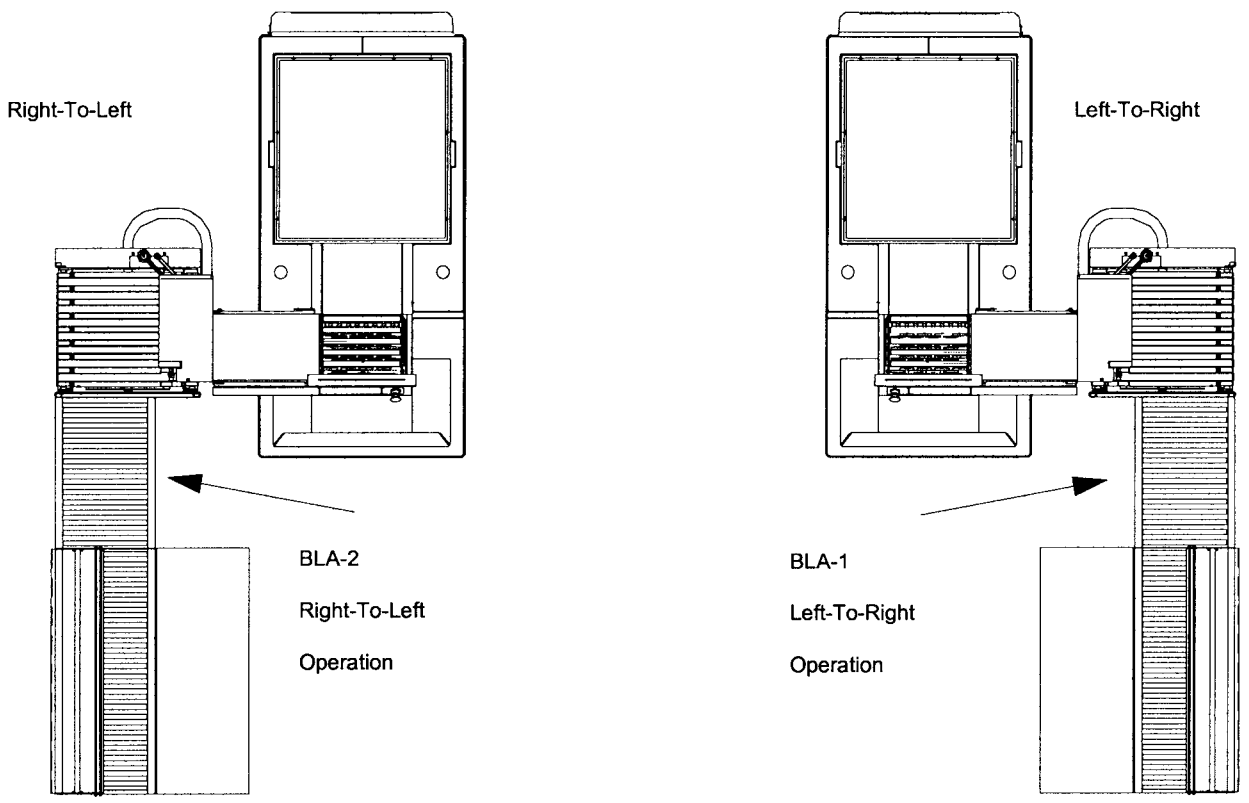


Bottom View



# BOTTOM LABEL APPLIER BLA

## CSW/CLA Installations

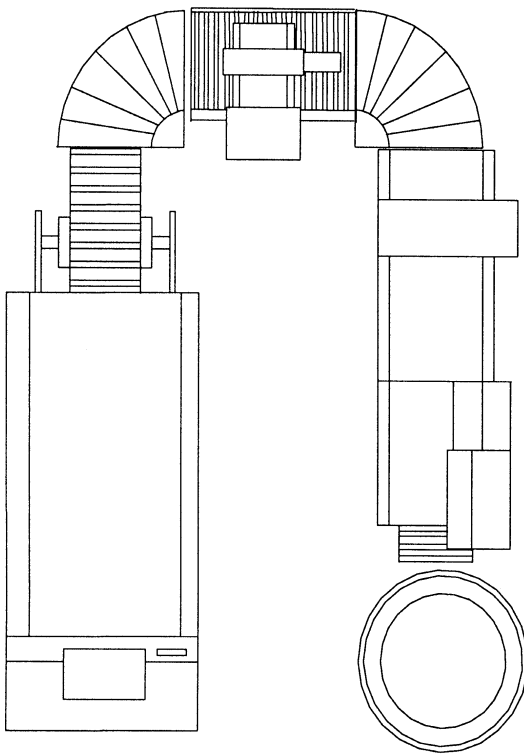


EQUIPMENT LIST	
<b>Bottom Label Applier</b>	
BLA-1	Bottom Label Applier, left-to-right operation, 110VAC, for use with Powered or Gravity Conveyors.
BLA-2	Bottom Label Applier, right-to-left operation, 110VAC, for use with Powered or Gravity Conveyors.
<b>Roller Table</b>	
HRT2-1	36" Long Work Area, 24" Long Adjustable Conveyor, 34" High, for use with NSW/CLA applications.
HRT3-1	48" Long Work Area, 24" Long Adjustable Conveyor, 34" High, for use with NSW/CLA applications.
<b>Accessories for Roller Table</b>	
HRT-LD136	Single Tier Label Dispenser, for 36" Wide Table.
HRT-LD236	Double Tier Label Dispenser, for 36" Wide Table.
HRT-LD248	Double Tier Label Dispenser, for 48" Wide Table.
HRT-LABKIT	Kit of 49 additional round disks to go between each roll of labels, (each dispenser comes with 20).

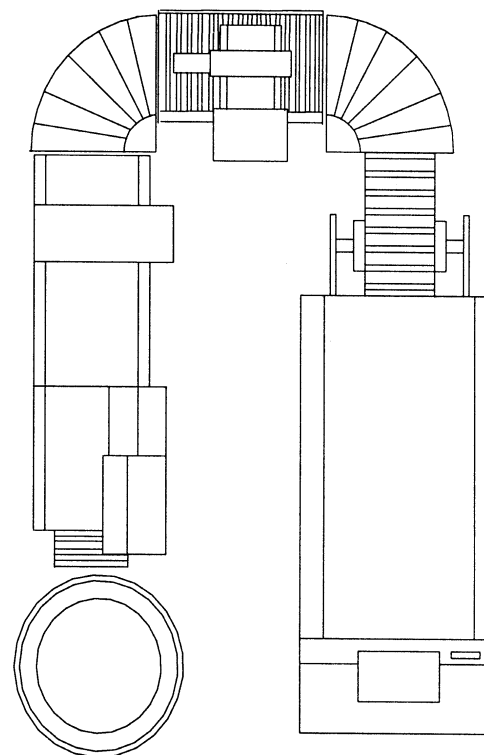


## ESW/ILA/HPA Installations

**BLA-2**  
 Right-To-Left  
 Operation



**BLA-1**  
 Left-To-Right  
 Operation



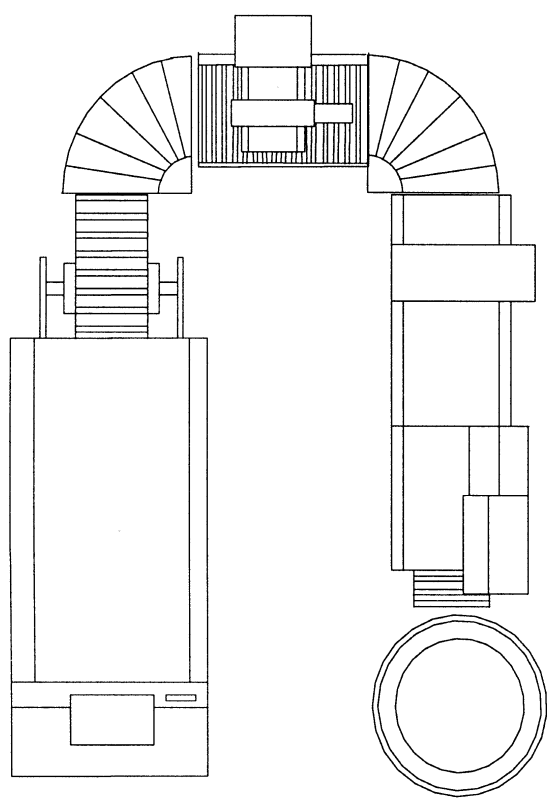
### EQUIPMENT LIST

EQUIPMENT LIST	
<b>Left to Right Installations</b>	
BLA-1	Bottom Label Applier, left-to-right operation, 110 VAC, for use with Powered or Gravity conveyors.
BLA-PCONLR	Powered Roller Conveyor, 28" long x 14" wide, left-to-right operation, 110 VAC
<b>Right to Left Installations</b>	
BLA-2	Bottom Label Applier, right-to-left operation, 110 VAC, for use with Powered or Gravity conveyors.
BLA-PCONRL	Powered Roller Conveyor, 28" long x 14" wide, right-to-left operation, 110 VAC
<b>Optional</b>	
BLA-HPAKIT	HPA installation kit, post mounting hardware and new micro switch w/cable

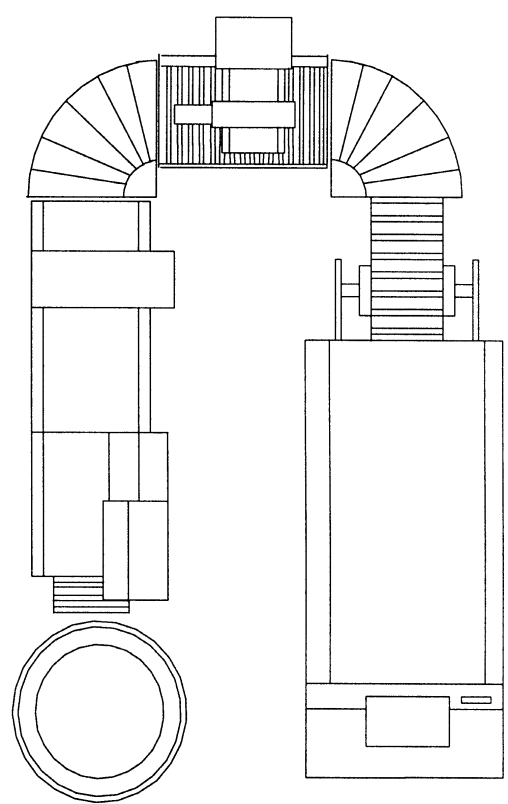
# BOTTOM LABEL APPLIER BLA

## ESW/ILA/HPA Installations

**BLA-1**  
 Left-To-Right  
 Operation



**BLA-2**  
 Right-To-Left  
 Operation

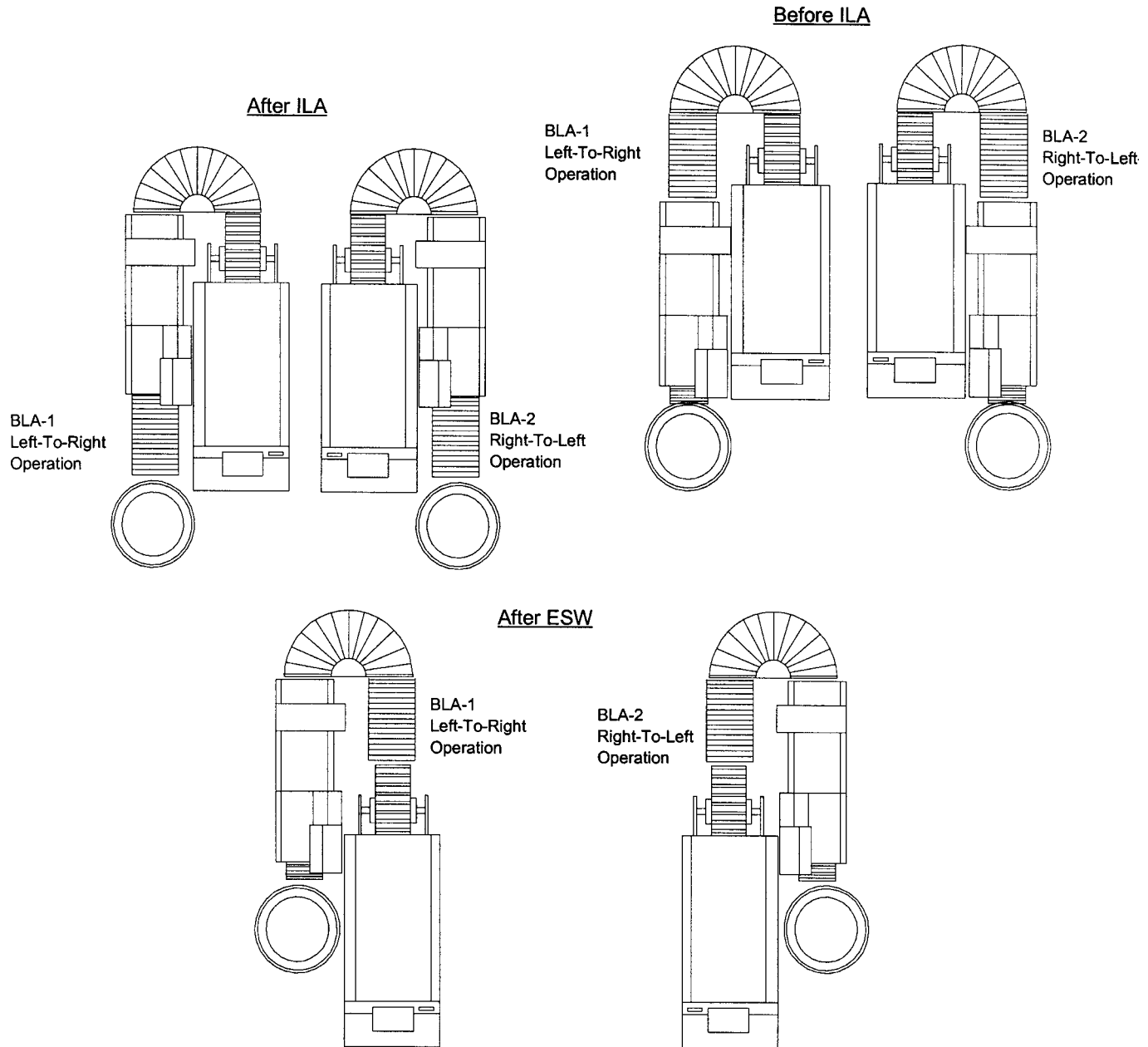


### EQUIPMENT LIST

<b>Left to Right Installations</b>	
BLA-1	Bottom Label Applier, left-to-right operation, 110 VAC, for use with Powered or Gravity conveyors.
BLA-PCONLR	Powered Roller Conveyor, 28" long x 14" wide, left-to-right operation, 110 VAC
<b>Right to Left Installations</b>	
BLA-2	Bottom Label Applier, right-to-left operation, 110 VAC, for use with Powered or Gravity conveyors.
BLA-PCONRL	Powered Roller Conveyor, 28" long x 14" wide, right-to-left operation, 110 VAC
<b>Optional</b>	
BLA-HPAKIT	HPA installation kit, post mounting hardware and new micro switch w/cable

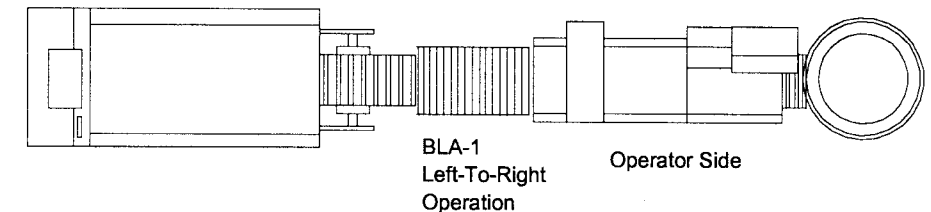


## ESW/ILA Installations

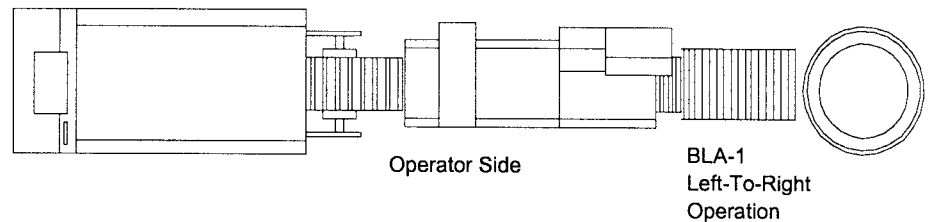
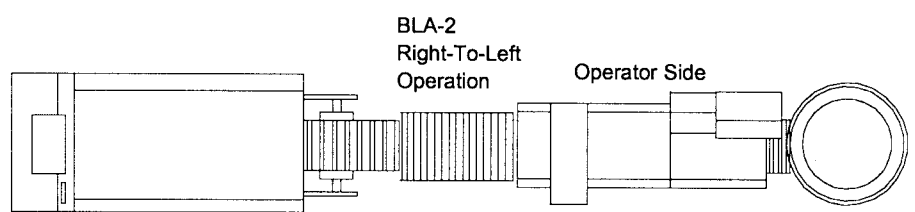


EQUIPMENT LIST	
<b>Left to Right Installations</b>	
BLA-1	Bottom Label Applier, left-to-right operation, 110 VAC, for use with Powered or Gravity conveyors.
BLA-PCONLR	Powered Roller Conveyor, 28" long x 14" wide, left-to-right operation, 110 VAC
<b>Right to Left Installations</b>	
BLA-2	Bottom Label Applier, right-to-left operation, 110 VAC, for use with Powered or Gravity conveyors.
BLA-PCONRL	Powered Roller Conveyor, 28" long x 14" wide, right-to-left operation, 110 VAC
<b>Optional</b>	
BLA-HPAKIT	HPA installation kit, post mounting hardware and new micro switch w/cable

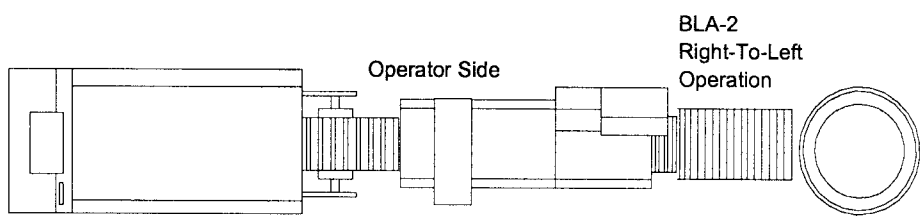
**ESW/ILA Installations**



Before ILA



After ILA

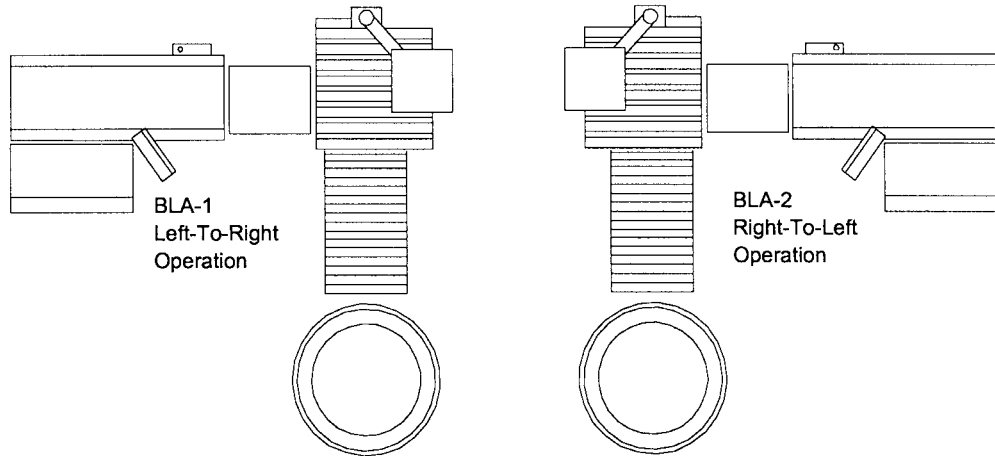
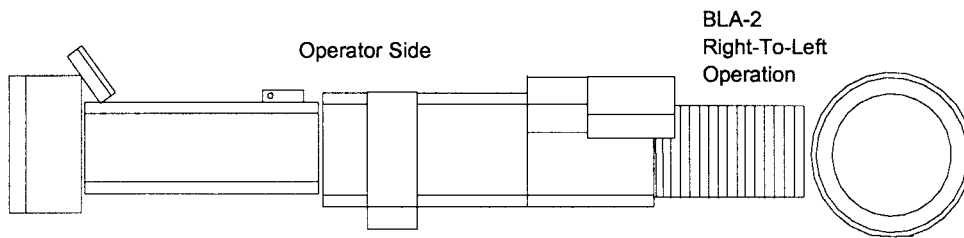
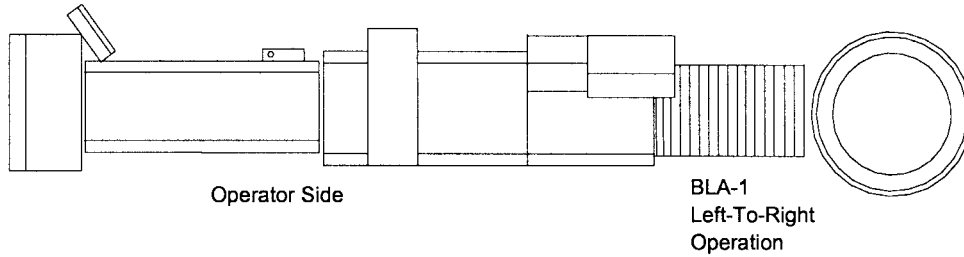


<b>EQUIPMENT LIST</b>	
<b>Left to Right Installations</b>	
BLA-1	Bottom Label Applier, left-to-right operation, 110 VAC, for use with Powered or Gravity conveyors.
BLA-PCONLR	Powered Roller Conveyor, 28" long x 14" wide, left-to-right operation, 110 VAC
<b>Right to Left Installations</b>	
BLA-2	Bottom Label Applier, right-to-left operation, 110 VAC, for use with Powered or Gravity conveyors.
BLA-PCONRL	Powered Roller Conveyor, 28" long x 14" wide, right-to-left operation, 110 VAC
<b>Optional</b>	
BLA-HPAKIT	HPA installation kit, post mounting hardware and new micro switch w/cable

# BOTTOM LABEL APPLIER BLA



## Semi-Automatic Installations



### EQUIPMENT LIST

EQUIPMENT LIST	
<b>Left to Right Installations</b>	
BLA-1	Bottom Label Applier, left-to-right operation, 110 VAC, for use with Powered or Gravity conveyors.
BLA-PCONLR	Powered Roller Conveyor, 28" long x 14" wide, left-to-right operation, 110 VAC
<b>Right to Left Installations</b>	
BLA-2	Bottom Label Applier, right-to-left operation, 110 VAC, for use with Powered or Gravity conveyors.
BLA-PCONRL	Powered Roller Conveyor, 28" long x 14" wide, right-to-left operation, 110 VAC
<b>Optional</b>	
BLA-HPAKIT	HPA installation kit, post mounting hardware and new micro switch w/cable



701 RIDGE AVENUE  
TROY, OHIO 45374-0001

LITHO IN U.S.A. (H-02)

Printed On Recycled Paper