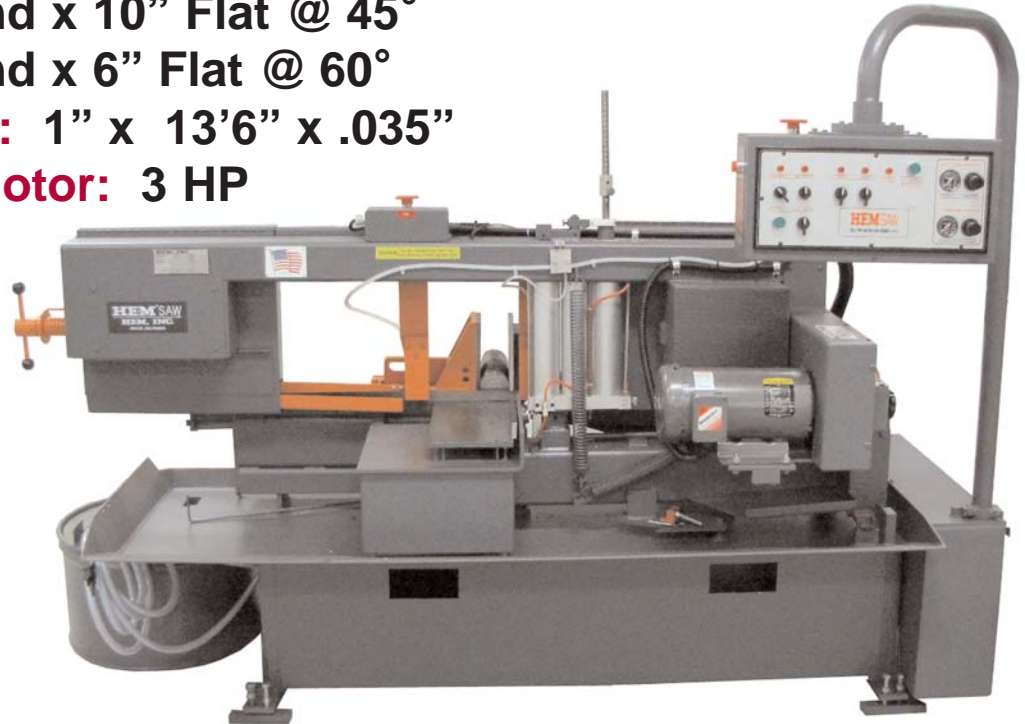




Horizontal Series Sidewinder M

Capacity: 12-3/4" Round x 16" Flat @ 90°
10" Round x 10" Flat @ 45°
6" Round x 6" Flat @ 60°
Blade Size: 1" x 13'6" x .035"
Motor: 3 HP



Packaging - Processing
Bid on Equipment
1-847-683-7720
www.bid-on-equipment.com

DESIGNED AND BUILT IN THE
U.S.A.

Standard Features:

- Easy View Control Console - Manual Control
- Variable Vise Pressure
- Shaft Driven Power Blade Brush
- Blade Break Switch
- Manual Blade Tension
- Manual Guide Arm Adjustment
- 1 Hold Down Fixture
- Wash Down Hose
- Flood Style Coolant System
- 18" Exit Support



Optional Features:

- Reduced Capacity Top Clamp - Main Vise
- Laser Light System
- Full Width Discharge Plate
- Spray Mist Coolant System
- Pedestal Mounted Control

www.hemsaw.com

P. O. Box 1148 • Pryor, OK • 74362

Toll Free: (888) 729-7787 • Phone: (918) 825-4821

Fax: (918) 825-4824 • E-Mail: info@hemsaw.com