

Computer Combination Net Weigh Scales

Yamato DATAWEIGH® SIGMA F1 - COMPACT



- **High Accuracy, Small Target Weighing**
 - The Compact design offers the optimum in weighing accuracy on small target weights.
- **Space Efficient**
 - The small footprint and reduced height of the weigher allows simple integration into the existing packaging and processing lines.
- **Fragile Product Handling**
 - The Compact design offers the benefit of reduced dropheights and chute lengths so minimizing product falldistance.



Barry-Wehmiller

Computer Combination Net Weigh Scales Yamato DATAWEIGH® SIGMA F1 - COMPACT

Advanced Interactive COLOR Touch Screen

AICC-SE Advanced Interactive Command Console RCU810-A

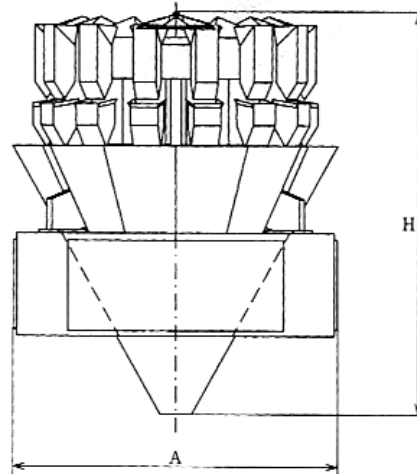
- Optional Web Camera
- Optional Bar Code Reader
- Access port for Key board, Ethernet, CompactFlash to memorize production parameters & Scale operation parameters
- Built-in Printer

COLOR Touch Screen

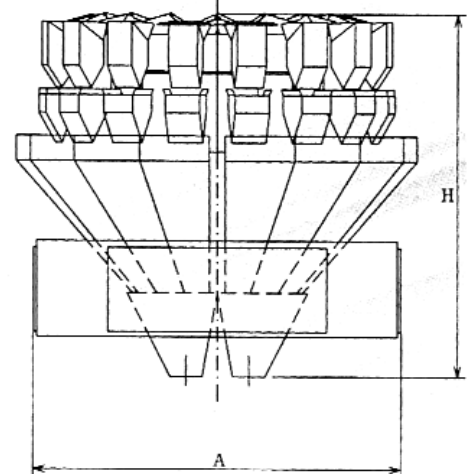
- Large (10.4") color touch screen offers a clear graphic display
- Color choice enhanced setup procedures minimizes potential errors
- Clear display in the most adverse light conditions
- Quick screen to screen response

OUTSIDE DIMENSIONS

SINGLE



TWIN



Self-diagnosis

- Optional Web Camera
- Self check to RAM/ROM communications, monitoring of voltage to actuator unit, zero point and load cell
- Event logs

Advanced Software Options

- Multilingual (17 languages)
- 300 programs sorted by number, name or optional barcode
- Auto Programming tool
- Fully programmable operational parameters

Model	Weigh Heads	Weight (g)	Volume per Pack (ml)	Speed (p/m)	Max # of discharge points	Dimensions	
						A(mm)	H(mm)
214SD/SW	14	200	500	160	2	800	790
216SD/SW	16	200	500	180	2	900	840
216MD/MW	16	200	500	240	2	900	940
220SD/SW	20	200	500	240	2	1,100	920
224MD/MW	24	200	500	300	4	1,250	1,400
314SD/SW	14	500	1,000	160	2	800	790
316SD/SW	16	500	1,000	180	2	900	840
316MD/MW	16	500	1,000	240	2	900	940
320SD/SW	20	500	1,000	240	2	1,100	920
324MD/MW	24	500	1,000	300	4	1,250	1,400

Packaging - Processing
Bid on Equipment
1-847-683-7720
www.bid-on-equipment.com

HayssenSandiacre

USA - 225 Spartangreen Boulevard • Duncan, SC 29334 USA • 864/486-4000

UNITED KINGDOM - 16 Roman Way • Thetford, Norfolk IP24 1XB United Kingdom • + 44 (0) 1842 754171

UNITED KINGDOM - 101 Lilac Grove • Beeston, Nottingham, NG9 1PF • United Kingdom • +44 (0) 115 967 8787

MEXICO - Castorena 324-118 • Cuajimalpa • 05000 México, D.F • +(52-55)5813-7770

www.hayssensandiacre.com • sales@hayssensandiacre.com