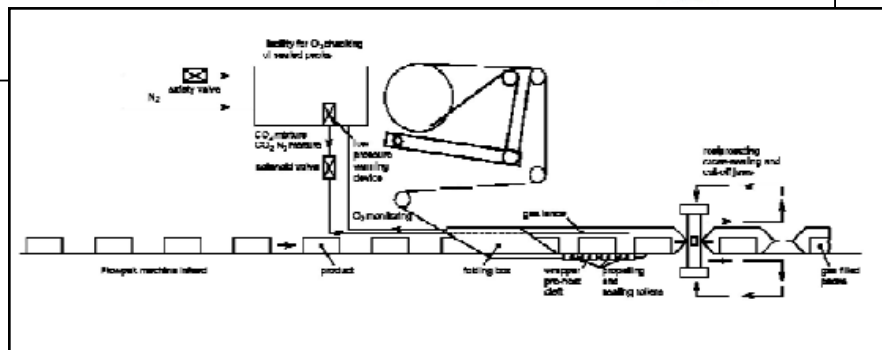


HayssenSandiacre

ROSE FORGROVE High Seal Integrity Flow Wrapper Integra



Features:

■ High Output

- High integrity sealing at up to 110 wraps/minute.

■ Hygienic

- All product contact parts manufactured from stainless steel or food grade plastic.
- Full stainless steel construction option for harsh environments.
- Easy clean cantilevered initial and final discharge belts.

■ Reduced Setup Times

- Pentium-based PC or Allen-BradleyControLogix PLC control systems with graphics-style touch screen operator interface for fast operation, including storage and retrieval for 100 product recipes.

- Quick change infeed lugs or paddles.
- Low level single film reel mounting.
- Push-button adjustment of crimp jaw and carriage motion profiles.

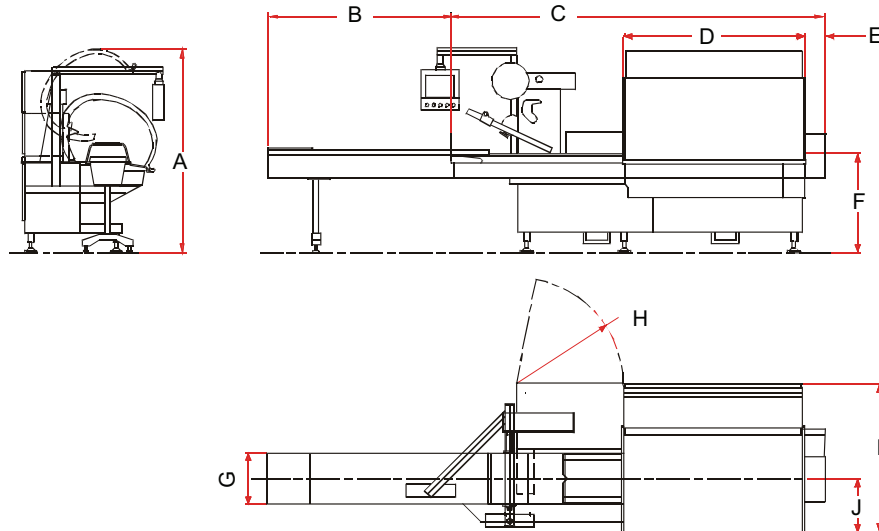
■ Reduced Waste

- 'No product-no bag' feature keeps film waste to a minimum.
- Misplaced product detection eliminates product damage and avoids jams.

Barry-Wehmiller

ROSE FORGROVE High Seal Integrity Flow Wrapper Integra

Dim	
A	1580 (62.20)
B	To suit application
C	3376 (132.91)
D	1640 (64.56)
E	188 (7.40)
F	900 (35.43)
G	450 (17.71)
H	952 (37.48)
I	1344 (52.91)* 1394 (54.88)**
J	489 (19.25)* 539 (21.22)**
*for 450/750 (17.71/29.52) wide reel widths	
**for 900 (35.43) wide reel widths	
Dimensions in mm with equivalent inches in brackets	



Technical Data

All information given below is dependent upon final machine specification, feed arrangement, product type, options selected and film specification.

Electric Supply and Consumption

400V, 3-phase 50 cycles plus neutral and earth.

Up to 40 amps/phase.

Operating Pressure

5.6bar (80lbs/sqin) (minimum).

Air Consumption

Minimal but dependent upon options selected.

Environmental Conditions

Ambient temperature range: 0 to 40 degrees Celsius (104 degrees Fahrenheit).

Humidity: 0 to 80% non-condensing.

Standard sealing: IP54.

Weight

2,500kg (5,500lb).

Wrap Size Range

Product wrapped length up to 540mm (21.25in).

Product width from 20 to 300mm (0.78 to 11.81in).

Product height up to 150mm (5.90in).

Wrapper width up to 450 or 750mm (17.71 or 29.52in).

Output

Up to 110 wraps/minute.

Reel Mandrel

Core: 76mm (3in).

Outside Diameter: maximum 330mm (13in).

Weight/Mandrel: 25kg (55lb).

Wrapping materials

Suitable coated cellulose films; heat-sealable lacquered materials; coated polypropylene; co-extrusion and plastics laminated to paper; film or foil.

For MAP packaging: all common single or multi-layered coated barrier films, clear, printed, pearlescent or metallised.

Standard Features

- Range of optional, fully- and semi-automatic feeders.
- 270 mm (10.62 in) wide crimp jaws and 450 mm (17.71 in) reel width.
- Remote diagnostics via modem.
- Pack tight/loose control.
- Driven wrapper pre-feed.
- Low noise level operation.
- On-screen statistics and diagnostics help speed and simplify the flow wrapping process.
- Operator changeable fixed folding box.
- 'Dial-in' dwell time facility for constant cross seal parameters regardless of speed changes.
- Individual temperature control of top and bottom crimp jaws.
- Crimp height adjustment.
- Multi-axis servo drives for outstanding versatility.
- One set of heated long seam rollers and a heated clef.
- Pressure adjustment for long seam rollers.
- Full machine status display.
- Out of temperature alarm stops machine.
- 2m (78.75 in) infeed with multi-pitch chain.
- Designed and manufactured to comply with European machinery directives and British Standard BS 5304:1988.
- Several interface languages as standard and others optional, upon request.

Optional Features

- Left or right hand machine configuration.
- Stainless steel or painted mild steel construction, with choice of paint colour.
- Gas flushing (MAP).
- Gas analyser.
- Gas mixer.
- Infeed extensions.
- Slatted chain infeed.
- Lipped side guides.
- Stainless steel infeed.
- Quick release/removable infeeds.
- Special design infeeds.
- Additional film reel mounting.
- Film auto-splice with twin reel mounting.
- Coding units (various) and label applicators.
- Photo-electric cell wrapper registration.
- Reel run out detection.
- 70mm (2.75 in) diameter reel core.
- Operator adjustable folding box.
- Two sets of heated long seam rollers.
- Water cooled long seal deadplates (mains or chiller cooling system).
- Mechanical gussetting - only available on 270 mm (10.62 in) wide crimp jaws.
- Interlocking with other plant items.
- Pack padder.
- Special knives.
- Discharge pack reject station.
- Servo driven cross belt feeder.
- Servo driven inline feeder.
- 750mm (29.52 in) wide reel width.
- 400mm (15.74 in) wide crimp jaws.
- 900mm (35.43 in) wide reel width.
- 450mm (17.71 in) wide crimp jaws.
- PLC - Allen-Bradley Kinetix 6000 servo systems with Sercos interface.
- PC - Allen-Bradley PC1394 servo systems.

HayssenSandiacre

USA - 225 Spartangreen Boulevard • Duncan, SC 29334 USA • 864/486-4000

UNITED KINGDOM - 16 Roman Way • Thetford, Norfolk IP24 1XB United Kingdom • +44 (0) 1842 754171

UNITED KINGDOM - 101 Lilac Grove • Beeston, Nottingham, NG9 1PF • United Kingdom • +44 (0) 115 967 8787

MEXICO - Castorena 324-118 • Cuajimalpa • 05000 México, D.F • +(52-55)5813-7770

www.hayssensandiacre.com • sales@hayssensandiacre.com