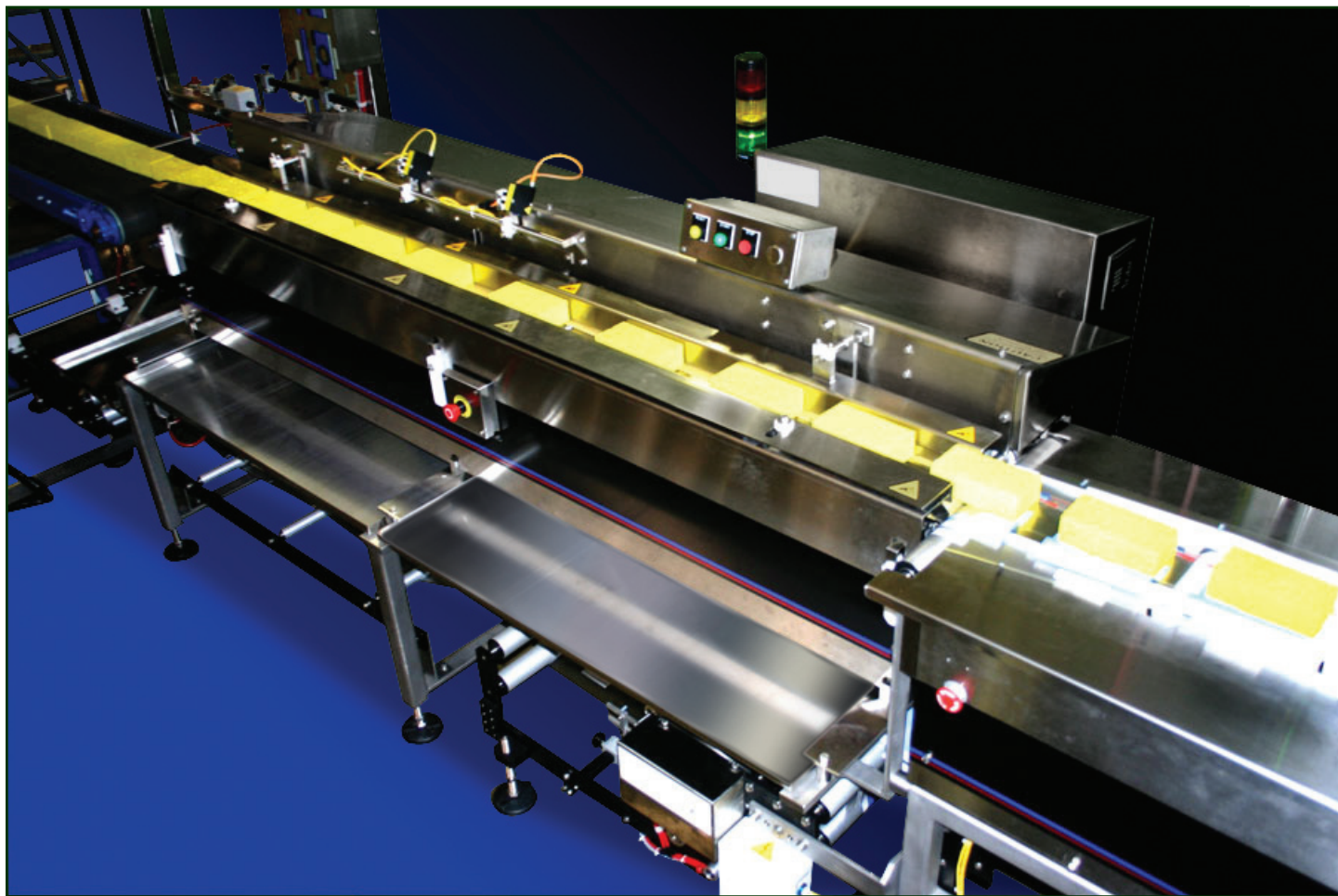


# HayssenSandiacre

## POSI-Placement Infeed



### Key Features

- Random to timed product feed to HayssenSandiacre RT wrapper
- Servo drive technology
- All stainless steel construction
- Product positively placed onto film
- Can be fully integrated to HayssenSandiacre RT 2000 or independently interfaced to existing RT machines and 3rd party wrappers

# Barry-Wehmiller

ACCRAPLY

Barry-Wehmiller  
International Resources

pneumatic  
SEAL ANGELOUS®

HayssenSandiacre



MarquipWardUnited

Thiele  
Technologies

DESIGN DG GROUP

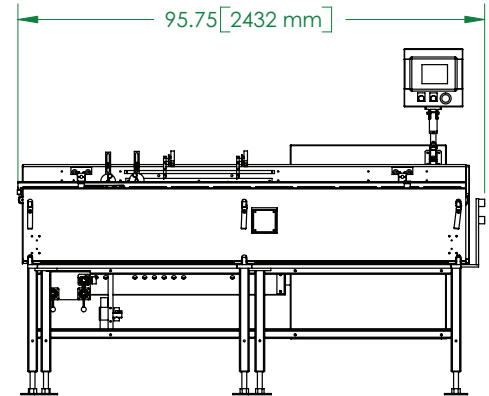
FleetwoodGoldcoWyard

# POSI-Placement Infeed

The Posi-Placement infeed conveyor requires little upstream product accumulation. This accumulation can account for some significant product flow gaps and surges. However, the more product accumulation available, the more inconsistency of product flow the Posi-Placement can manage reliably.

A series of photo eyes mounted over the product accumulation are used to monitor the amount of stored product. Based on the amount of product present, the RT and Posi-Placement will increase or decrease speed as needed in order to keep the system running. There are multiple degrees of flexibility in manipulating the product flow to the Posi-Placement and wrapper combination.

The Posi-Placement accepts the product, head to tail, from an accumulation conveyor. It draws a gap between the products based on package length. At this point, chain pins positively place the product onto the RT wrapper.



*Dimensions shown are approximate and subject to change. Consult factory for exact figures.*

## Production Rate

Up to 250 per minute (subject to product and packaging material evaluation)

## Package Range

Minimum Width: 1.75" (44.5 mm)  
 Minimum Length: 2" (50 mm)  
 Minimum Height: 0.25" (6.5 mm)

Maximum Width: 4.25" (108 mm)  
 Maximum Length: 12" (305 mm)  
 Maximum Height: 2.5" (65 mm)

## Power Requirements

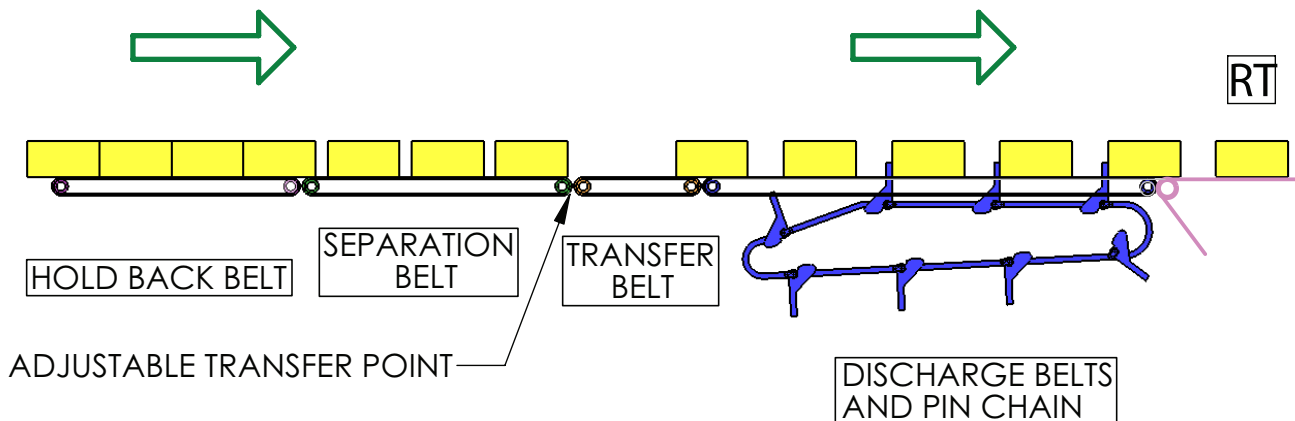
230 vac, single phase, 50 or 60 hz, 15 amp service

## Air Requirements

80 psi (negligible consumption)

**Latin America**  
 Castorena 324-118, Cuajimalpa, 05000  
 Mexico, D.F.  
 Ph. +52(55)58137770  
 salesla@hayssensandiacre.com

**Europe**  
 101 Lilac Grove, Beeston, Nottingham  
 NG9 1PF United Kingdom  
 Ph. +44 (0) 115 967 8787  
 sales@hayssensandiacre.co.uk



# HayssenSandiacre

225 Spartangreen Boulevard, Duncan, SC 29334 • (864) 486-4000  
 sales@hayssensandiacre.com • www.hayssensandiacre.com