

HAMILTON DRAINS & VALVES

Sanitary-design
outlets, sampler

Optional equipment
for all kettles
and mix cookers,
15 to 500-gallons

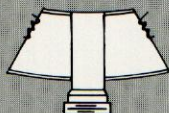


Figure 1 — Sanitary Acme Thread (No. 15). This ferrule may be used in connection with a variety of sanitary outlet valves, fittings and pumps.



Figure 2 — I.P.S. Pipe size nipple which is adaptable to any pipe size fitting or valve.



Figure 3 — Sanitary clamp end which can be utilized with a variety of quick-disconnect valves and fittings

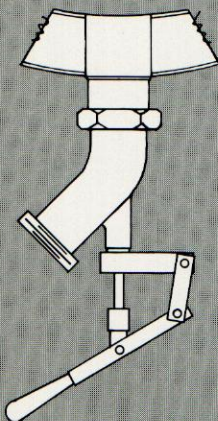


Figure 4 — Quick-opening, sanitary, flush type plug valve is lever operated and provided with sanitary thread on outlet side. It is available in type #316 stainless steel in 1½, 2 and 3-inch sizes and is equipped with removable "O" ring seals and cool type handle that operates also as a locking feature in holding the valve plug in any open position by a slight turn on the handle. Valve body can be rotated to any desired location irrespective of the handle location.

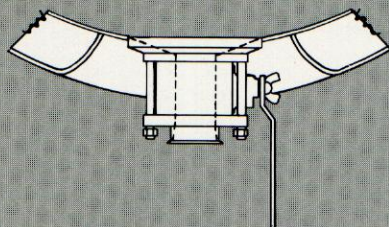


Figure 5 — Quick-opening, sanitary, flush type ball valve is lever operated. It is available in stainless steel in sizes from 1 to 4 inches. Can be supplied with sanitary thread or clamp end on outlet side. Also available with air actuator.

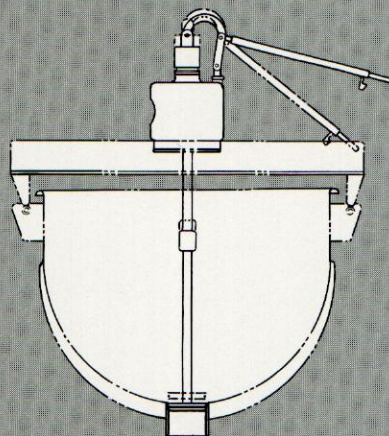
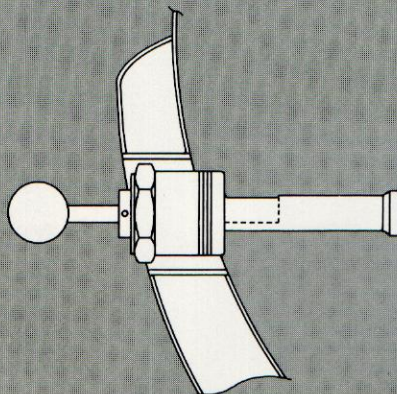


Figure 6 — This exclusive Hamilton sanitary plug type flush valve is operated by lever action through the agitator and support bridge on top of kettle. Available in sizes up to 8-inches, this outlet valve is designed especially for use on double motion mix cookers for those products which are not readily drained through a small-diameter outlet. An air actuated style is also available.



Spoon Sampler Valve

Custom-crafted Standards, Options

All kettles are provided with a sanitary or non-sanitary design outlet to discharge product being processed on the following basis:

- **Standard Kettle Outlets — Figures 1, 2, and 3 (Furnished at no extra charge)**

Unless otherwise specified, all kettles or mix cookers will be supplied with either Number 15 sanitary threaded outlet nipple, (Figure 1), I.P.S. pipe nipple, (Figure 2), or sanitary clamp end connection, (Figure 3). Please indicate when ordering the desired fitting Figure Number.

- **Optional Kettle Outlet Valves — Figures 4, 5, and 6 (supplied at modest additional cost)**

Users may select any of the standard valves herein described for emptying the product from kettle or mix cooker, or specify other specialized design valves for incorporation in their Hamilton unit.

Figure 4 is a flush type plug valve, Figure 5 is a flush type ball valve, Figure 6 is an extended plug type flush valve. Consult factory for price and availability or specify type on order.

Sanitary Spoon Sampler Valve

Available for use on kettles and vacuum cookers, the spoon sampler delivers precise 1.17 cubic inch samples directly from the product zone every time. It is used effectively when operating either under vacuum or pressure conditions. Fast and easy, it requires only a simple pull-turn to remove a sample from a batch. Completely sanitary in polished stainless steel construction, it need not be removed from vessel for cleaning. Precision-ground seats and accurately-formed rubber gaskets prevent leaking through wall. Its design simplicity obviates the need for complex piping, valves and screws.

Specifications and dimensions shown are standard and correct at the time of printing. They may be modified to coincide with specific customer requirements. The company reserves the right to change or alter specifications and designs or to discontinue manufacture without notice or without incurring obligation.

COVERS AND
VALVES

HAMILTON

Packaging – Processing

Bid on Equipment

1-847-683-7720

www.bid-on-equipment.com

KETTLES