

Batch Tumble Chiller

- CKTC [200 Gal.]
- CKTC [300 Gal.]



General Description:

CapKold Model CKTC_____ batch front loading rotating drum ice water bath tumble chiller is designed to rapidly chill food packaged in flexible plastic casings from 180°F to 40°F in approximately 60 minutes after introduction of the last casing (depending on product and packaging). Unit features a compact design with integrated, pre-piped chilled water heat exchanger and all stainless construction for long life, easy cleaning and low profile unit height.

Standard Features:

- Stainless steel construction throughout
- Drum sized to hold and chill contents of up to 200 or 300 gallon kettle
- Full drum rotation
- Inclined loading chute allows continuous loading of product while drum is in motion
- Pre-piped circulating water pump with inline filter
- Automatic water fill and drain, with 2 pre-set water levels to save water when chilling a smaller batch
- Temperature control thermostat to assure product water bath is 40°F or below, before door can be opened for unloading
- Steam heated water cleaning capability for interior cleaning in place
- Emergency override door switch
- Emergency override drain switch
- Pre-piped for single point utility connections
- Manufactured to latest sanitary standards and HACCP compliant

Integral Control Package:

- Left or Right side mounting door hinge (specify order)
- Left or Right side mounting control package mounting (specify on order)



All operating controls are contained in a convenient eye level, front mounted control panel. Control package includes:

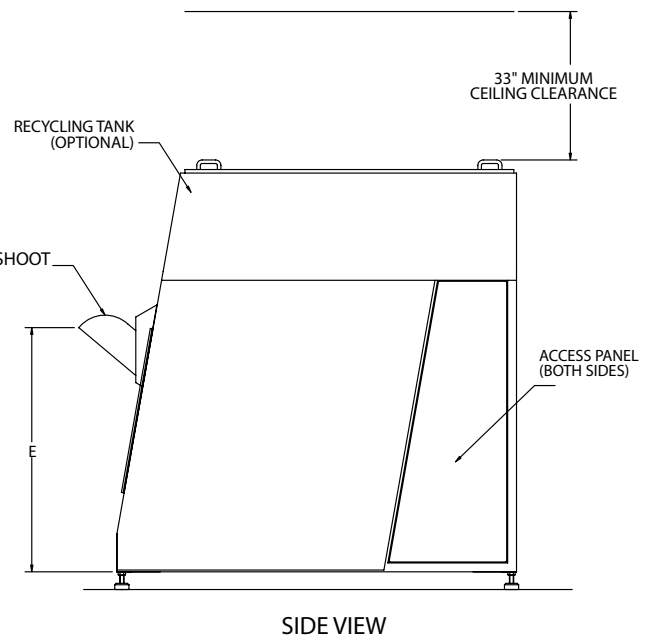
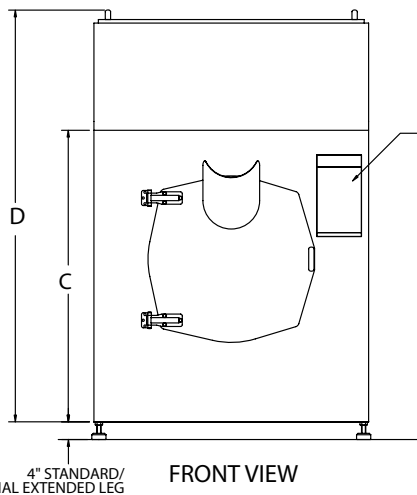
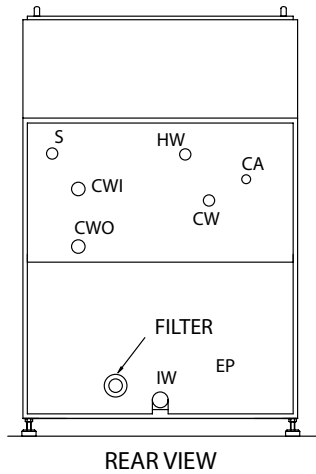
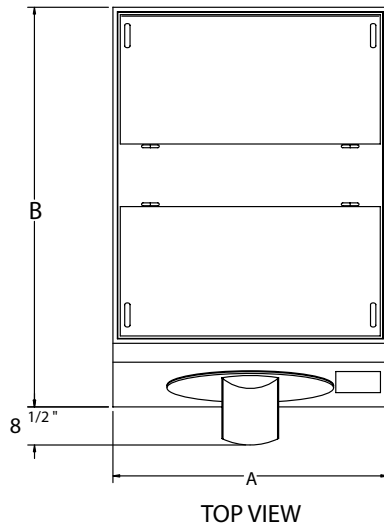
- Stop switch
- Start switch
- Door switch which operates drain and door automatically
- Water level switch - half/full product volume
- Digital temperature readout
- 99 minute timer
- Steam heated water clean switch

Options:

- Time/temperature chart recorder
- Chlorine injector (For automatic sanitizing of chilling water)
- Recycling Tank (For recycling cooling water)
- Prison package
- Hot water cleaning
- Oscillation mode
- 19" legs

Accessory:

- Loading conveyor (See CKCV)



PHYSICAL DIMENSIONS

MODEL	A	B	C	D	E
CKTC-200 Gal.	61"	77-1/4"	70-3/4"	92"	56-1/4"
CKTC-300 Gal.	61"	88-3/4"	68-3/4"	95-1/2"	58-1/4"

RECOMMENDED CLEARANCES

RIGHT	LEFT	REAR
36"	36"	36"
36	36	36

UTILITY CONNECTIONS (ALL MODELS)

SYMBOL	CA	CW	HW	CWI	CWO	IW	S	EP
DESCRIPTION	COMPRESSED AIR INLET	COLD POTABLE WATER INLET	HOT POTABLE WATER INLET	COOLING WATER INLET	COOLING WATER OUTLET	INDIRECT WASTE	STEAM INLET	POWER SUPPLY
CONNECTION	1/4" NPT	1" NPT	1" NPT	1" NPT	1" NPT	2" NPT	3/4" NPT	3/4"

UTILITY REQUIREMENTS

MODEL	COMPRESSED AIR INLET	POTABLE WATER	COOLING WATER	INDIRECT WASTE	STEAM 15-100 PSI	ELECTRICAL	SHIPPING WEIGHT	OPERATING WEIGHT
CKTC-200 Gal.	1 CFM @ 80-90 PSI	20 GPM	40 GPM	60 GPM	300 LBS @ 45 PSI (OPTIMAL CLEANING)	208/3/60 @ 13A 240/3/60 @ 12A 480/3/60 @ 8A	2,200 LBS	5,700 LBS
CKTC-300 Gal.	1 CFM @ 80-90 PSI	30 GPM	40 GPM	60 GPM	300 LBS @ 45 PSI (OPTIMAL CLEANING)	208/3/60 @ 21A 240/3/60 @ 19A 480/3/60 @ 13A	2,600 LBS	7,200 LBS