

Low Volume Pump

CKPF-EZ

General Description:

CapKold model CKPF-EZ Pump is designed to draw product either from the top of a kettle (or other vessel) or directly from the draw off valve of the unit.

Standard Features:

- All Stainless steel piston pump
- Caster mounted
- All air actuated. No power required
- Manufactured to the latest sanitary standards and HACCP compliant
- Mobile, all stainless steel construction stand
- All stainless steel outlet piping
- Positive cut off nozzle for depositing product
- High temperature hose for connection to kettle. 4.5 feet long.
- Manual height adjustment
- Unique tilt mechanism allows for easy switching between kettles
- Foot pedal operation for depositing
- Speed control variable with pressure regulator

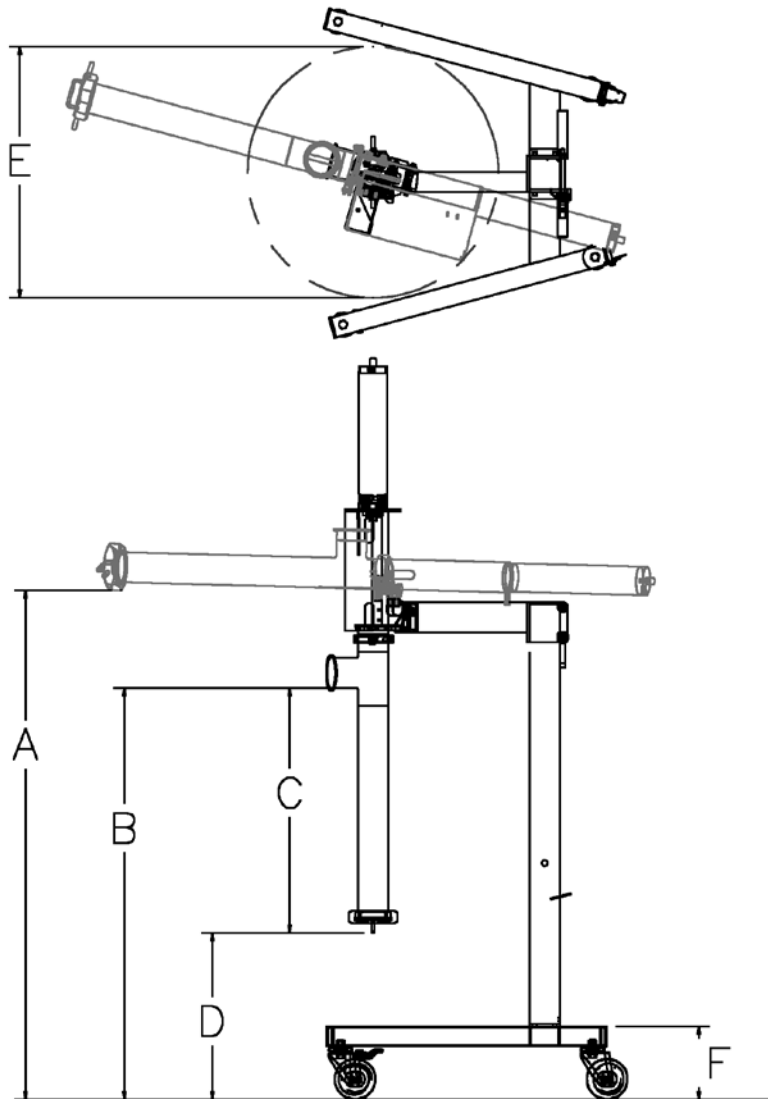
Controls:

- Air operated foot switch stops pumping immediately when not depressed
- Easy dispensing nozzle height adjustment

Options:

Hand held depositing wand




Air Requirements:

100 PSI at 4 CFM

Pumping Volume:

3 to 13 GPM depending on product

Cube Size:

up to one inch without degradation

Drawing Dimension		
Heights		
Tilt Height	A	50.7"
Maximum Bowl rim clearance in Up position	B	40.9"
Distance between Pump inlet and outlet (Maximum Bowl Depth)	C	24.4"
Maximum pump to floor clearance	D	16.5"
Bottom Frame		
Inside Width	E	25"
Bottom Frame Height	F	6"