

SURGE TANKS



*Medium Volume
In-line Configuration*
220157

*Large Volume
In-line Configuration*
238983

*Medium Volume
Tee Configuration*
233736

Reduces pulsation for smooth material delivery and superior finish quality

Features

- Reduces fluid pressure pulsation in circulating systems
- Reliable, long lasting diaphragm seal
- Models available with smooth, in-line flow configuration
- Model available with tee configuration
- Multiple fluid thread designs available

Benefits

- Consistent material delivery and uniform spray patterns
- Minimal maintenance required to refill diaphragm charge pressure
- Easy to flush and perform color changes
- Saves material and labor costs
- Allows isolation of surge tank to perform on-line maintenance
- Meets global system design requirements

Low Pulsation Performance and Superior Finish Quality with Graco Surge Tanks!

High Performance, Superior Finish

- Reduces fluid pressure pulsation in circulating systems for an outstanding finish

Lower Material and Labor Costs

- Reliable, long-lasting diaphragm seal minimizes charge pressure refills

Easy to Use

- Smooth in-line fluid passages are easy to flush and perform color changes
- Tee configuration is easy to maintain online

Versatile Configurations

- Models available with in-line and tee configurations
- Multiple fluid thread designs available to meet global system design requirements

Technical Specifications

1. Select the material of construction based on compatibility.
2. Select flow configuration.
3. Select the maximum flow requirements.
4. Select the thread design.

Surge tank	High Volume Stainless Steel Model	High Volume Carbon Steel Model	Medium Volume Stainless Steel Model	Medium Volume Stainless Steel Model
Material of construction	SST	CS	SST	SST
Flow configuration	In-line	In-line	In-line	Tee configured
Maximum fluid pressure	300 psi (21 bar, 2.1 MPa)	600 psi (42 bar, 4.2 MPa)	600 psi (42 bar, 4.2 MPa)	360 psi (25 bar, 2.5 MPa)
Maximum fluid flow*	20 gpm (76 lpm)	20 gpm (76 lpm)	15 gpm (57 lpm)	N/A** [Tank volume is 0.4 gal (1.5 l)]
Inlet/Outlet Thread size	2 npt(f) or 2 in (50.8 mm) or 1.5 in (38.1 mm) sanitary Tri-Clamp®	2 npt(f)	1 npt(f)/ 1 1/4 npt(f)	3/4 BSPP(f)
Maximum gas charge pressure	300 psi (21 bar, 2.1 MPa)	600 psi (42 bar, 4.2 MPa)	600 psi (42 bar, 4.2 MPa)	115 psi (8 bar, 0.8 MPa)
Instruction manual	307707	307707	307707	307707
Diaphragm repair kit	238875	218799	220844	198777

Note: npt is National Pipe Taper thread

BSPP is British Standard Pipe Parallel thread.

Tri-Clamp® is a registered trademark of Tri-Clover Inc.

*Maximum flow rates are recommended maximums for peak performance. Exceeding these values reduces the surge tank's ability to dampen pulsation.

**Maximum flow rate does not apply to tee configuration as it is not a flow through (in-line) design.

**High Volume
In-line Configuration
Stainless Steel**



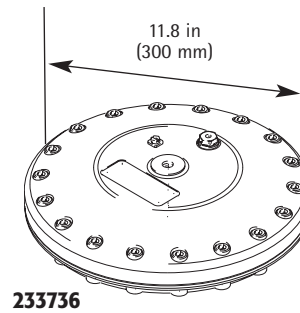
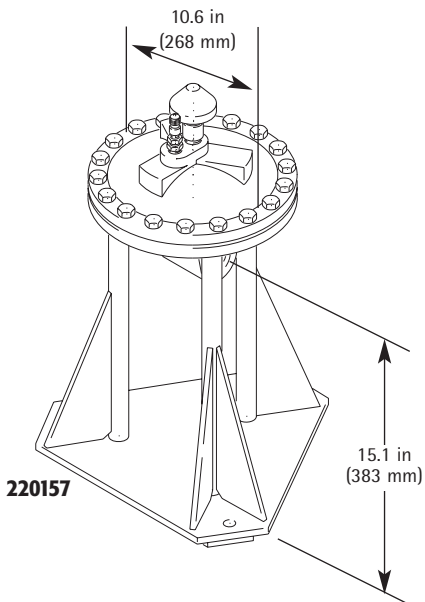
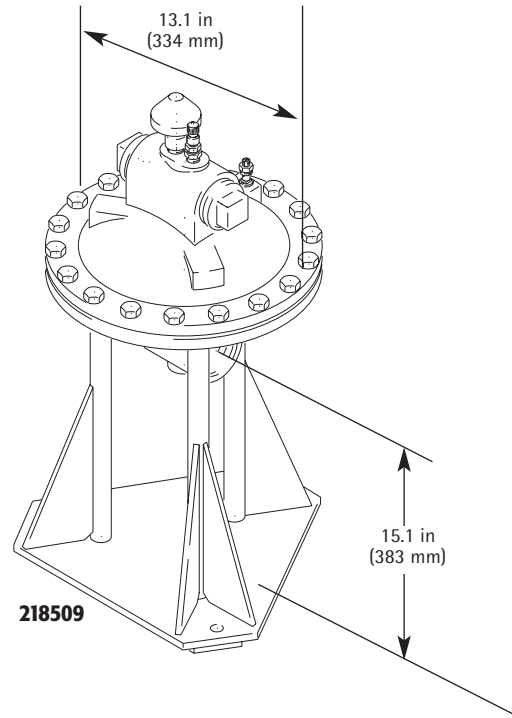
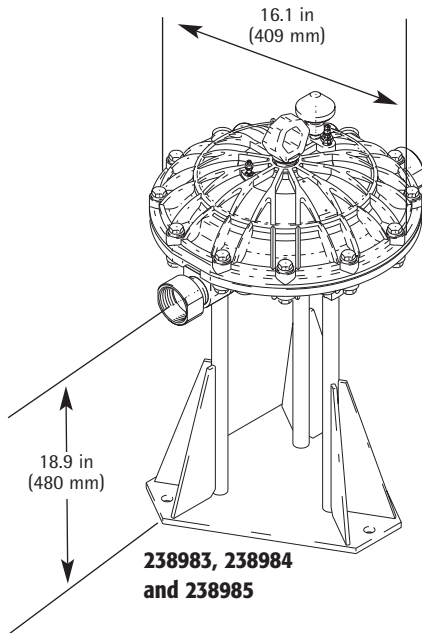
**Medium Volume
In-line Configuration
Stainless Steel**



**Medium Volume
Tee Configuration
Stainless Steel**



Dimension Drawings



Typical Fluids Handled

- Waterborne paints
- Solventborne paints
- Metallic mica paints
- High solid paints
- Commonly used solvents

Typical Applications

- Circulation systems using reciprocating piston pumps
- Automated systems with closed-loop fluid control
- Manual application circulation systems

SURGE TANKS

For further information, contact your local Graco Distributor.

Ordering Information

High Volume Stainless Steel Model

Ideal models for automated, closed loop fluid control systems. Improved flushability with in-line flow-through configuration. Fully waterborne compatible. Eliminates high frequency hydraulic hammer pulsation.

- 238983** Inlet/outlet: 2 npt(f)
- 238984** Inlet/outlet: 2 in (50.8 mm) sanitary Tri-Clamp
- 238985** Inlet/outlet: 1.5 in (38.1 mm) sanitary Tri-Clamp

High Volume Carbon Steel Model

Carbon steel model with high volume capability similar to 238983. Good flushability and pulse dampening characteristics with in-line flow-through configuration.

- 218509** Inlet/outlet: 2 npt(f)

Medium Volume Stainless Steel Model

Excellent model for use with mid-range High-Flo Pump Systems. Flushes easily for color change and maintenance. Fully waterborne compatible. Eliminates high frequency hydraulic hammer pulsation. In-line flow-through configuration.

- 220157** Inlet/outlet: 1 npt(f) x 1-1/4 npt(f)

Tee Configured Stainless Steel Model

Tee configuration allows isolation and on-site maintenance. Stainless steel wetted construction for waterborne capability. Compact configuration for limited space situations. Excellent price-to-performance value.

- 233736** Inlet/outlet: 3/4 BSPP(f)

Accessories

218742 Floor Stand Kit

Floor stand supports surge tank models 238983, 238984, 238985, 218509 and 222157.

222011 Grounding Clamp and Wire

12 gauge x 25 ft (7.6 m) wire.

Inlet/Outlet Fittings and Connectors

Accessories for surge tank models 238983, 238984 and 238985 to convert to different thread configurations.

- 187150** 1-1/2 npt(f) x 2 in (50.8 mm) sanitary
- 191771** 2 npt(f) x 2 in (50.8 mm) sanitary
- 188286** 1-1/2 in (38.1 mm) sanitary Tri-Clamp connection x 2 in (50.8 mm) sanitary
- 187004** 2 in (50.8 mm) sanitary Tri-Clamp connection x 2 in (50.8 mm) sanitary
- 107078** O-ring (one required with each inlet/outlet fitting)

Adapter Fittings for Surge Tank Model 233736

- 15A984** 3/4 bspt(m) x 3/4 npt(m), stainless steel. Use with surge tank model 233736 to convert fluid thread from BSPP to npt.
- 15A983** 1/4 bspt(m) x 1/4 npt(m), stainless steel. Use with surge tank model 233736 to convert air inlet thread from BSPP to npt.

All written and visual data contained in this document are based on the latest product information available at the time of publication. Graco reserves the right to make changes at any time without notice.



Call today for product information or to request a demonstration.

1.877.84GRACO (1-877-844-7226) or visit us at www.graco.com.

©2002 Graco Inc. Form No. 320449 Rev. A 5/02 Printed in the U.S.A.
All other brand names or marks are used for identification purposes and are trademarks of their respective owners.

Packaging - Processing
Bid on Equipment
1-847-683-7720
www.bid-on-equipment.com