

Straight dough line



Glimek Straight dough line is especially made for producing bread without need for an intermediate proving time. A very compact bread line with a capacity of up to 1800 pcs/h. The Straight dough line is a special selection of Glimek's efficient machines. All machines are produced in Sweden according to the CE-regulations.



Straight dough line

SD-180XS Suction dough divider



- Hopper 100 l
- CE-approved hopper guard
- Stainless steel covers
- Variable speed
- Very accurate scaling
- Stainless steel dough knife
- 5 m connection cable and CEE-plug
- Frequency converter drive
- Easy and safe handling and maintenance

Options:

- Flour duster, mechanical (stainless steel)

Weight range	70-1000 gr
Capacity	750-1800 pcs/hour

CR-310GM Conical rounder



- Centrally adjustable tracks
- Non-stick coated cone and tracks
- Rounding length up to 4 meters
- Patented

Options:

- Frequency converter
- Flour duster
- Cold/hot air blowing unit
- Outfeed conveyor
- Outfeed roller for sticky dough

Weight range	30-1800 gr
Capacity	Up to 3600 pcs/hour

CE100 Cup elevator



- Photocell controlled, working step by step to link up cone rounder with moulder type MO-671
- Electrical cabinet mounted on elevator

Weight range	70-1500 gr
Capacity	Up to 1800 pcs/hour

MO-671 Moulder "Midi"

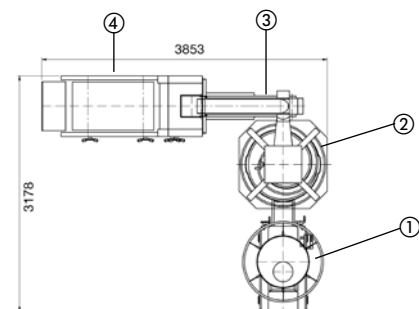
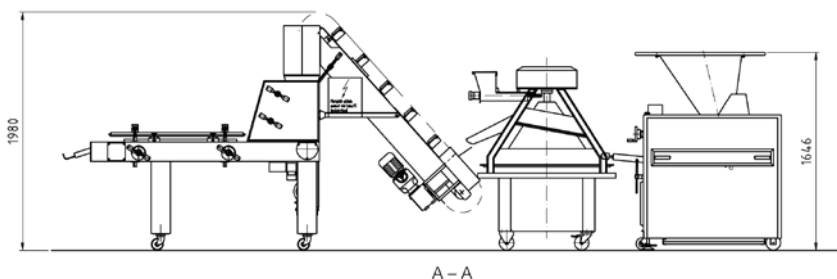


- Very flexible moulder
- Working width up to 650 mm
- Two pair of rollers
- Foldable pressure board with two wedges in food approved plastic

Options:

- Variable speed
- Lower side guides, non-stick coated

Weight range	30-1800 gr
Capacity	Up to 3000 pcs/hour



1. Dough divider SD-180XS with Hander up HU
2. Conical rounder CR-310GM
3. Cup elevator CE-100
4. Moulder MO-671