

Industrial bread line stainless steel



Stainless steel heavy-duty bread line. All machines are designed for continual bread processing and are well known for high quality materials, reliable availability and excellent baking results. The line has a capacity of up to 3000 pcs/hour. All machines are produced in Sweden according to CE-regulations.

Industrial bread line stainless with MO-360

SD-300 Suction dough divider



- Stainless steel
- PLC control with touch screen
- Frequency controlled drive
- Very accurate scaling
- Easy to convert between 1-pocket and 2-pocket drive

Options:

- Non-stick coated hopper
- Flour duster
- 59.5 US gal hopper
- Outfeed roller for sticky dough

		SD 300	SD 300 XL
Weight range	1-pocket	3.5 oz - 2.2 lb	8.8 oz - 5 lb
Weight range	2-pockets	1.4 oz - 14 oz	5.3 oz - 2.5 lb
Capacity	1-pocket	750-1500 pcs/hour	
Capacity	2-pockets	1500-3000 pcs/hour	

CR-310GM Conical rounder



- Stainless steel
- Centrally adjustable tracks
- Non-stick coated cone and tracks
- Rounding length up to 13 ft
- Patented

Options:

- Frequency converter
- Flour duster
- Cold/hot air blowing unit.
- Outfeed conveyor
- Outfeed roller for sticky dough

Weight range	1.05 oz - 4 lb
Capacity	Up to 3600 pcs/hour

IPP Intermediate pocket proofer



- Stainless steel
- Non-stick coated transfer box
- Double infeed V-belt conveyoyr
- Electric control panel
- Central electric cabinet

Options:

- Reversible outfeed conveyoyr
- Humidification system
- Modular system, up to 940 pockets
- UV-light

Weight range	3.5 oz - 3.3 lb
Capacity	Up to 3000 pcs/hour

MO-360 Industrial Moulder

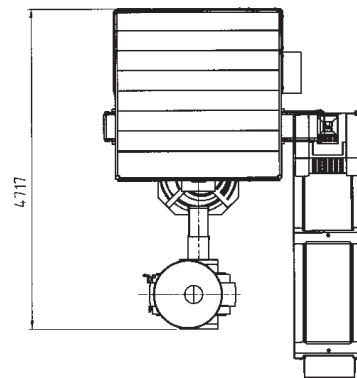
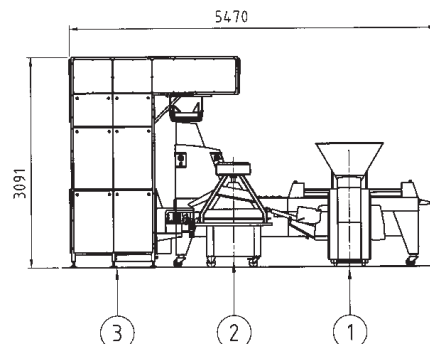
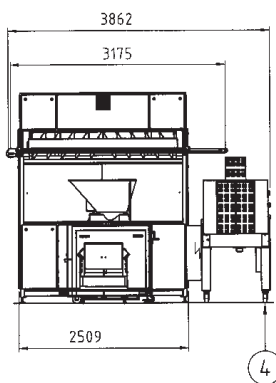


- Stainless steel
- State of the art Moulder for industrial bakeries
- Exact settings via servo motors on infeed system, rollers, pressure board and side guides
- Separate drives on sheeting and moulding station
- Gives the products almost seamless closure

Options:

- No options, all included

Weight range	1.05 oz - 4 lb
Capacity	Up to 3600 pcs/hour



1. SD-300
2. CR-310 GM
3. IPP
4. MO-360