

Radial spray valve evenly coats inside cylinders.

accelerators
activators
lubricants
primers
solvents

EFD[®]
A NORDSON COMPANY



Unique 782RA Series air-actuated spray system applies uniform 360° coating of lubricants, primers and other low-to-medium viscosity fluids inside cylinders 25.4 mm to 304.8 mm (1" to 12") in diameter.

Low Volume Low Pressure (LVLP) air is used to atomize the fluid, while a precision air motor drives a rotating air cap which produces the radial output.



Features

- Adjustable nozzle air
- **High transfer efficiency**
- No mist or overspray
- Self-adjusting Teflon[®] packings
- Cycle rate exceeds 400/minute
- Adjustable fluid flow rate
- Low-maintenance design

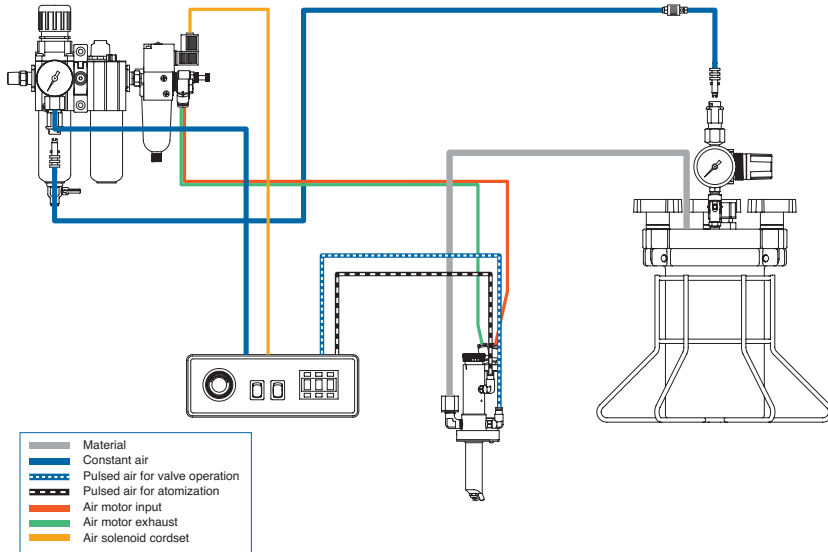
Electronic pdf files of EFD manuals are also available at www.efd-inc.com/manuals.html

www.efd-inc.com info@efd-inc.com USA 800-556-3484 Europe +44 (0) 1582 666334 Asia +86 (21) 5854 2345
Sales and service of EFD dispensing systems are available worldwide.

Radial spray valve systems

The complete system includes the 782RA dispense valve, ValveMate™ 7060RA controller, and the fluid reservoir.

Expert technical assistance and high quality standards ensure productive, trouble-free performance. EFD offers a full line of reliable dispensing systems to meet your specific application requirements.



782RA Valve

The 782RA internal spray valve features a rotating head that produces a narrow radial spray without mist or overspray.

High transfer efficiency with instant fluid cutoff at the end of the spray cycle ensures that coatings are applied evenly from startup to shutdown.

Size: 174.5 mm x 53.8 mm diameter (6.87" x 2.12")

Weight: 480.8 grams (16.9 oz)

Motor air consumption: <0.3 SCFM at 80 psi (5.4 bar)

Nozzle air consumption: 1.5 SCFM at 30 psi (2.1 bar)

Actuating air pressure required: 70 psi (4.8 bar)

Maximum fluid pressure: 300 psi (20.7 bar)

Fluid inlet thread: 1/8 NPT female

Mounting: 1/4-28 UNF tapped hole

Cycle rate: Exceeds 400 per minute

Air cylinder body: Hard-coated aluminum

Fluid body: Hard-coated aluminum

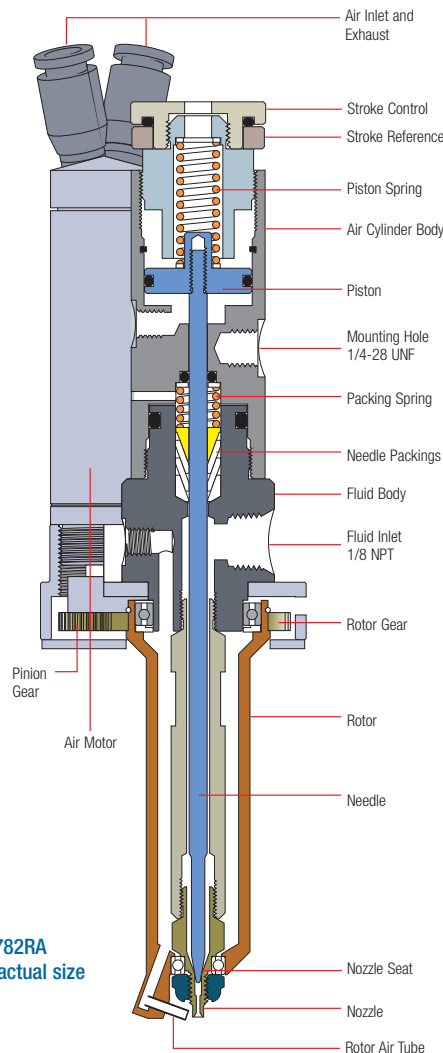
Piston: Type 303 stainless steel

Needle and Nozzle: Stainless steel

Needle Packings: Teflon®

Rotor: Hard-coated aluminum

All stainless steel parts are passivated.



782RA
75% actual size



ValveMate 7060RA Controller

Valve open time is the primary control of deposit size. EFD ValveMate controllers put push-button adjustment of valve open time where it needs to be – at the valve. The ValveMate controller is a partner – not an alternative – to a Programmable Logic Controller (PLC).

- Easy deposit size control
- Precise control of nozzle air pressure
- Increased production output
- End user convenience
- Maximum machine efficiency

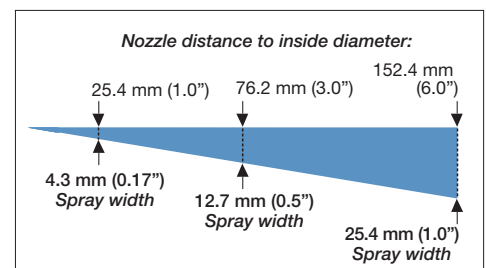
Fluid Reservoirs

EFD reservoirs are supplied with precision constant-bleed regulators to ensure consistent fluid pressure to the valve.

Tank reservoirs are available in 1.0, 5.0 and 19.0 liter capacities.

Cartridge sizes range from 2.5 to 32 ounces (75cc to 950cc).

Spray Coverage



Spray coverage shown 1/3 actual size.



For EFD sales and service in over 30 countries, contact EFD or go to www.efd-inc.com/contact

EFD, Inc.

East Providence, RI USA

800-556-3484; +1-401-434-1680 (outside the USA)

info@efd-inc.com

www.efd-inc.com

EFD International Inc.

Dunstable, Bedfordshire, UK

0800 585733 or +44 (0) 1582 666334

Ireland 00800 8272 9444

europa@efd-inc.com

www.efd-inc.com

EFD, Inc., Asia

China: +86 (21) 5854 2345

china@efd-inc.com

www.efd-inc.com/cn

Singapore: +65 6896 9630

sin-mal@efd-inc.com

Teflon is a registered trademark of DuPont.
©2006 Nordson Corporation v062606