

BUILT RIGHT - PRICED RIGHT

EASTEY

Shrink Packaging Equipment for the Shrinking World

SHRINK TUNNELS



ET2012

**Shrink Packaging
Equipment
for the
Shrinking World**

MODELS

ET20 ET24 ET36 ET48 ET56 ET70
CHAMBER HEIGHTS: 4"- 8"- 12"- 16"- 20"
(optional heights up to 32")
CHAMBER WIDTHS: 20"- 24"- 36"- 48"-
56",70"

Stainless steel models by special order.

ET20, ET24, & ET36 MODELS
ARE UL-APPROVED

BUILT RIGHT...PRICED RIGHT

Proven over and over again, these EASTEY Shrink Tunnels provide you with all the quality features found in much higher priced machines. They are designed and built to give you all the performance features needed for positive shrink in many kinds of Shrink Wrap requirements

All controls are mounted on a pull-down panel for easy set-up and maintenance. Ruggedly built with an all-welded steel base, these units provide the power and versatility needed to get your job done for a wide range of applications.

EASTEY ENTERPRISES, INC.

21480 - 147th Ave North, Rogers, MN 55374
Phone: 763/428-4846 Fax: 763/428-8361 Toll Free 800/835-9344
www.eastey.com eastey@eastey.com
Copyright © 2005 Eastey Enterprises, Inc., All Rights Reserved

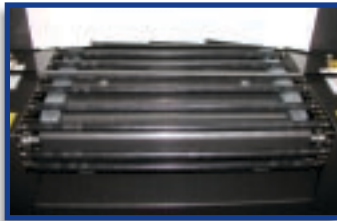
**Packaging - Processing
Bid on Equipment
1-847-683-7720
www.bid-on-equipment.com**

RUGGED DESIGN SIMPLICITY

STANDARD FEATURES

- Positive Shrinking of all products assured with 4-directional air flow (2 sides, top and bottom).
- Bases supplied with locking casters and leveling adjusters.
- Variable Speed Conveyor has rollers on 1-1/2" centers.
- Stainless Steel Mesh Conveyor, or "Live" Rollers; optional "dead" rollers on request.
- Sealed Bearings - not bushings - on drive and idler shafts.
- Conveyor belt speed 67 feet per minute ET20, ET24, ET36, ET48, ET56 & ET70 live roller
- Conveyor belt speed 100 feet per minute ET20, ET24, ET36, ET48, ET56 & ET70 mesh belt
- Variable Air Flow.
- 440 or 480 Volt Available.
- Chain Drive powered by an Industrial Gear Motor.
- Solid State Temperature Controller.
- Removable Air Return Screen.
- Quiet, Safe Conveyor Operation.
- 3 Heater Banks: 14, 16, 18 KW to match chamber openings for MODELS ET20, ET24, ET36, ET56 & ET70.
- Tube, High Speed, & Bundling Tunnels - see separate brochure.
- Over temperature protection.
- Delayed cool down.

LIVE ROLLER CONVEYOR



NO EXTRA CHARGE IF ORDERED AS ORIGINAL EQUIPMENT

FOLD-DOWN CONTROL PANEL FOR EASE IN SERVICING



WEIGHT, POWER REQUIREMENTS, DIMENSIONS

EASTEY SHRINK TUNNEL MODELS	MACHINE DIMENSIONS (in)					MACHINE DIMENSIONS (cm)					STANDARD POWER			WEIGHT		CRATED SHP WGT	
	W	x	H	x	L	W	x	H	x	L	VOLTS	AMPS	PHASE	(lbs)	(kg)	(lbs)	(kg)
ET20	33	x	56-72	x	74	83.82	x	142.40-182.88	x	187.96	220	50	3	900	410	1200	546
ET24	37	x	56-72	x	74	93.98	x	142.40-182.88	x	187.96	220	50	3	1000	455	1250	569
ET36	49	x	56-72	x	74	124.46	x	142.40-182.88	x	187.96	220	50-60	3	1300	591	1600	728
ET48	61	x	56-72	x	74	154.94	x	142.40-182.88	x	187.96	220	80-90-100	3	1700	773	2000	910
ET56	69	x	56-72	x	74	175.26	x	142.40-182.88	x	187.96	220	90-100	3	2000	910	2300	1047
ET70	83	x	56-72	x	74	210.82	x	142.40-182.88	x	187.96	220	100	3	2500	1138	2800	1274

TUNNEL CHAMBER, ROLLER AND CONVEYOR DIMENSIONS

MODELS	CHAMBER DIMENSIONS (in)					CHAMBER DIMENSIONS (cm)					ROLLER WIDTH		CONVEYOR LENGTH	
	W	x	H	x	L	W	x	H	x	L	(in)	(cm)	(in)	(cm)
ET20	20	x	4-20	x	52	50.80	x	10.16-50.80	x	132.08	20	50.80	72	182.88
ET24	24	x	4-20	x	52	60.96	x	10.16-50.80	x	132.08	24	60.96	72	182.88
ET36	36	x	4-20	x	52	91.44	x	10.16-50.80	x	132.08	36	91.44	72	182.88
ET48	48	x	4-20	x	52	121.92	x	10.16-50.80	x	132.08	48	121.92	72	182.88
ET56	56	x	4-20	x	52	142.24	x	10.16-50.80	x	132.08	56	142.24	72	182.88
ET70	70	x	4-20	x	52	177.80	x	10.16-50.80	x	132.08	70	177.80	72	182.88

Packaging - Processing
Bid on Equipment
1-847-683-7720
www.bid-on-equipment.com



PRODUCTION WIZARD EASTEY COMBO UNIT

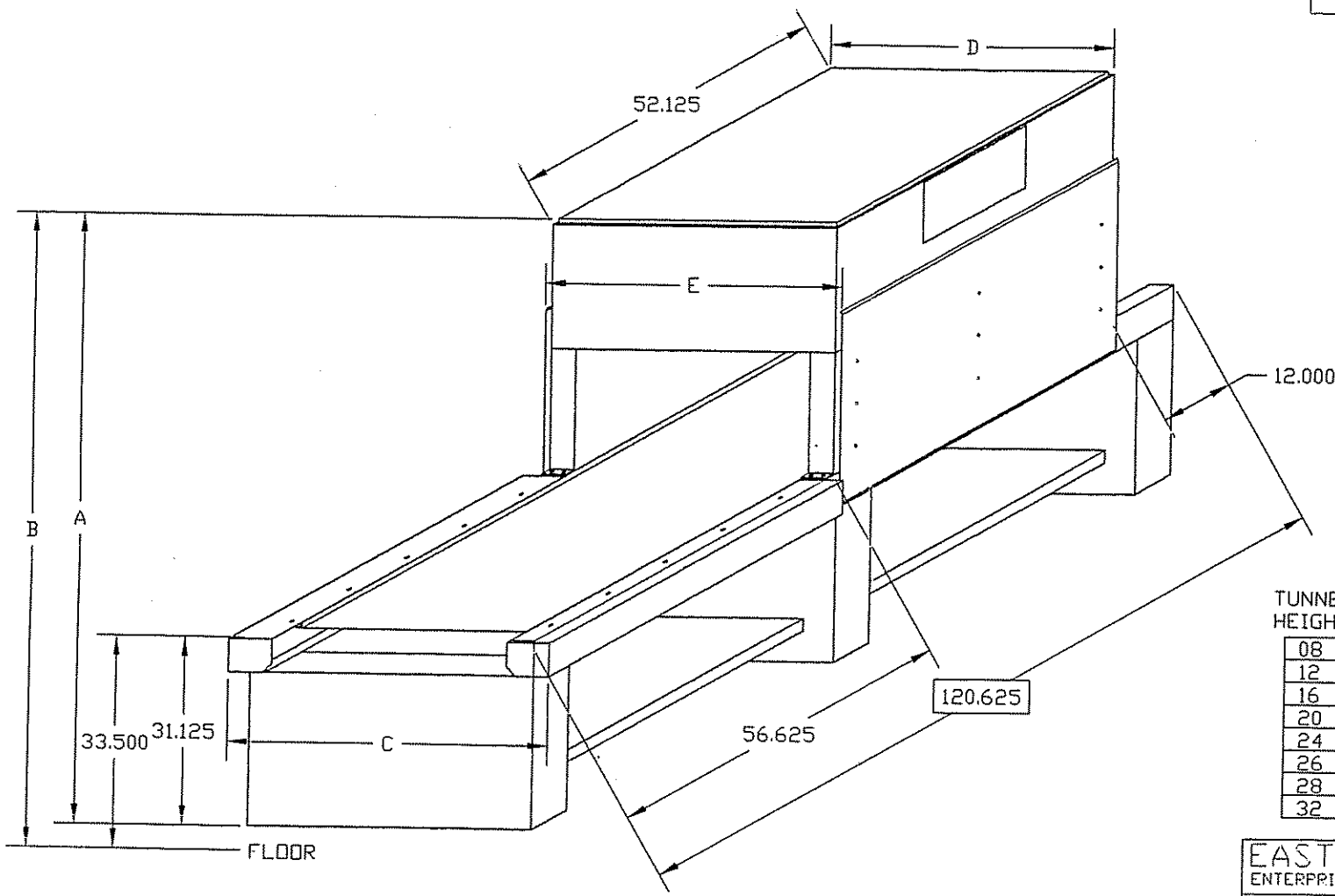
MODEL EM16TT

MT SERIES AND TT SERIES. Sealer and Tunnel on a common frame; quick set-up, matching Sealer and Tunnel for perfect alignment and product transfer. Two series - 2 Models each seal size, 16" x 20" 28" x 20".

(Rev. 2/09)

BUILT RIGHT - PRICED RIGHT

REV DESCRIPTION		REVISIONS		DATE	APPL



TUNNEL HEIGHT	DIM A	DIM B	TUNNEL WIDTH	DIM C	DIM D	DIM E
08	60.375	63.188	20	36.500	30.500	32.500
12	64.375	67.188	24	40.500	34.500	36.500
16	68.375	71.188	36	52.500	46.500	48.500
20	72.375	75.188	48	64.500	58.500	60.500
24	76.375	79.188	56	72.500	66.500	68.500
26	78.375	81.188	70	86.500	80.500	82.500
28	80.375	83.188				
32	84.375	87.188				

EASTEY	Title	
ENTERPRISES	BUNDLING TUNNEL LAYOUT	
Tolerance	Scale	Material
	18:1	
Drafter	Part Numbers	
TROY,S	WIRBUNDTUNS	
CHK By	Date	Part size
	6-11-03	0.000 x 0.000