

BUILT RIGHT - PRICED RIGHT

EASTEY®

Shrink Packaging Equipment for the Shrinking World

EPT/TK Series

Seal Sizes
20" x 28"
30" x 40"



EP2028TK

Hot Wire or
Hot Knife
Seal Head

Pneumatic L-Sealer with push button pneumatic clamping, powered film unwind with pin perforator, power takeaway conveyor, stationary hot knife DuoSeal® seal bars by Reynolds or hot wire seal bars (20" x 28" or 30" x 40" seal areas), automatic cycle timing, locking casters, spare parts kit and manual.

Model	Seal Dimensions			Machine Dimensions				Power Requirements			Air	WGT	Crated SHP WT.		
	Front	x	Side	W	x	H	x	L	Volts	Phase				Amps	
EP2028T	(in)	28	x	20	42	x	48	x	66	220	1	20	80 PSI	1300 lbs	1450 lbs
	(cm)	71	x	50	107	x	122	x	168	220	1	20	5 CFM	593 kg	662 kg
EP2028TK	(in)	28	x	20	42	x	48	x	66	220	1	10	80 PSI	1300 lbs	1450 lbs
	(cm)	71	x	50	107	x	122	x	168	220	1	10	5 CFM	593 kg	662 kg
EP3040T	(in)	40	x	30	50	x	48	x	90	220	1	20	80 PSI	1800 lbs	2100 lbs
	(cm)	102	x	76	127	x	122	x	229	220	1	20	5 CFM	819 kg	956 kg
EP3040TK	(in)	40	x	30	50	x	48	x	90	220	1	20	80 PSI	1800 lbs	2100 lbs
	(cm)	102	x	76	127	x	122	x	229	220	1	20	5 CFM	819 kg	956 kg

EASTEY ENTERPRISES, INC.

21480 147th Ave. No. Rogers, MN 55374

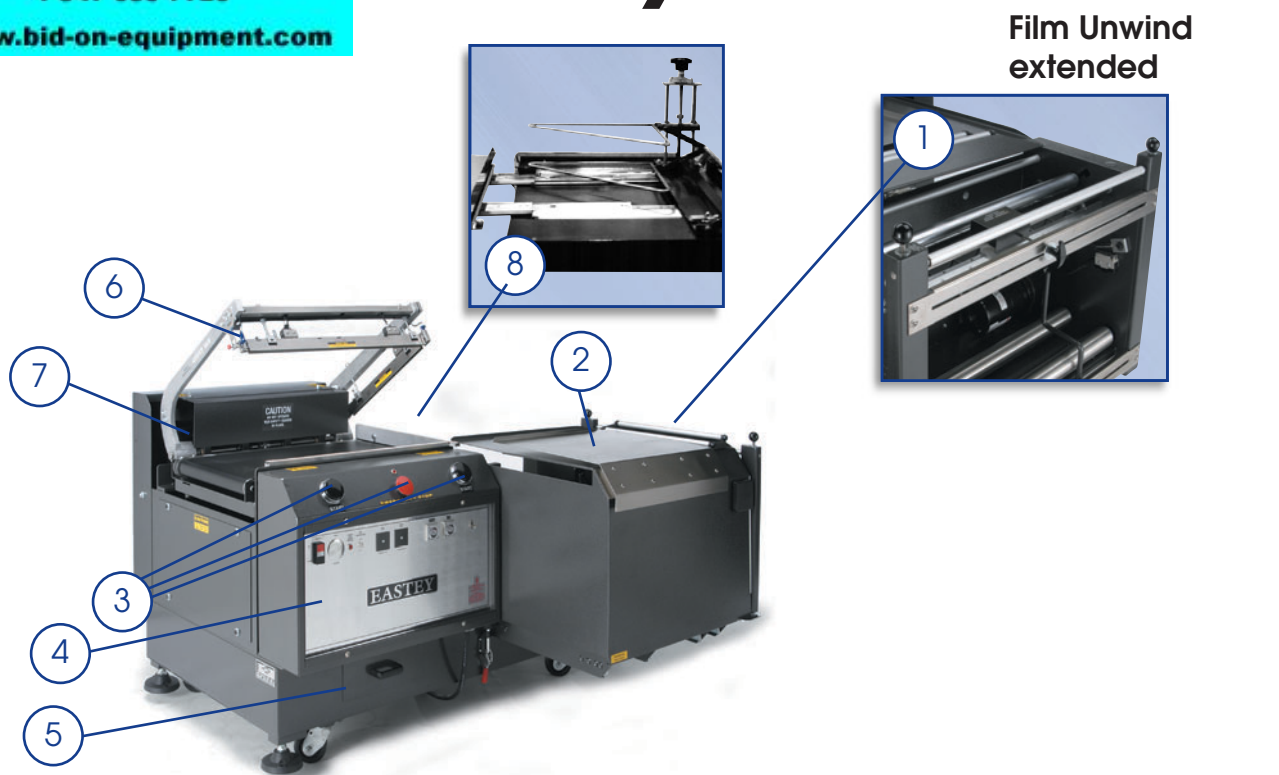
Phone: 763/428-4846 Fax: 763/428-8361 Toll Free 800/835/9344

www.eastey.com e-mail - eastey@dgi.net

Copyright © 2001 Easte Enterprises, Inc., All Rights Reserved

Packaging - Processing
Bid on Equipment
1-847-683-7720
www.bid-on-equipment.com

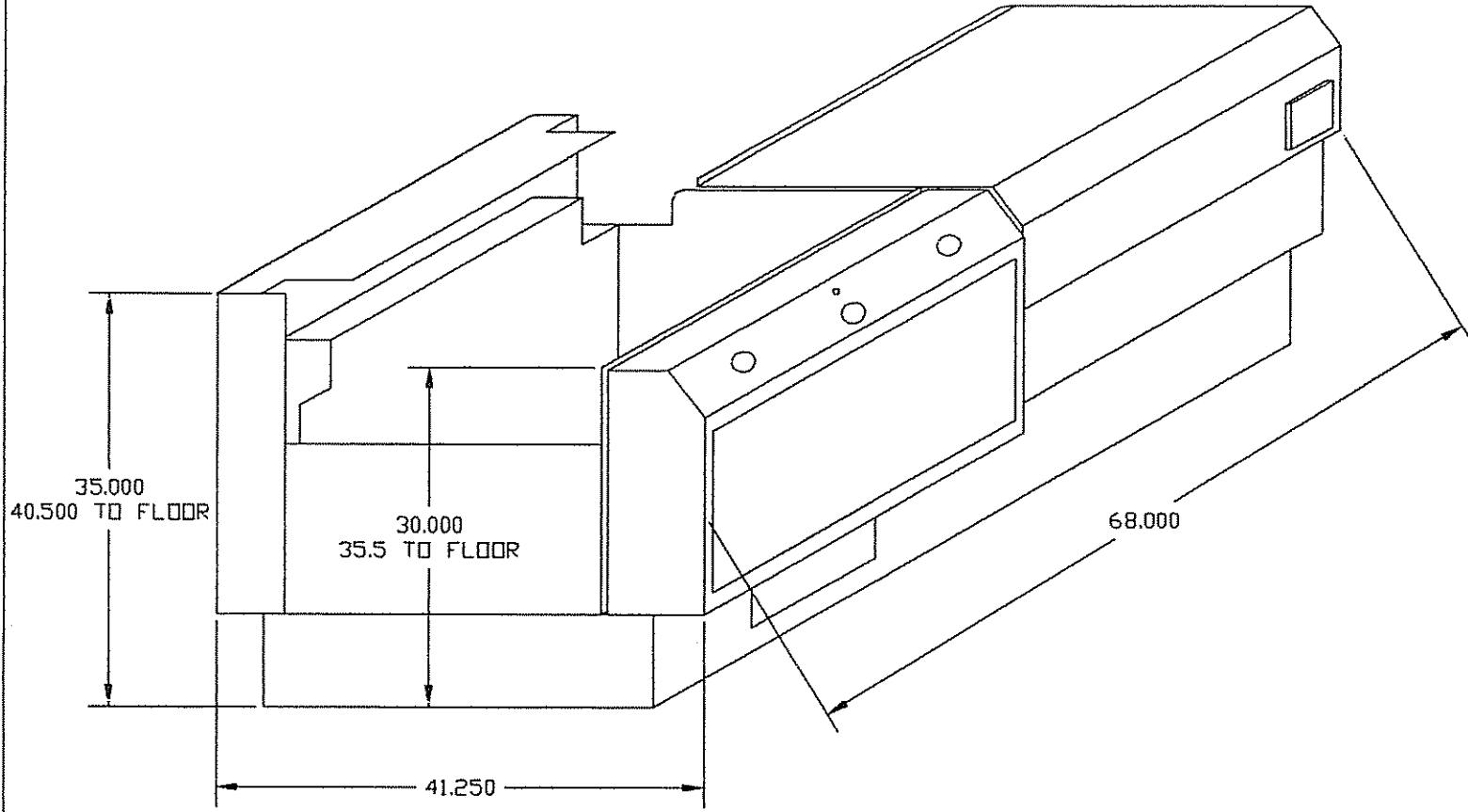
EPT/TK



1. **Power Film Unwind w/Pin Perforator** mounted on three heavy duty slides for smooth in and out movement from its protected compartment under the Product Tray Area. When pulled out the power disengages, then the film rack, pin perforator and easy to follow film threading diagram are exposed. Maximum film width; EP2028 - 22" including cores, EP3040 - 32". Maximum roll O.D. 10".
2. **Product Tray (2 sizes) and Film Unwind** are connected to simplify set up. They effortlessly slide together allowing for only one simple adjustment to be made for the product width and perfect alignment. The carriage locks into place.
3. **Large Start and Emergency Stop Buttons** are easily operated and designed to minimize carpal tunnel and other repetitive operation complications.
4. **Operator Controls** are conveniently located on the front panel and clearly marked labels assist the operator. All wires are clearly labeled for user friendly trouble shooting.
 - Power film unwind on/off indicator light
 - On/off switch
 - Dwell timer
 - Up/down conveyor push button
 - Conveyor timer
 - Independent front & side seal bar heat controllers also with on/off switch (hot knife only)
5. **Utility Drawer** is conveniently located and capable of holding operator manuals and spare parts.
6. **Reynolds DuoSeal® Hot Knife Seal Bars** with interchangeable inserts which provide multiple film sealing capability, or hot wire seal bars.
7. **Conveyor System** is now motorized for up/down package height adjustment. Self tracking outfeed conveyor belt requires no operator adjustment.
8. ***OPTION - Not standard Equipment***
 - Cycle counter**
 - Adjustable Film Inverting Head** is effortlessly opened for product height with a convenient hand wheel. Two interchangeable sizes are available.

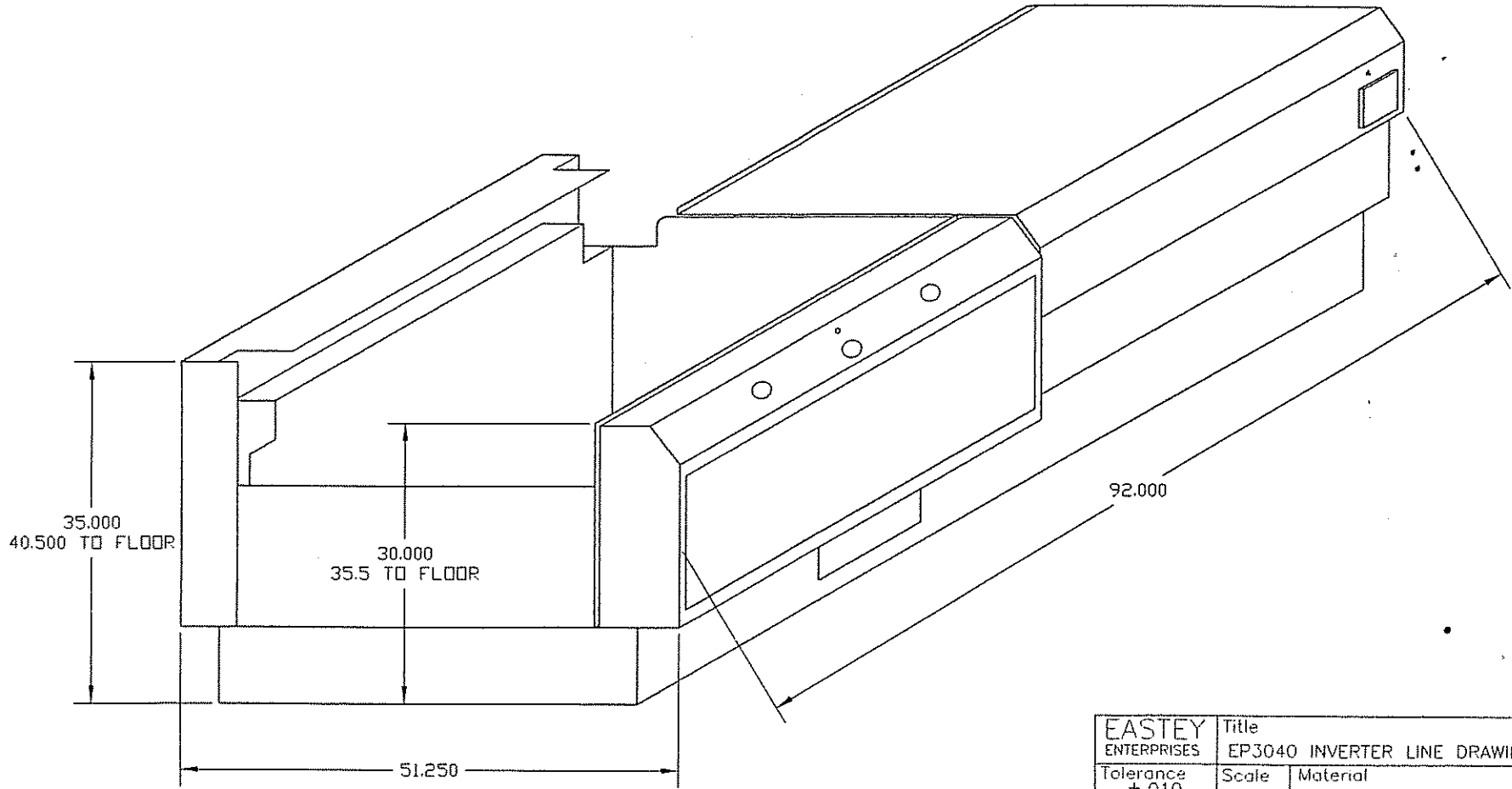
BUILT RIGHT - PRICED RIGHT

REV	DESCRIPTION	DATE



EASTEY		Title	
ENTERPRISES		EP2028 INVERTER LINE DRAWING	
Tolerance	Scale	Material	
±.010	10:1	N/A	
(UNLESS SPECIFIED)		Part Numbers	
Drafter		EP2028TINVERTER	
TROY S.		Date	Part size
CHK By		11-25-03	0.000 x 0.000

REV DESCRIPTION		REVISIONS	DATE	APPROVED



EASTEY ENTERPRISES		Title EP3040 INVERTER LINE DRAWING	
Tolerance ± 0.10 (UNLESS SPECIFIED)		Scale 10:1	Material N/A
Drafter TROY S.		Part Numbers EP3040INVERTER	
CHK By	Date 11-25-03	Part size 0.000 x 0.000	