

SPECIFICATIONS

ROOTS™ DVJ WHISPAIR™ Dry Vacuum Exhausters

Frame 721J

BASIC DRY VACUUM PUMP DESCRIPTION

ROOTS™ DVJ WHISPAIR™ dry exhausters have an exclusive discharge jet plenum design which allows cool, atmospheric air to flow into the cylinder. This unique design permits continuous operation at vacuum levels to blank-off with a single stage unit.

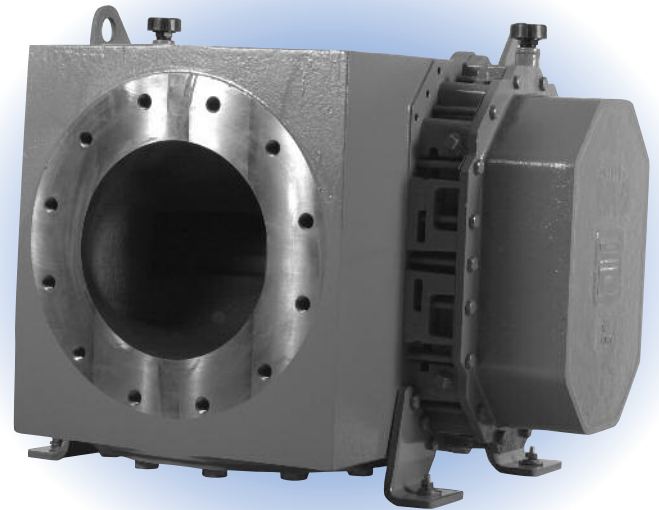
Standard dry exhausters are limited to approx. 16" Hg vacuum because operation at higher vacuum levels can cause extreme discharge temperatures resulting in casing & impeller distortion and possible seizure. The DVJ vacuum exhauster's integral cooling design eliminates the problems associated with high temperatures at vacuum levels beyond 16" Hg.

DVJ WHISPAIR™ exhausters are heavy-duty units with integral-shaft ductile iron impellers. The casing, headplates, gear cover and drive end cover are grey iron. Carburized and ground alloy steel spur timing gears are taper mounted on the shafts, secured with a locknut. Cylindrical roller bearings are splash lubricated at both the gear end and drive end. Piston rings reduce air leakage through the headplate bores and lip-type oil seals prevent lubricants from entering the air chamber. Rugged steel mounting feet permit infield adaptability to either vertical or horizontal installation requirements.

ROOTS™ DVJ WHISPAIR™ exhausters can be arranged to operate in two and three stage systems to achieve vacuum levels down to 1 Torr.

WARRANTY PERIOD

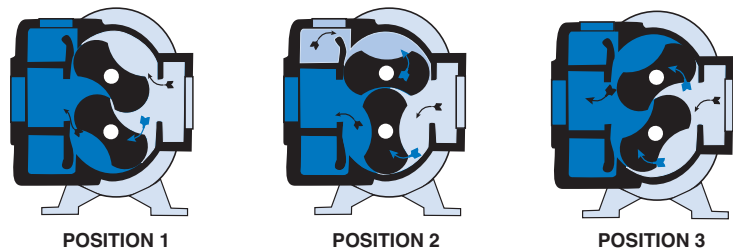
Twelve (12) months from date of original unit start-up or 18 months from date of original shipment, whichever occurs first.



DESIGN AND CONSTRUCTION FEATURES

1. Rigid cast iron cylinder and headplates
2. Anti-friction cylindrical roller bearings
3. Splash lubricated spur timing gears
4. Inlet and discharge connections in standard pipe sizes
5. Involute profile ductile iron impellers

OPERATING PRINCIPLE

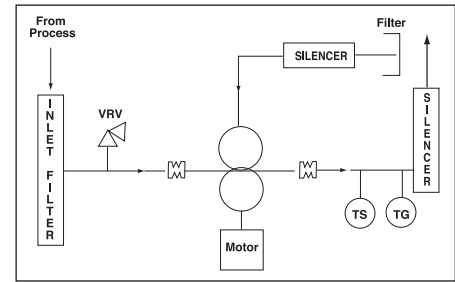


Position 1: Incoming air is trapped between the impellers. Simultaneously, pressurized air is being discharged. **Position 2:** As the upper impeller passes the jet plenum, cooled, pressurized air flows into the space between the impeller and cylinder. This cools the trapped air, helps control thermal growth and allows higher discharge pressures. **Position 3:** The trapped air is then moved into the discharge flange (left). Backflow is reduced, resulting in lower operating noise level and reduced shock loading on the impellers.

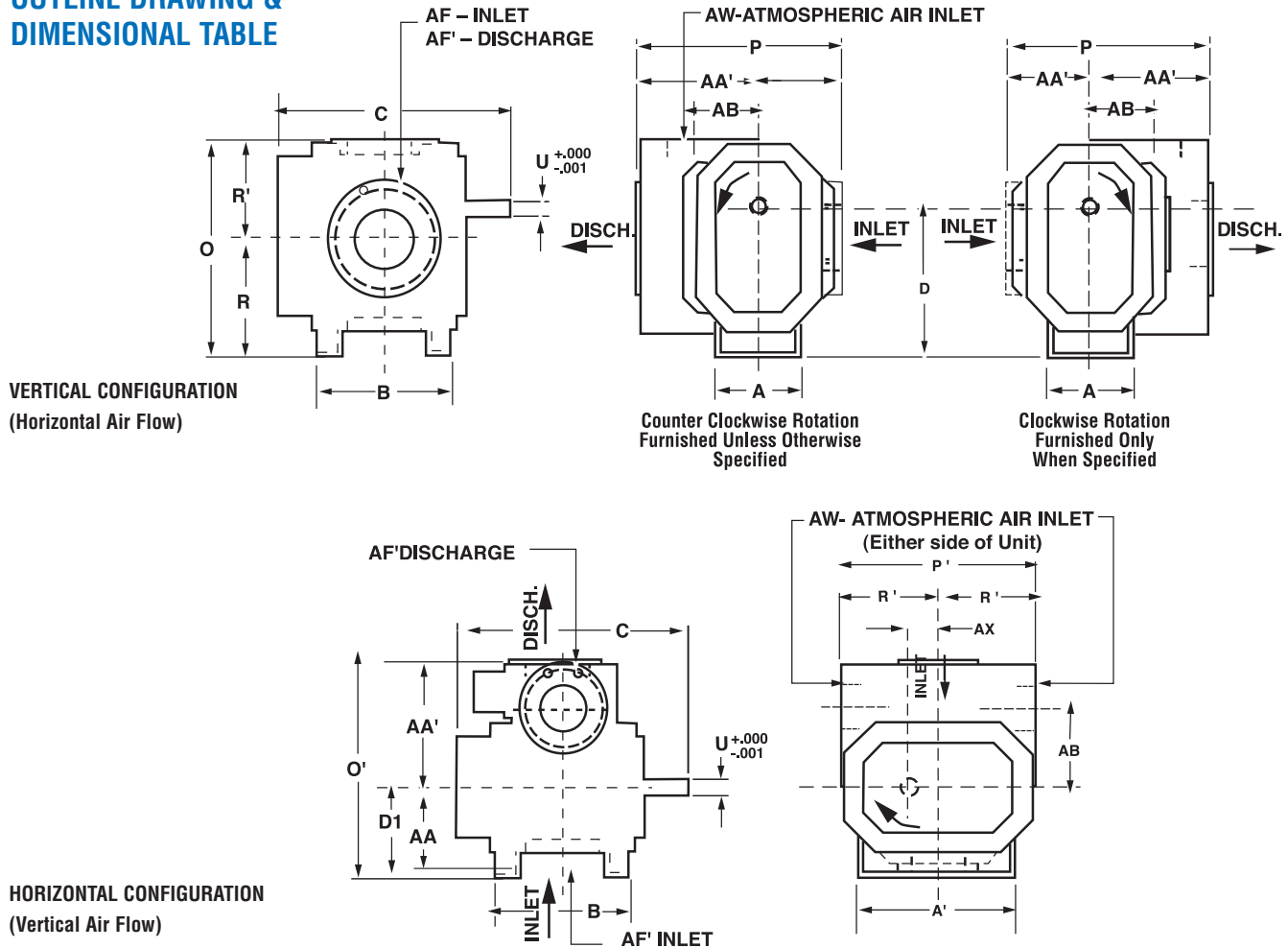
PERFORMANCE TABLE

Frame Size	Speed RPM	Maximum Free Air CFM	16" HGV		20" HGV		24" HGV		27" HGV	
			CFM	BHP	CFM	BHP	CFM	BHP	CFM	BHP
721J	1180	3658	975	57.2	755	71.2	333	85.2	*	95.7
	1770		1806	87	1585	107.7	1163	128.3	122	143.8
	2200		2411	109.6	2190	134.8	1768	160.1	727	179.1
	2600		2973	131.4	2753	160.7	2331	190	1290	212

Notes: * Denotes blank-off.
Ratings based on inlet and jet air at standard temperature of 68°F, discharge and jet pressure of 30" HGV and specific gravity of 1.0. Refer to factory for performance guarantee above 24" HGV.



OUTLINE DRAWING & DIMENSIONAL TABLE



Frame Size	A	A'	B	C	Drive Shaft Location		O	O'	P	P'	R	U	Keyway	AA	AA'	AB	AF	AF'	AW	AX	Approx Net Wt. (lbs)
					D	D1															
721J	19.00	26.00	27.00	39.38	17.00	10.00	24.88	25.25	24.25	22.75	13.50	2.375	.625 x .313	9.00	15.25	5.50	12 FLG	12 FLG	12 FLG	3.50	1750

NOTES: 1. All dimensions are in inches. 2. Weights are in pounds, and are approximate. 3. Do not use for construction.

Dresser Roots

Houston, Texas Headquarters • U.S. Toll Free Phone: 1-877-363-ROOT(S) (7668) • Direct Phone: +1 832-590-2600
 Connersville, Indiana Operations • U.S. Toll Free Phone: 1-877-442-7910 • Direct Phone: +1 765-827-9285
 United Kingdom Operations • Phone: +44 (0) 1695 52600
 USA/Canada Sales • Phone: +1 773-444-3360
 Houston, Texas Factory Service • Phone: +1 713-896-4810
 Mexico City Sales and Factory Service • Phone: +52 55 5889 5811
 Dubai Sales and Factory Service • Phone: +971 4-8830831
 Malaysia Sales • Phone: +60 3 2163 0480
 China Sales • Phone: +86 10 8486 2440
 Shanghai Factory Service • Phone: +86 21 5858 7638



©2007 Dresser, Inc. all rights reserved. • Printed in the U.S.A. • All information subject to change without notice. • Universal RAI and EasyAir are registered trademarks of Dresser, Inc. • ROOTS, RAM X, and WHISPAIR are trademarks of Dresser, Inc.

www.dresser.com/rootsblowers