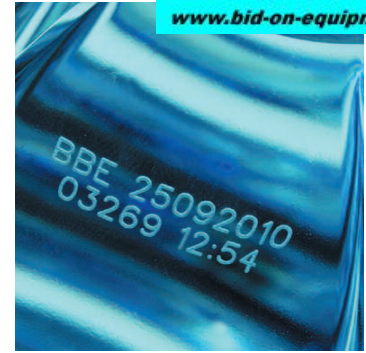


The Domino S300+

Compact, high-power scribing laser designed for high speed coding on a wide range of surfaces including PET, glass and labels.



Key Benefits:

High Quality Codes

- Consistent, permanent clear codes from simple single-line batch codes to multiple lines with real-time data
- Flexible code design, including the ability to mark serial numbers, batch codes, bar codes, 2D codes, fonts and graphics in any orientation
- Precise, letter-quality codes even at high production speeds
- Produces two lines of code at speeds in excess of 1,000 bottles per minute on PET, and 152 m/minute (500ft/min) on labels
- Produces crisp codes on PET without piercing the product

High Reliability

- Designed for use in demanding production environments
- Low maintenance

Easy to Install

- Small, light laser head can be mounted into tight production spaces and easily adjusted
- Compact control unit can be shelf-mounted for best positioning on production lines

Simple to Use

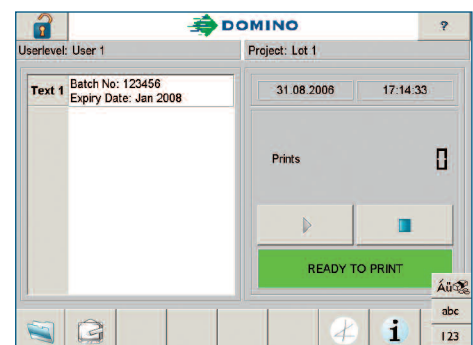
- Visible red aiming beam simplifies laser focusing, code position adjustment
- Colour touch-screen interface and familiar function keys for fast code set up and editing

Main Features:

- Designed to IP55
- High-resolution optics
- Laser beam steered by unique scanning technology
- Compact, light laser head
- Intuitive Windows® based software



Versatile and quality codes



Basic User Interface for simple operation

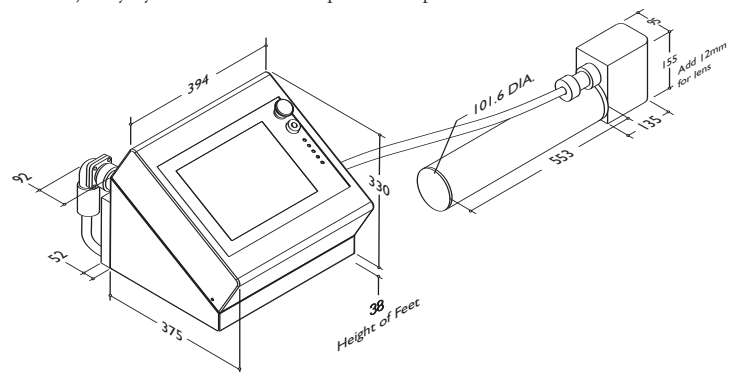
Technical Specification:

	S300+
Laser Type	Sealed CO ₂ Laser
Laser Power	30W
Marking Features	
Characters per Second	800*
Product Line Speed	Up to 305 m/min* (1000 ft/min*)
Number of lines of text	As many as required
Character Height	0.8 – 76 mm (0.03"-3.0")
Fonts	24 fonts, multi-language, including Asian characters
Marking Options	Text, logos, bar codes, 2D codes, graphics, automatic serial numbering, batch coding and real time clocks
Marking Field & Focal Length	56x56 mm (2.2"x2.2"), Focal Length 89 mm (3.5") 76x76 mm (3.0"x3.0"), Focal Length 127 mm (5.0")
User Interface	12.1" colour touch screen with WYSIWYG and SVGA quality (800 x 600 mm resolution) display control language in English, German, French, Spanish, Dutch, Danish, Polish, Portuguese, Italian, Hungarian, Korean, Russian, Swedish, Chinese (Simplified), Czech, Finnish and Japanese
Operating System	Microsoft Windows ® XPe
Laser Head	Stainless steel (304)
Weight & Dimensions	10.9 Kg (24 lbs), L x H x W: 688 x 167 x 107mm, (27.09 x 6.57 x 4.21"), including lens
Control Cabinet	Stainless steel (304)
Weight & Dimensions	18 Kg (40 lbs), D x H x W: 427 x 368 x 394 mm (16.81 x 14.49 x 15.51")
Conduit Length	3 m (9.85 ft), 6 m (19.69 ft) optional
Inputs & Outputs	
Product Detect Inputs	NPN/PNP/ 2V - sensor
Product Speed Detect	Quadrature shaft encoder
Signal Inputs	External E-stop, interlock circuits, 9 configurable user inputs
Signal Outputs	Alarm, ready signal, fume extraction control, cooling air solenoid control, E-stop status, print complete, 3 configurable user output
Interfaces	PS2, VGA, RS232, Ethernet, USB, IDE
Electrical Requirements	90 – 264 VAC, 47 – 63Hz, 600VA typical
Environment	
Cooling	Compressed air required typically 7 SCFM (200 litres/min) duty cycle and ambient temperature dependent
Environmental Standard	IP55, CE mark
Operating Temperature	5 to 45°C (41 to 113°F)
Operating Humidity	10 – 95% non-condensing
Options	Laser head mounting bracket, control cabinet stand, alarm beacon, fume extractor, air filtration kit

*Character generation and production speeds are substrate and code dependent

Dimensions

All dimensions in millimetres



Australia

Domino (Australia) Pty. Ltd.
 1, Neutron Place
 Rowville
 Melbourne
 Victoria 3178
 Australia
 Tel: + 61 3 9764 8485

Canada

Domino Printing
 Solutions Inc.
 2751 Coventry Road
 Oakville
 Ontario
 L6H 5V9
 Tel: + 1 800 387 7972

India

Domino Printech India
 Private Limited
 167, Udyog Vihar Phase I,
 H.S.I.D.C Gurgaon -
 122016 Haryana
 Tel: + 91 124 500 7406

United Arab Emirates

Domino UK Ltd (Dubai)
 PO Box 16984
 Jebel Ali
 Dubai
 Tel: + 971 4 88 35003

United Kingdom

Domino UK Ltd
 Bar Hill
 Cambridge
 CB23 8TU
 Tel: + 44 1954 782 551

United States of America

Domino Amjet, Inc.
 1290 Lakeside Drive
 Gurnee
 Illinois 60031
 Tel: + 1 800 486 7414



www.domino-printing.com