

# Domino C6000AS *plus*

## *Adjacent side Outer Case Coding system*

*For printing large character and coded information onto adjacent sides of a case in a single motion without any additional handling*

- *Codes adjacent sides of a case with a single device*
- *Unique patent applied for technology*
- *Can be applied to a range of box sizes and weights*
- *Easy maintenance*
- *Small footprint*
- *Low capital cost and more efficient consumables management*
- *Easy to retrofit to existing equipment*

Domino's unique C6000AS **plus** high quality, large character printer belongs to the long-established C-Series **plus** range of online coding solutions for Outer Case Coding. Developed to meet the long-term market needs of the wholesale, food service and frozen foods sector, the C6000AS' innovative technology easily delivers the flexibility in a single package required for adjacent side coding.



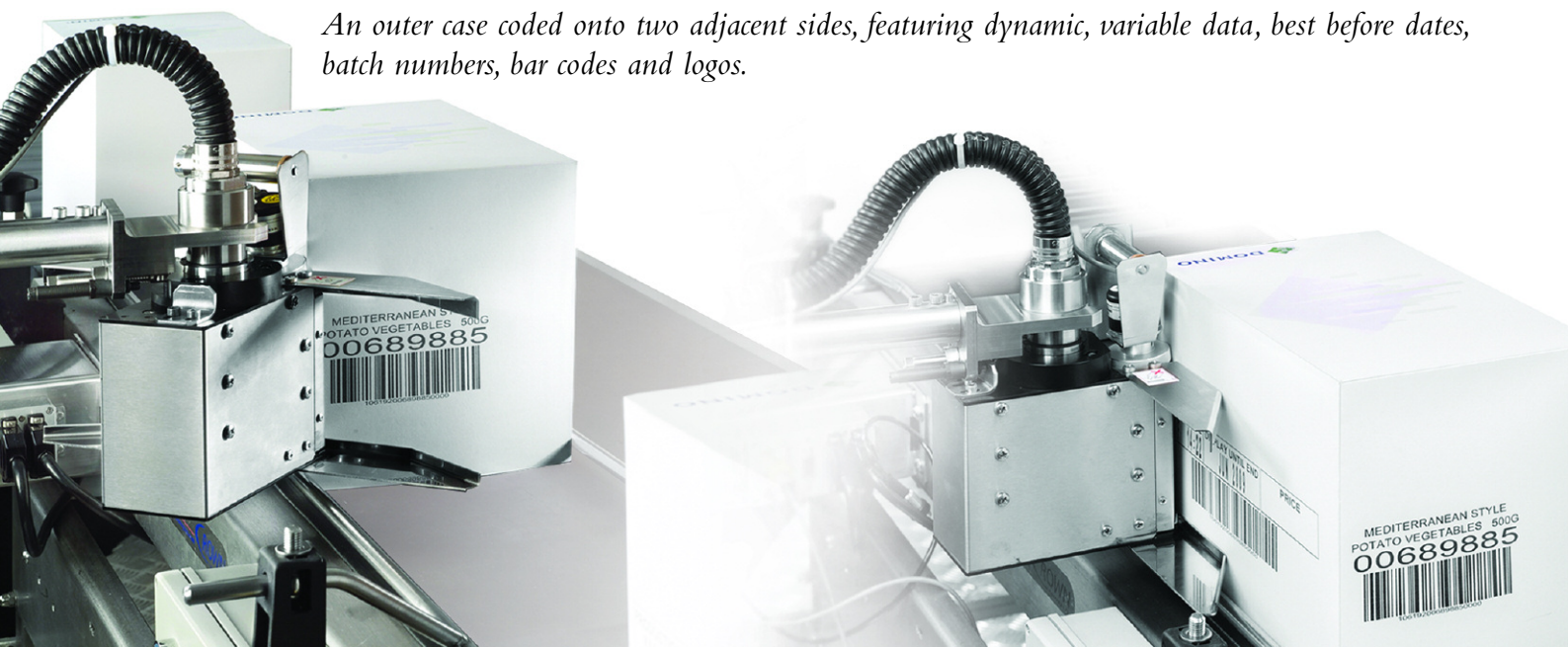
In common with all C-Series **plus** products, the C6000AS delivers instant startup, increased throughput and reduced downtime and rejects, enabling improved equipment availability and increased manufacturing efficiency.

*Coding is applied to the leading edge of the outer case...*

*...same print head codes onto side of case in a single motion*

*The end result...*

*An outer case coded onto two adjacent sides, featuring dynamic, variable data, best before dates, batch numbers, bar codes and logos.*



## Technical Specifications:

### Control Units **C6000AS plus**

#### Print Capabilities

Number of Lines (Standalone Mode)	8
Maximum Print Height	70mm (2.76")
Bar Code feature	•
GS1 Bar Code Capable	•
Graphics	•

#### Ink System Options

2 Litre Base (Oil)	•
Multi Head Base (Oil)	•

#### Features –

<b>Bottle Out Warning</b>	•
---------------------------	---

#### Options

Accessory Box	•
Dual Light Beacon	•

#### Specifications/Operating Capabilities

Construction	Stainless Steel
User Interface	Graphical LCD
Electrical	Single Phase, 90-240 V @ 50-60 Hz
Operating Temperature	5° – 35° C (41°-95° F)
Humidity (Non-condensing)	10% – 90%
Features	RS232 Capable, Ethernet Capable, Ink out warning

#### Software

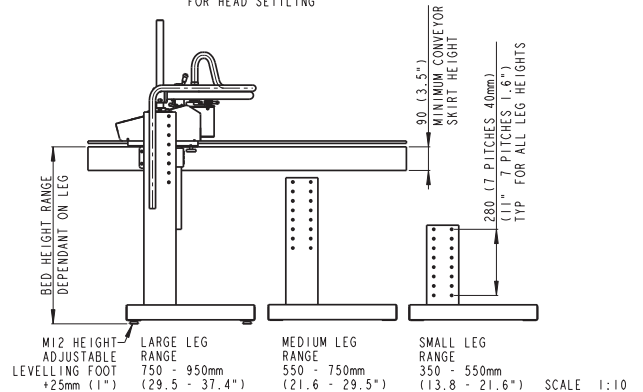
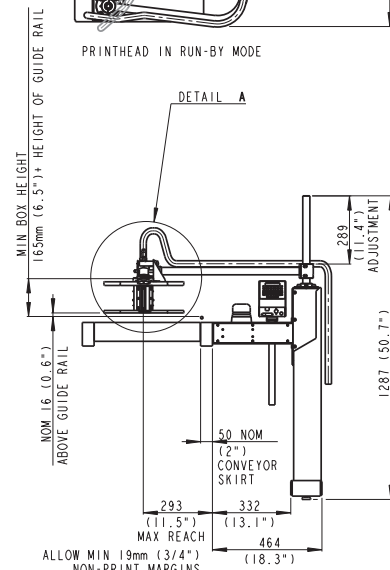
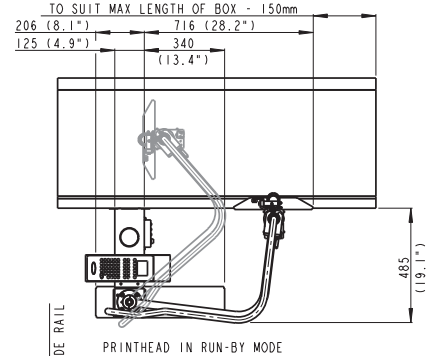
Domino C-Series **plus** pack  
 Connect (Message Creation and Status Monitoring), Connect db (Database extraction), Windows Printer Driver, OPC Server, Communications development Kit (.dll)

#### Options

Ink Out Beacon, Conveyor Guide, Interface Assistant, Bar Code Validation Kit

### Dimensions

Minimum box length	200 mm
Minimum box weight	1 kg
Maximum front message length	200 mm



Belt speed (m/min)	Box length (mm)	Swing back time (includes settling time) (seconds)	Cycle time (seconds)	Interbox gap (mm)	Box pitch (front to front) (mm)	Max operations /minute (ops/min)
16	200	1.5	4.88	1100	1300	12
16	300	1.5	5.25	1100	1400	11
16	400	1.5	5.63	1100	1500	10
16	500	1.5	6.00	1100	1600	10
16	600	1.5	6.38	1100	1700	9

Specifications shown in example at 16m/min

**Canada**  
 Domino Printing Solutions Inc.  
 2751 Coventry Road  
 Oakville  
 Ontario  
 L6H 5V9  
 Tel: + 1 800 387 7972

**India**  
 Domino Printech India Private Limited  
 167, Udyog Vihar Phase I,  
 H.S.I.D.C Gurgaon -  
 122016 Haryana  
 Tel: + 91 124 500 7406

**United Arab Emirates**  
 Domino UK Ltd  
 P.O. Box 16984  
 Jebel Ali Free Zone  
 Dubai  
 U.A.E.  
 Tel: + 971 4 88 35003

**United Kingdom**  
 Domino UK Ltd  
 Bar Hill  
 Cambridge  
 CB23 8TU  
 Tel: + 44 1954 782 551

**United States of America**  
 Domino Amjet, Inc.  
 1290 Lakeside Drive  
 Gurnee  
 Illinois 60031  
 Tel: + 1 800 486 7351



[www.domino-printing.com](http://www.domino-printing.com)

