

The Domino A200

Domino quality and reliability with optional extras for specialist applications



Key Benefits:

Reliability Comes as Standard

- Consistent high quality codes, requiring minimal operator intervention
- Reliable start-up, even after uncontrolled shut down

Unique Self-Cleaning Ink System

- Large internal reservoir and nozzle seal ensures truly automatic print head cleaning

SureStart

- On-button controls the complete start-up and shut down process

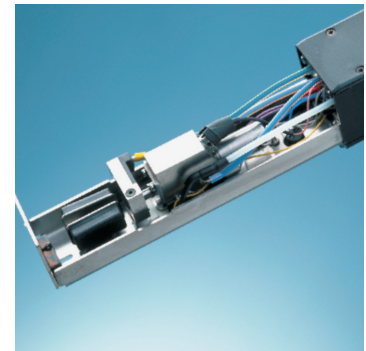
Main Features:

- Rugged Cabinet Design
304 grade stainless steel, rated IP53
Dust and splash proof
- Flexible Applications
Up to 4 lines in a variety of print formats
- Domino Inks
Range of Advanced, Specialist and Custom inks for all application requirements

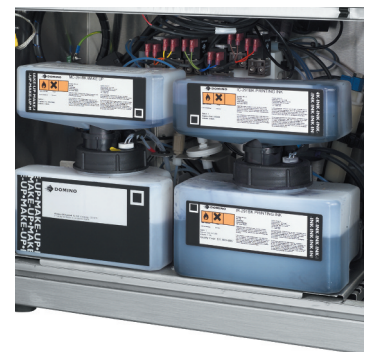


Additional Options:

- Pinpoint™
High speed, high definition micro printing, as small as 0.8mm in height, without compromising quality or clarity
- FreeForm™
High definition free-flowing, curved characters, giving codes a "close-up" quality
- Egg Coder
Compliant with FDA and EU legislation, the Egg Coder application prints up to three lines of mixed text and logos at production capacity speed
- Opaque
In industries where dark surfaces must be coded, the A-Series Opaque produces high visibility, high quality codes even on small areas
- XS
Coding up to 30% faster than regular A200 coding, the XS retains reliability whilst meeting the demands of high-speed industries



A-Series print head



Unique Domino ink system

Technical Specification

Dimensions Show Door Open

Control Unit

Control Panel: Membrane touch button
Cabinet: Stainless Steel (304) designed to IP53 (BSEN 60529:1992)

Cabinet dimensions: 245mm x 475mm x 725mm (9.6" x 18.7" x 28.5")
Weight: 36kg (79lbs)

Character Control

- Auto repeat
- Auto invert/reverse
- User defined clock format
- Sequential/batch numbering
- Inverse reverse and bold characters
- Character width and height adjustment
- Print delay
- Product counter
- Barcodes
- Message repeat

Data Input Options

- Serial RS232
- Ethernet, RJ45 Connector
- Rate: 110-38.4k Baud, software configurable

Ink System

Viscosity control: Automatic
Ink bleed control: Automatic on start up
Ink and make-up refill: 825ml (.87qt) cartridge automatically metered
Peltier: Optional

Print head

Dimensions: 240mm x 41mm x 47mm (9.45" x 1.61" x 1.85")
Conduit length: 3m (11'8") or 6m (23'6")
Positive air: Optional internal supply
Airdryer: Internal compressor or factory air option

Environment

Temperature range: 5 – 45°C (40 – 112°F) operating
Humidity: 10 – 90% (non-condensing)
Electrical requirements: Single phase, fully auto-ranging 90 – 132V/180 – 264V, 50/60Hz 200VA

Standard Connections

Product detector: 12V 100mA for photocell or proximity detector. IP68 6 way socket
Shaft encoder input: Open collector or TTL encoder 12V via IP68 6 way socket

Options

Alarm beacon connector: IP68 7 way socket
Auxiliary alarms connector: IP68 9 way plug
User port connector: IP68 25 way socket

Accessories

Full range of photocells, stands and bracketry

Australia

Domino (Australia) Pty. Ltd.
 Unit 12
 6 Gladstone Road
 Castle Hill
 Sydney
 NSW 2154
 Tel: + 61 2 9894 7833

Canada

Domino Printing
 Solutions Inc.
 2751 Coventry Road
 Oakville
 Ontario
 L6H 5V9
 Tel: + 1 800 387 7972

India

Domino Printech India
 Private Limited
 167, Udyog Vihar Phase I,
 H.S.I.D.C Gurgaon -
 122016 Haryana
 Tel: + 91 124 500 7406

United Arab Emirates

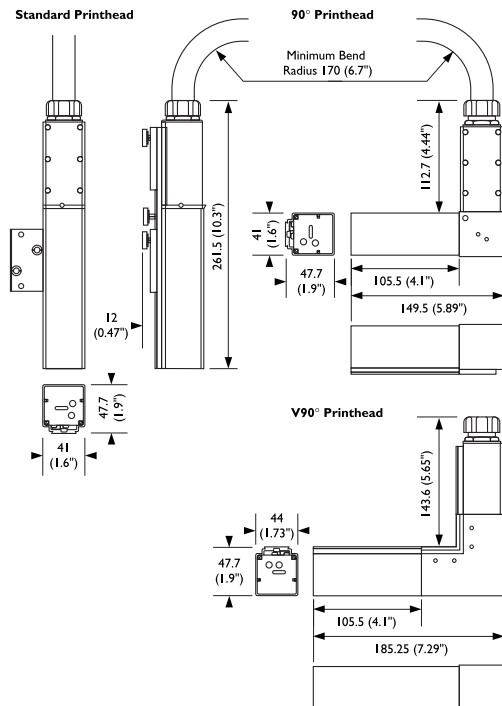
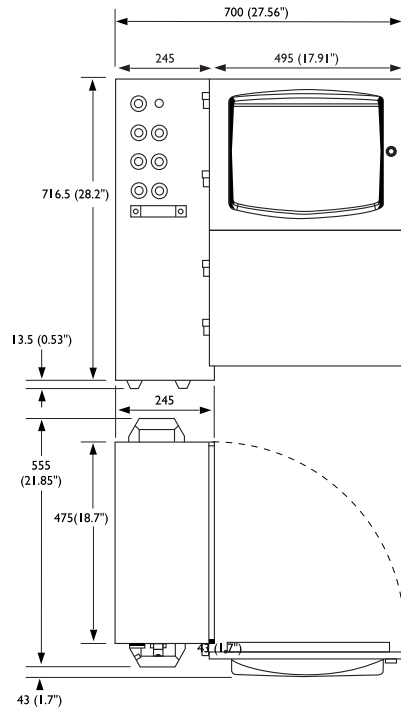
Domino UK Ltd
 P.O.Box 16984
 Jebel Ali Free Zone
 Dubai
 U.A.E.
 Tel: + 971 4 88 35003

United Kingdom

Domino UK Ltd
 Bar Hill
 Cambridge
 CB23 8TU
 Tel: + 44 1954 782 551

United States of America

Domino Amjet. Inc.
 1290 Lakeside Drive
 Gurnee
 Illinois 60031
 Tel: + 1 800 486 7414



www.domino-printing.com

