

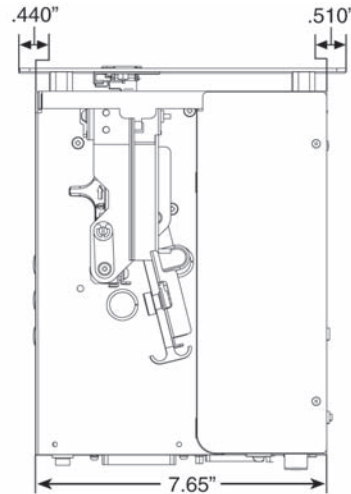
➤ PRODUCT SPECIFICATIONS
SV-CLASS

Now with
USB!

Packaging - Processing
Bid on Equipment
1-847-683-7720
www.bid-on-equipment.com



▪ SV-3210 ▪ SV-3306



Need to meet a specific in-counter admissions application requirement?

Datamax S-Class products can deliver your ticket!

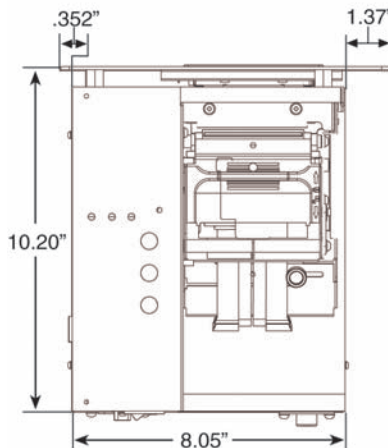
The Datamax S-Class family of ticket and tag printers has been upgraded with increased memory and processing power, bi-directional parallel port, USB port, and are now RoHS compliant.

Manufactured specifically for use in the ticketing industry as high-performance, value-priced products, the Datamax SV-3210 and SV-3306 redefine on-demand price and performance criteria for vertical mount admissions ticketing.

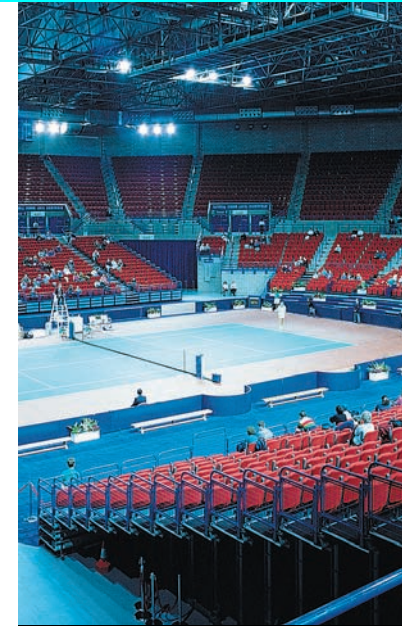
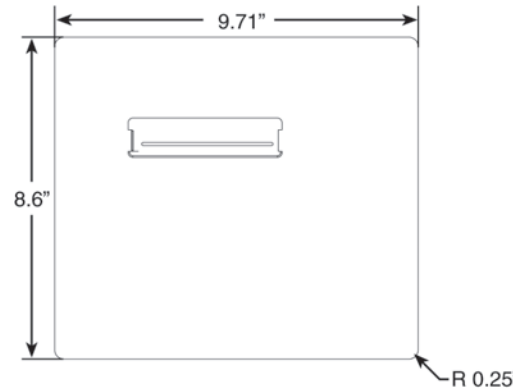
S-CLASS PRINTERS

are ideal for applications such as:

- Stadium Events
- Parking Facilities
- Loyalty Programs
- Live Events
- Ski Resorts
- Coupons
- Theater Venues



Material: 304 Stainless Steel, 13GA (.0897")



CORPORATE HEADQUARTERS

4501 Parkway Commerce Blvd.
 Orlando, Florida USA 32808
 Phone (407) 578-8007
 Fax (407) 578-8377
 customercare@datamaxcorp.com

DATAMAX LABELS AND RIBBONS

Phone (800) 321-2233
 Fax (800) 436-8920
 dmxmlmedia@datamaxcorp.com

DATAMAX LATIN AMERICA

Phone (407) 523-5520
 Fax (407) 578-8377
 tdelgado@datamaxcorp.com

DATAMAX INTERNATIONAL

Phone +44 1279 772200
 Fax +44 1279 424448
 rbyrne@datamaxcorp.com

DATAMAX ASIA-PACIFIC REPRESENTATIVE OFFICE

Phone +65-6542-2611
 Fax +65-6542-3611
 datamax@pacific.net.sg

DATAMAX CHINA REPRESENTATIVE OFFICE

Phone +86 21 64952882
 datamax_cn@china.com



www.datamaxcorp.com

PRODUCT SPECIFICATIONS

SV-CLASS

	SV-3210	SV-3306
PRINT SPEED	10 IPS	6 IPS
RESOLUTION	203 DPI	300 DPI
PRINT WIDTH	3.15" (80 mm)	3.2" (81.3mm)
MEMORY	4MB DRAM; 2MB Flash	4MB DRAM; 2MB Flash

PRINTER TYPE	Direct Thermal
BAR CODE MODULUS	5 mil to 55 mil (203 dpi) / 3.3 mil to 40 mil (300 dpi) *X" dimension in picket fence or ladder orientations
MEDIA WIDTH	1.9" – 3.25" (48.26mm – 82.55mm)
MEDIA TYPE	Fan-fold tickets or tags
MEDIA THICKNESS	0.0025" – 0.010" (.06mm – .254mm)
MEDIA SENSING	Adjustable reflective sensor for media with black stripe sensing (Automatic feed and top of ticket presentation)
PRINT LENGTH*	.25" – 99" (6mm – 2475mm)
LABEL BACKFEED	For use with optional cutter
CABINET	Metal construction
BAR CODES	Code 3 of 9, UPC-A, UPC-E, Interleaved 2 of 5, Code 128, EAN-8, EAN-13, HIBC, Codabar, Plessey, UPC 2 and 5 digit addendums, Code 93, Postnet, UCC/EAN Code 128, Telepen, UPS MaxiCode, FIM, PDF417, USD-8, Datamatrix, QR Code, Aztec, TLC 39, Micro PDF417
RESIDENT FONTS	Ten alphanumeric fonts from .035" (.89mm) to .64" (16.26mm) including OCR-A, OCR-B, CG Triumvirate™ smooth font from AGFA® consisting of ten bitmapped fonts from 6pt to 48pt.
DOWNLOADABLE FONT TYPES	TrueType, Agfa® Intellifont™, Bitmap
CHARACTER SET	Modified IBM® Code Page 850; includes characters for English and most European, Scandinavian and Spanish speaking countries. Scalable fonts can be used with over 50 resident character sets.
FONT EXPANSION/ROTATION	All fonts expandable vertically and horizontally up to 8x; fonts and graphics can be printed in four directions: 0°, 90°, 180° and 270°
GRAPHICS SUPPORTED	.PCX, .BMP and .IMG files
REVERSE FIELDS/MIRROR IMAGE	Any font or graphic field can be printed as a normal or reverse image
PROGRAMMING LANGUAGE	DPL™ (Datamax Programming Language™) and DTPL™ (Datamax Ticket Programming Language™, Ticket Industry Standard Emulation)
INTERFACES	USB, Centronics® IEEE-1284 Parallel port, RS232 at 1200 to 38,400 BPS
REAL TIME CLOCK	On-board real time clock maintains the printers hours of use, inches printed, and time and date.
WINDOWS® DRIVER	Used for creating label formats using virtually any Windows®-based program. Included on Datamax Accessories CD, or via our web site at www.datamaxcorp.com
POWER SOURCE	Auto-sensing 90 - 132 or 180 - 264 VAC @ 47-63 Hz; specify appropriate power cord when ordering
OPERATING TEMPERATURE	40°F to 95°F (4°C to 35°C)
DIMENSIONS	10" H x 8" W x 14" D (254mm H x 203mm W x 356mm D)
WEIGHT	18.8 lbs., 8.46Kg

DATAMAX SV-CLASS OPTIONS:

- CUTTER WITH TICKET PRESENT
- 4MB FLASH MEMORY EXPANSION
- ILPC FONTS FOR INTERNATIONAL USE
- TOP OF TICKET SESNOR

Packaging - Processing
Bid on Equipment
1-847-683-7720
www.bid-on-equipment.com



www.datamaxcorp.com

Built to UL, Canadian, and European safety standards, FCC Class A emissions standard and CE Mark. This data sheet is for informational purposes only. DATAMAX MAKES NO WARRANTIES, EXPRESSED OR IMPLIED IN THIS SUMMARY. Specifications are subject to change without notice. All trademarks are the property of their respective owners. ©2006 DATAMAX BAR CODE PRODUCTS CORPORATION. All rights reserved. Datamax is an ISO 9001 registered company.