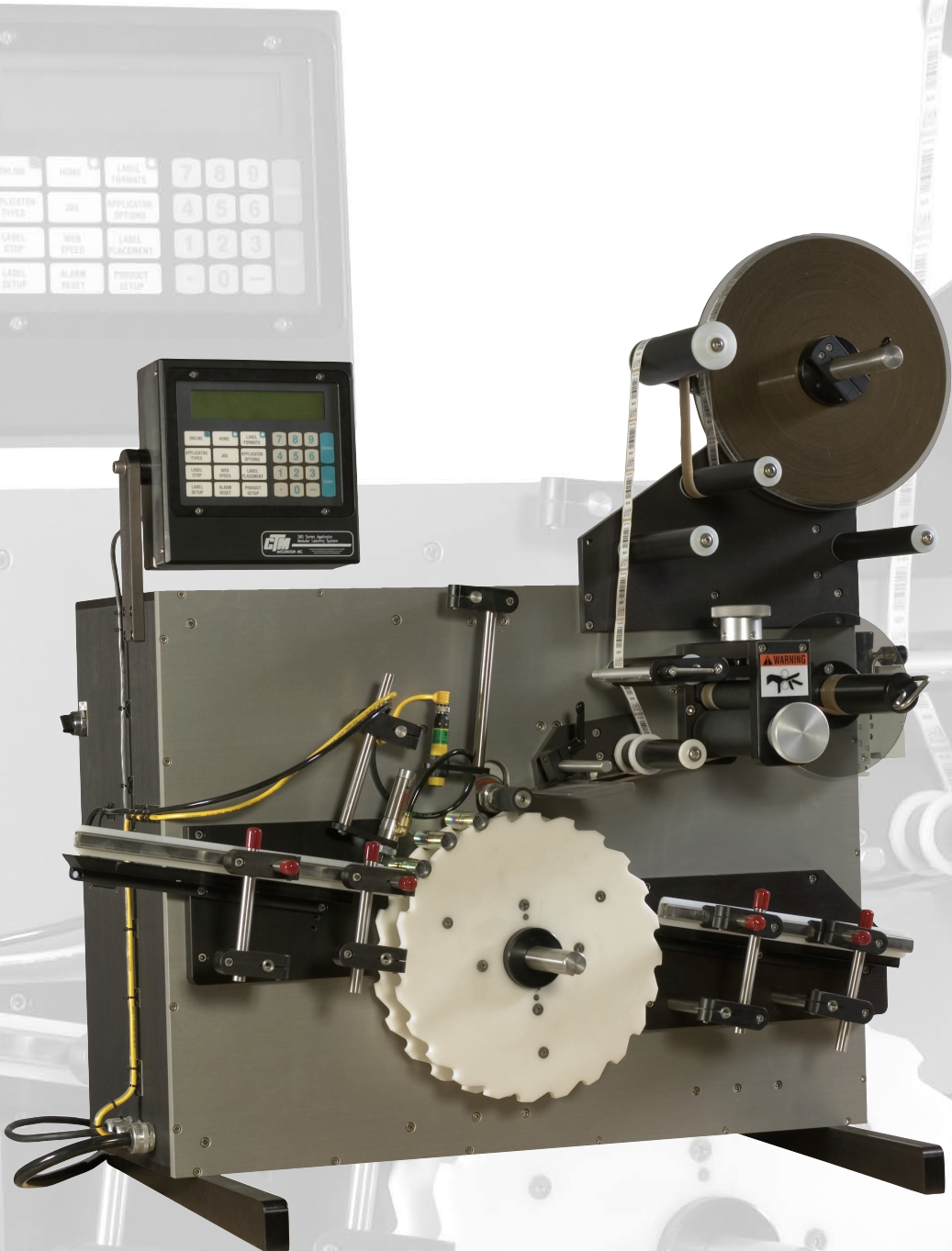


Tabletop Wrap Labeler



Packaging - Processing
Bid on Equipment
1-847-683-7720
www.bid-on-equipment.com

Innovations in Labeling
www.ctmlabelingsystems.com

Tabletop Wrap Labeler

Features:

Round products are manually loaded onto the infeed magazine. The indexing starwheel will remove one product at a time from the infeed magazine with each indexing motion. Once products have been captured by the starwheel, they are indexed to the labeling station where a powered roller spins the product as the label is applied. Labeled products will then continue around the starwheel until they fall onto the exit chute where they will fall into a collection hopper (collection hopper or box is not included.)

Standard Features:

Completely enclosed, rugged, anodized aluminum construction.
Microprocessor controlled.

(1) Custom set of machined starwheels included.

Adjustable infeed magazine accommodates a wide variety of cylindrical products.

Options:

Additional Starwheels.

Hot stamp imprinters.

Loose loop integration with thermal printers.

Clear label sensing.

16" Diameter label roll capacity.

Electrical:

120 Volts AC, 7 Amps
50/60 Hertz

Pneumatic:

80 PSI, 2 CFM

Speed:

225-330 IPM
Up to 50 PPM - Depends
on product and label sizes.

Roll Capacity:

12" OD, 3" ID
(optional 16" OD, 3" ID available)

Product Dimensions:

Max Dia.: 2.500"
Min Dia.: .313"
Max Length: 6.000"
Min Length: .750"

Label Dimensions:

Max Width: 5.000"
Min Width: .500"
Max Length: 8.000"
Min Length: .500"

Label Sensing:

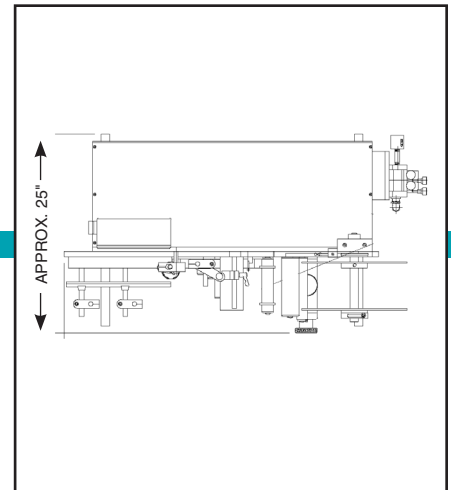
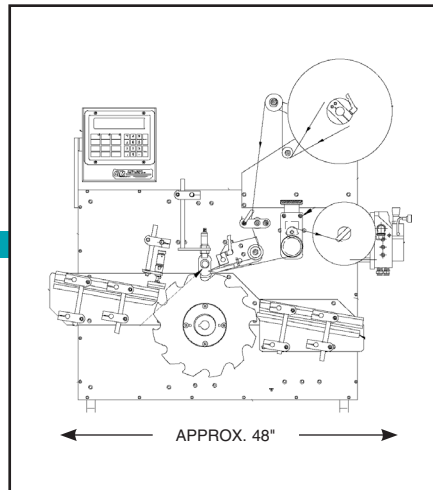
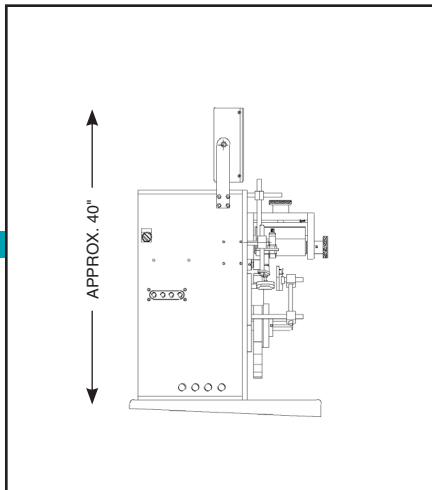
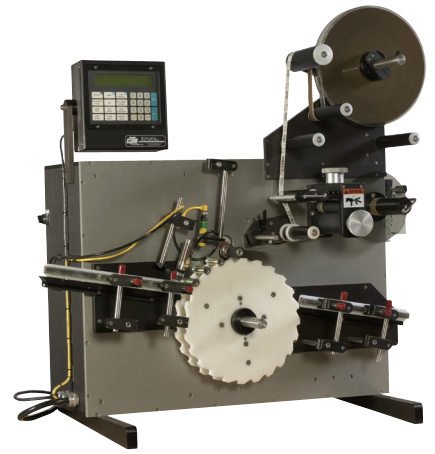
Photoelectric

Dimensions:

40" H, 48" W, 25" D

Weight:

250 lbs.



Distributed By:



1318 Quaker Circle
P.O. Box 589
Salem, Ohio 44460
(330) 332-1800

www.ctmlabelingsystems.com

Packaging - Processing

Bid on Equipment

1-847-683-7720

www.bid-on-equipment.com

