

CD/DVD Spine Labeling System

CTM **INTEGRATION INC.**
Labeling Systems Built to Last



Packaging - Processing

Bid on Equipment

1-847-683-7720

www.bid-on-equipment.com

Innovations in Labeling

www.ctmlabelingsystems.com

CD/DVD Spine Labeling System



Features:

- 1, 2 or 3 labels with print/apply, or apply only
- Low label /out of label detection
- Serial or Parallel Interface
- 12" O.D. x 3" I.D. Unwind
- Universal Mounting Bracket
- One Vacuum Pad/Manifold Assembly.
- Photoelectric Product & Label Detect
- Low Ribbon/Out of Ribbon detection

Conveyors:

- 3.75" wide x 8', 10', 12' long
- 8.25" wide x 8', 10', 12' long

All Conveyors Include:

- Electrical Control Enclosure
- Operator Control Console
- Mattop Chain Surface
- Versalum Low Profile Conveyor Side Frames
- Modular Labeler Mounting Assembly w/traverse & column
- One, Three-Fold Tooling Assembly
- Casters & Leveling Pads

Options:

- Bar Code Verification*
- Disk Presence Detection
- Product Metering Wheel
- 90 Degree Turn Station
- Additional Fold Tooling** (Amaray/Alpha DVD cases)
- **consult manufacturer for other case type fold tooling.

*Bar Code Verification Includes:

- Microscan Scanner
- Push-Button "Teach" Mode
- Product Detect Scanner
- Pneumatic Eject Mechanism

- PLC Control
- Eject Chute
- Red, Green, Amber Light Stack
- One Electrical Relay for Major Fault for Customer Use

Note: If bar code verification is not required, a relay output/input for fault conditions is optional

Spot Label Applicators

(may require additional conveyor length)
Will accommodate CTM 360 Series Blow-on, Tamp or Merge Label Applicators

Spot Labeler Options

- Low Label Detection
- Web Break detection
- Strobe Light
- T-base Mounting Stand (May require additional conveyor length)
- Integral System Mounting (Requires additional conveyor length)
- Systems do not include computer hardware

Electrical:

120 VAC, 30 amps.

Electronics:

- PLC Controlled
- Operator Interface

Pneumatic:

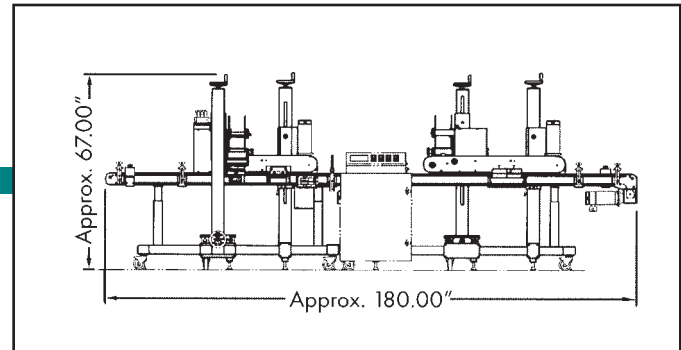
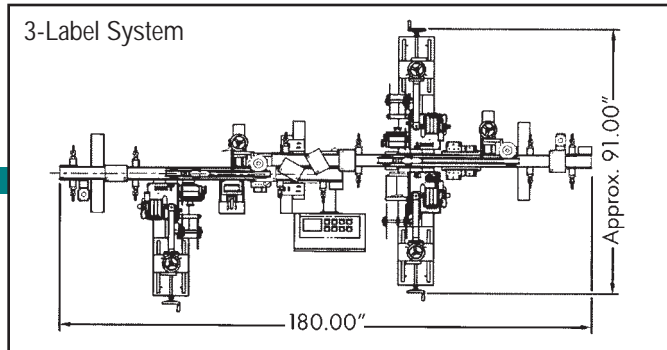
80 PSI @ 3 to 9 CFM depending upon application

Labeling Speeds:

120 PPM - Depending upon printer applicator configuration

Shipping Weight

Min.: 1200 lbs.
Max.: 1615 lbs.



Distributed By:

CTM **INTEGRATION INC.**
Labeling Systems Built to Last

1318 Quaker Circle
P.O. Box 589
Salem, Ohio 44460
(330) 332-1800

www.ctmlabelingsystems.com

Packaging - Processing

Bid on Equipment

1-847-683-7720

www.bid-on-equipment.com