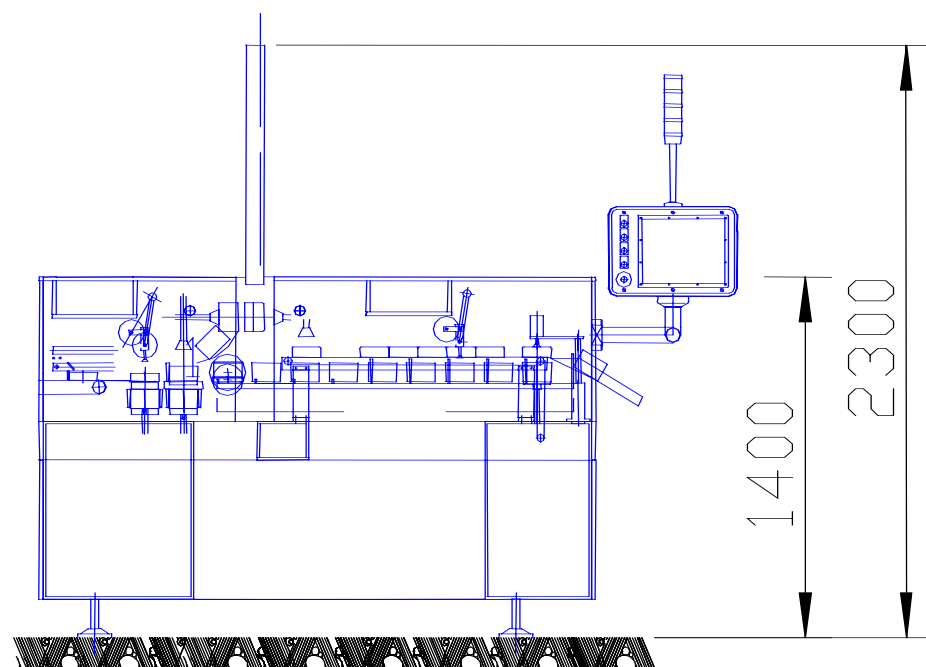


SF50 Boxing Machine

Machine Features

Automatic cartoning machine for triangular portions of processed cheese in round boxes suited to the required bundle configuration (4 layers max). The closed boxes are taken automatically from the magazine, opened and the lids separated from the bottoms. The bottom is placed over the formed bundle of portions, capsized and fed to the outfeed belt where it receives the lid for closing.

SF50 Dimensions



Machine Data

- Box configuration 6/6 – 8/8
- Layers 1 – 4
- Boxes for minute 25 boxes/min
- Installed Power 12 kW
- Air Usage 80 NI/min
- Min. Operating Pressure 6 bar
- Vacuum Usage 70 m3/h
- Operating Vacuum 600±50 mm Hg
- Weight 1500 kg
- Temperature -20 ÷ +50°C
- Relative humidity < 95% (no condensate)

