

FF220/DX Dosing Machine



Machine Features

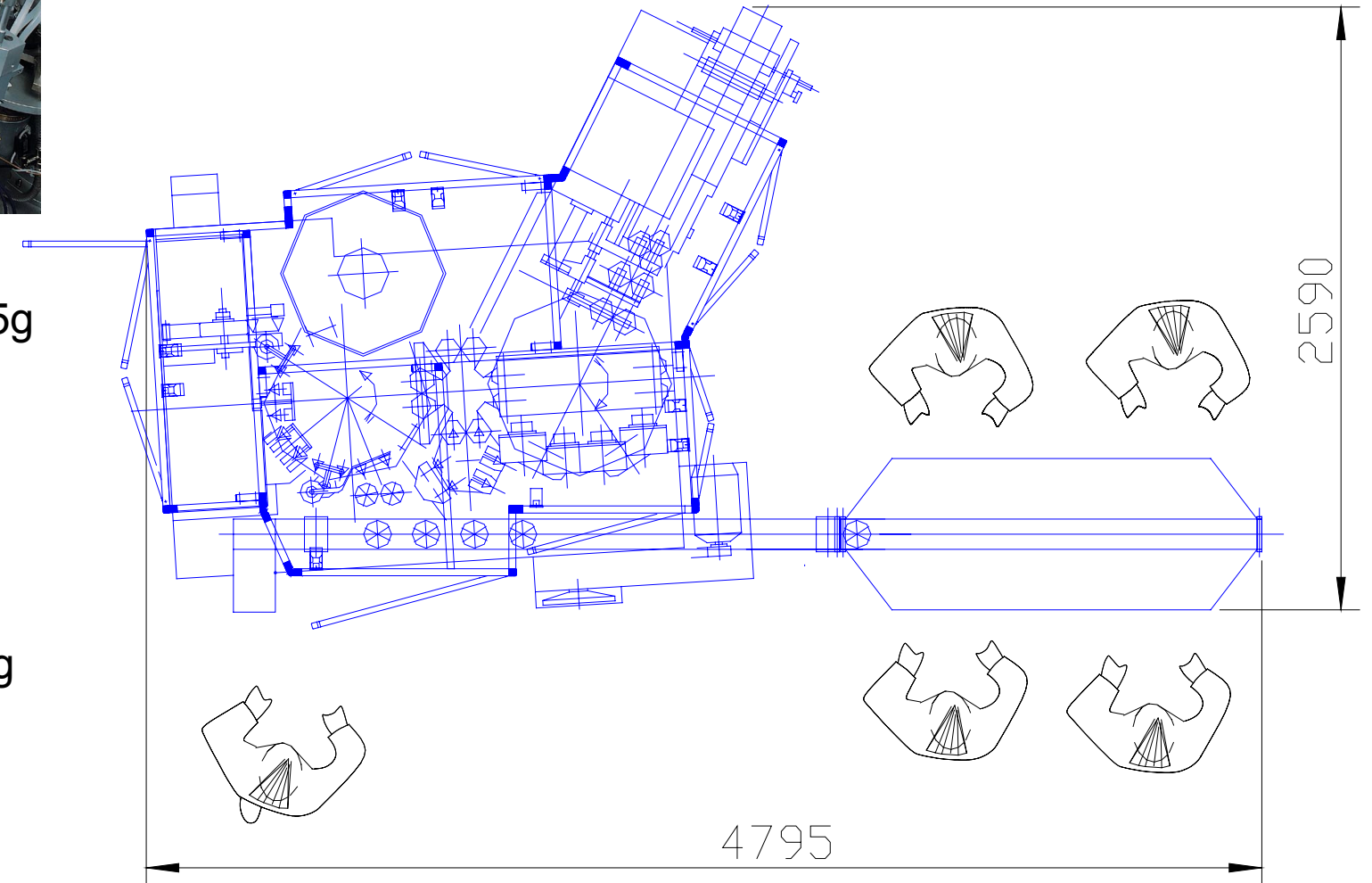
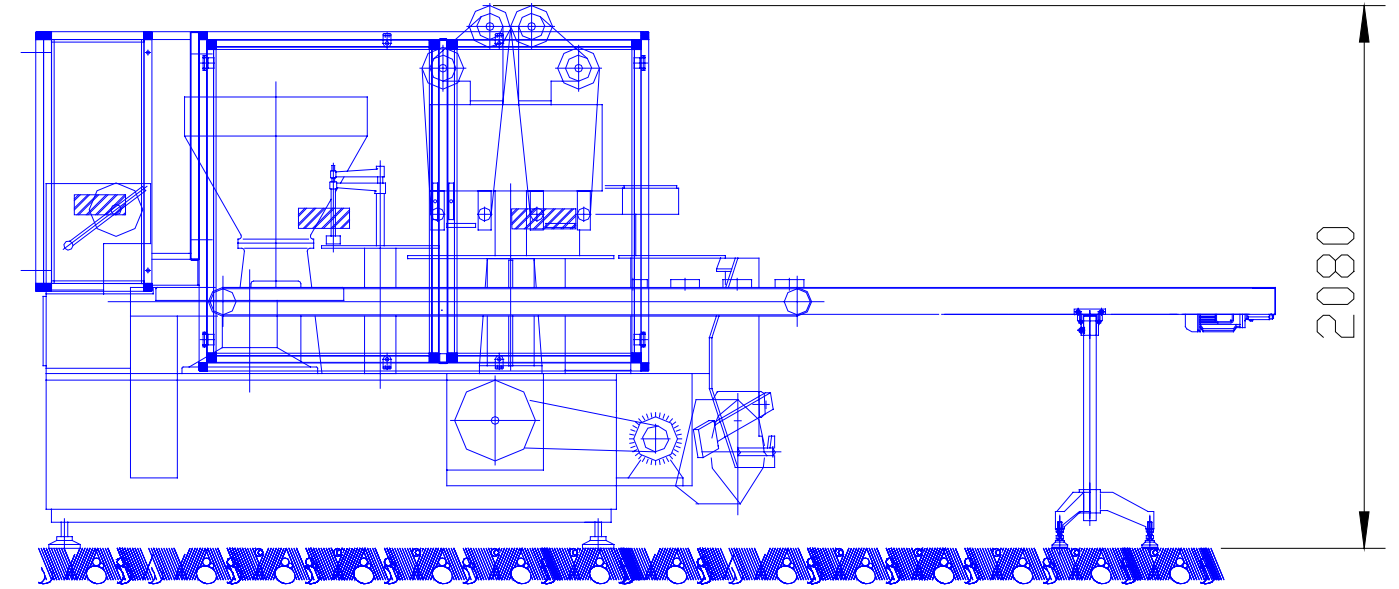
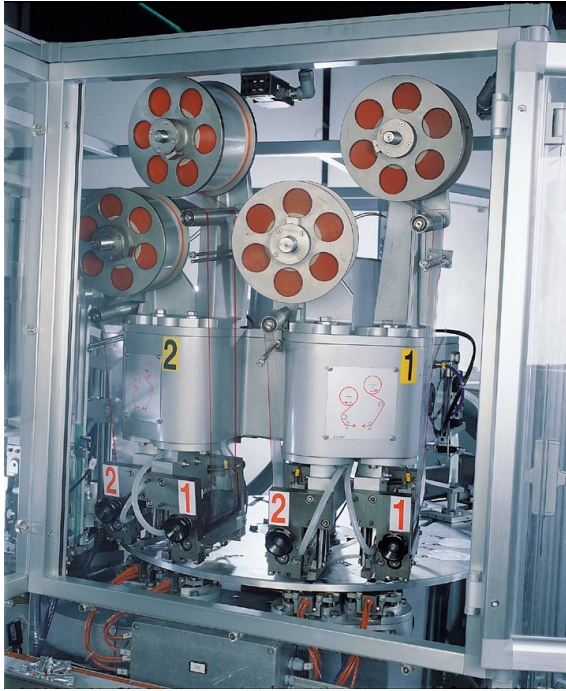
Double-head automatic dosing/wrapping machine designed for the packaging of triangular portions of processed cheese. The working process starts with the formation of the wrapping shells from reel-fed heat sealing aluminium foil for subsequent filling of processed cheese in the dosing station of the machine.

A lid of heat sealing aluminium foil is placed inside the filled shell which is then folded over the lid and sealed by heated pressure pads. Each portion includes an internal 'consumer-friendly' easy opening tear strip and an external paper brand label. The portions are finally gathered in the required bundle configuration and carried onto the outfeed conveyor on a single lane.



FF220/DX Dosing Machine

FF220/DX Dimensions



Machine Data

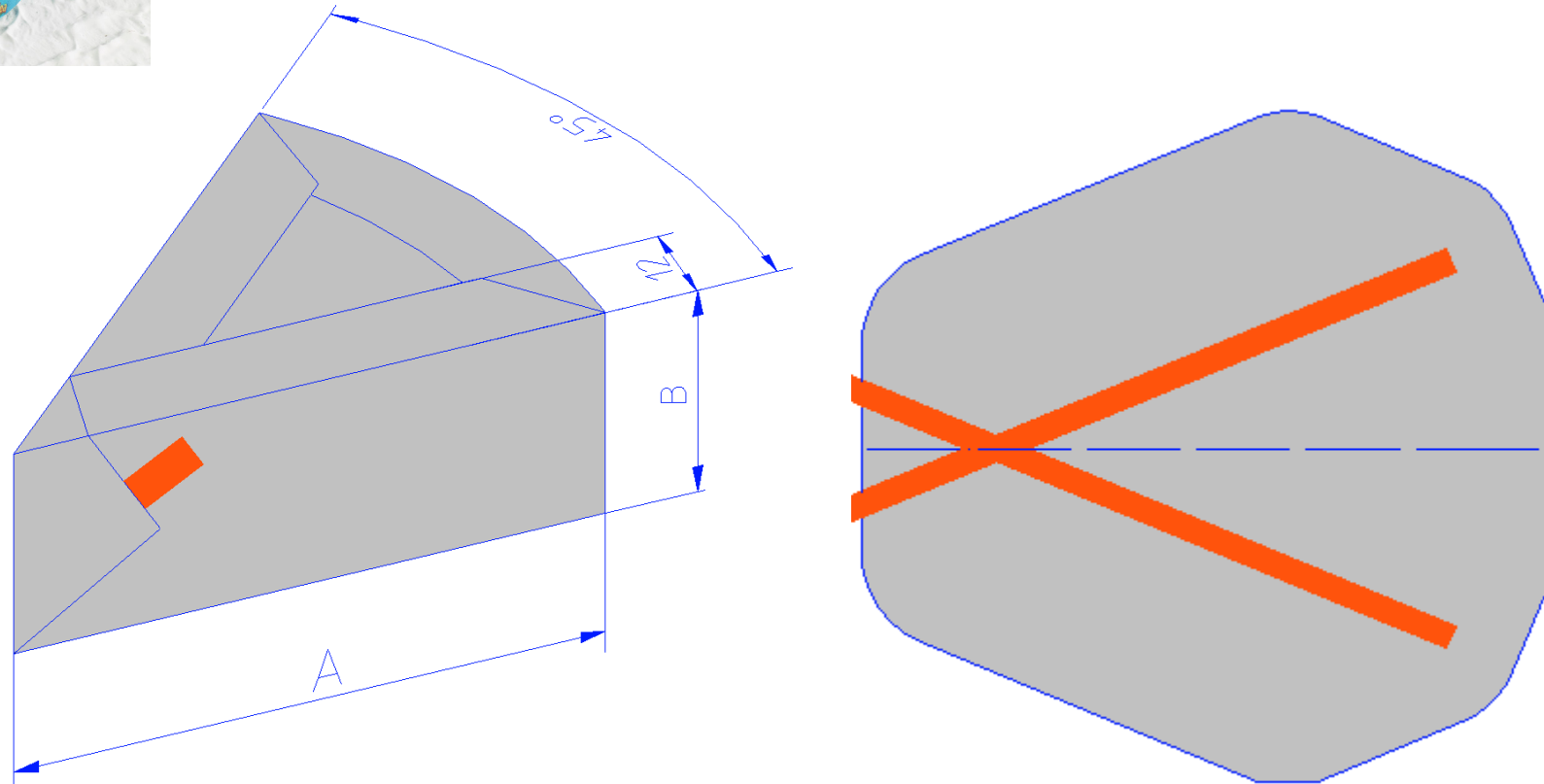
- | | |
|---|-----------------------|
| • Portion Weight | 10/40 - 40/62,5g |
| • Portions for minute | 200 p/min |
| • Flavours | 1 |
| • Installed Power | 8,5 kW |
| • Compressed Air | 100 NI/min |
| • Min. Operating Pressure | 6 bar |
| • Vacuum | 60 m3/h |
| • Operating Vacuum | 600±50 mm Hg |
| • Weight | 5100 kg |
| • Water temperature for product heating | < 85°C |
| • Max. Pressure | 1 bar |
| • Temperature | -20 ÷ +50°C |
| • Relative humidity | < 95% (no condensate) |

FF220/DX Dosing Machine

Product outfeed Triangular Portions



Portion Dimensions (mm)		
A	B	C
54.5	10.5 Min – 21 Max	-



Tear Tape "X" Type

