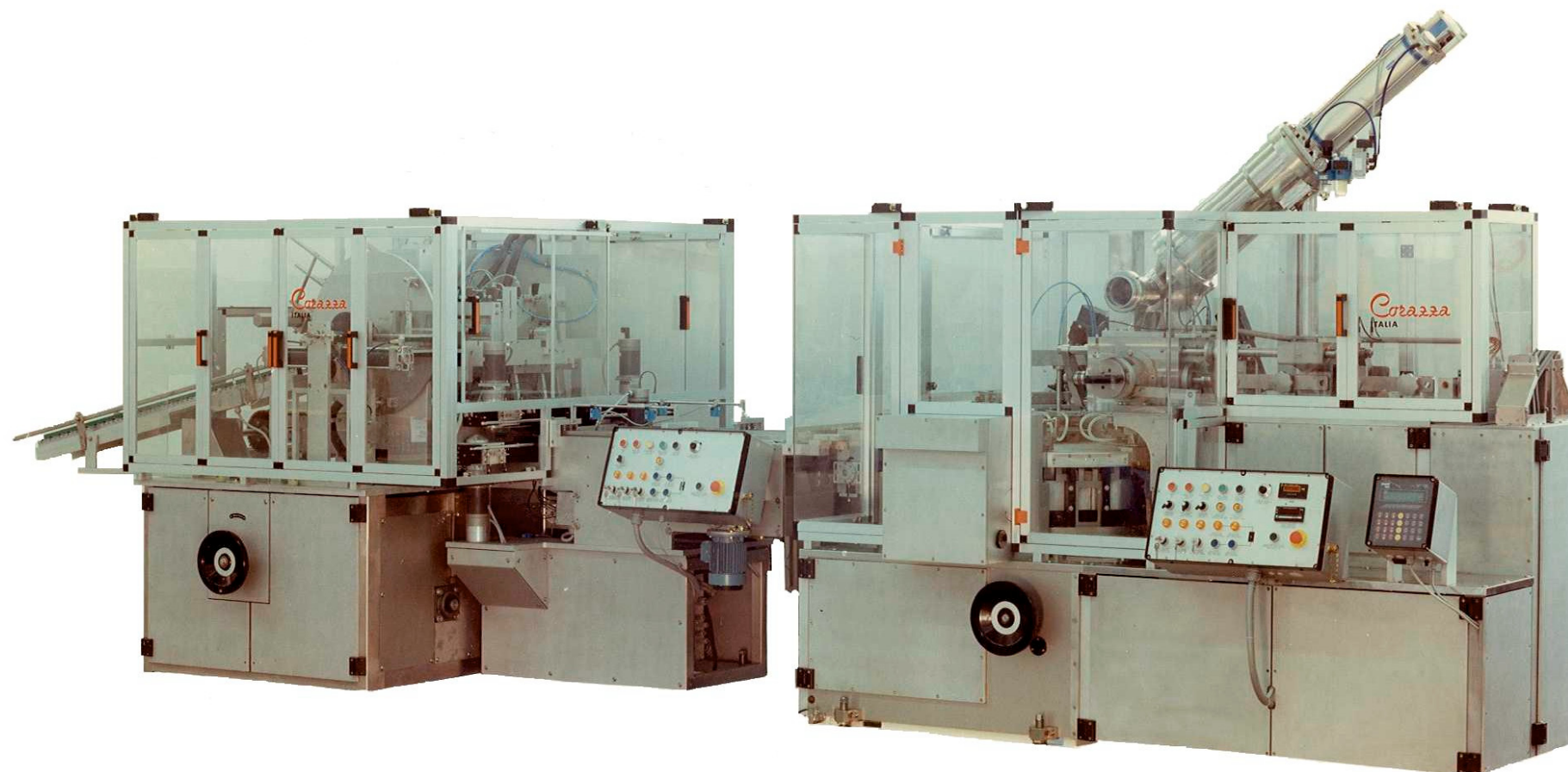


FB7 – AB7



Machine Features

Product infeed:

The butter is pumped directly into the dosing unit of the machine that will be equipped with a compensation piston to ensure a constant dosing pressure of the product. This compensating piston is not included in this proposal but Corazza can deliver it as an optional equipment, upon request.

Dosing:

Effected by a double-head piston, that doses the butter into the forming shells of an 8-station indexing plate.

Wrapping:

'Portfolio' style.

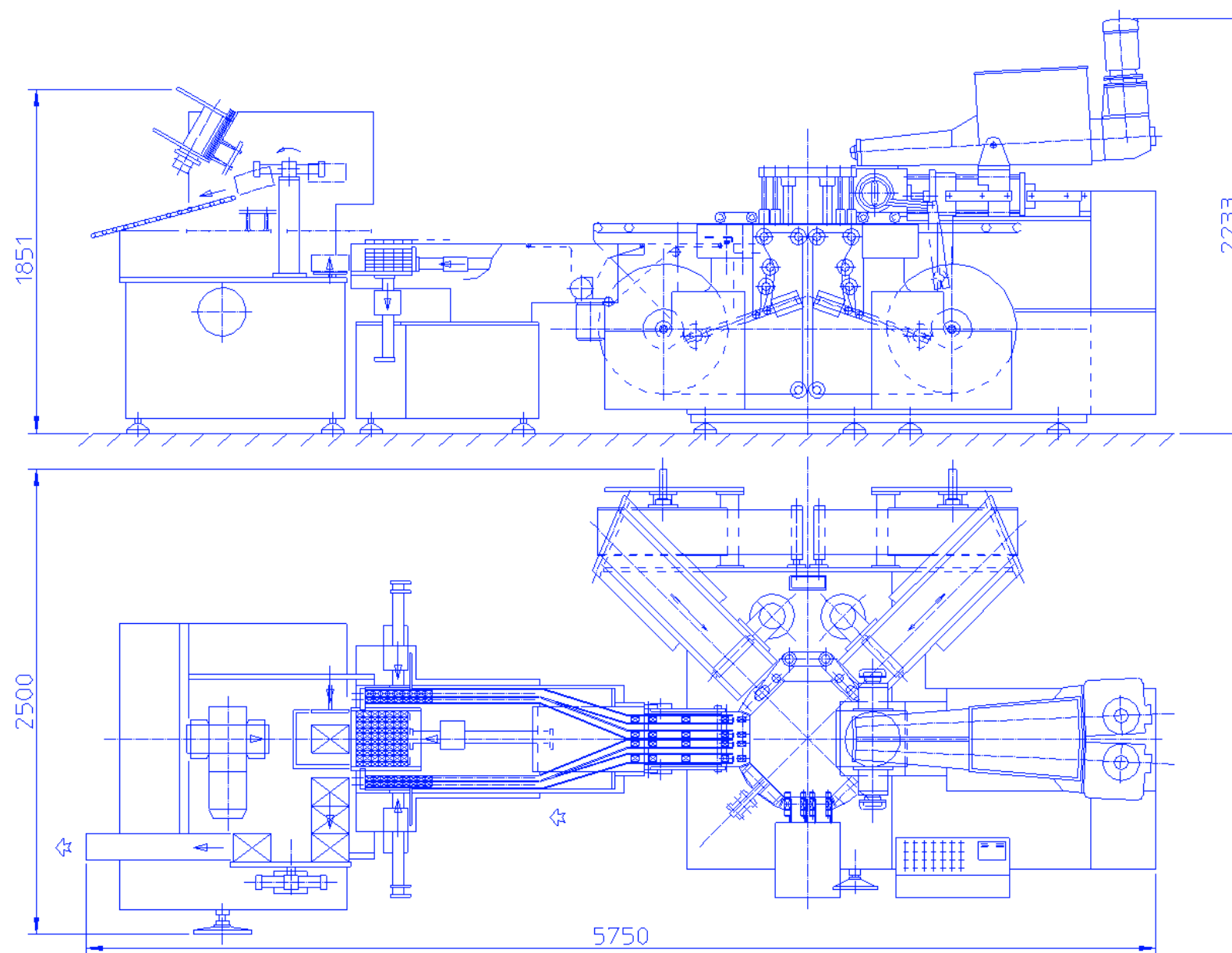
Wrapping Cycle:

The wrapping foil is fed by two rolls on two stations, where it is cut length-wise by two razor blades and crosswise by wide-tipped guillotine cutters, so that the complete shearing of the sheet is obtained with the print at its centre. In each station, two shells are formed by forming pistons and are placed in two of the 4 dosing cells of the indexing table. After dosing, the wrap is completed by folding the alu-foil, in portfolio style, with subsequent pressing of the products to obtain even portions. Finally 4 portions are ejected and conveyed 2 by 2 on double channels to the layering unit where they are grouped in the requested quantity.

Automatic Cleaning:

The machine is pre-engineered for the fitting of an automatic cleaning system (C.I.P.) which permit through a simple movement, the cleaning agents reach the remote areas where a product leakage can occur.

FB7 – AB7 Dimensions



Machine Data

- Portion Weight 7 ÷ 25 g
- Portions for minute 700 p/min
- Installed Power 20,5 kW
- Compressed Air 100 NI/min
- Min. Operating Pressure 6 bar
- Vacuum 10 m3/h
- Operating Vacuum 600±50 mm Hg
- Weight -20 ÷ +50°C
- Relative humidity < 95% (no condensate)



FB7 – AB7

Product outfeed

Portion Dimensions (mm)			Carton Dimensions (mm)		
A	B	C	M	N	O
20 Min.–30 Max.	20 Min.–50 Max.	6 Min.–25 Max.	130Min–250 Max	150 Min–300 Max	40 Min–100 Max

