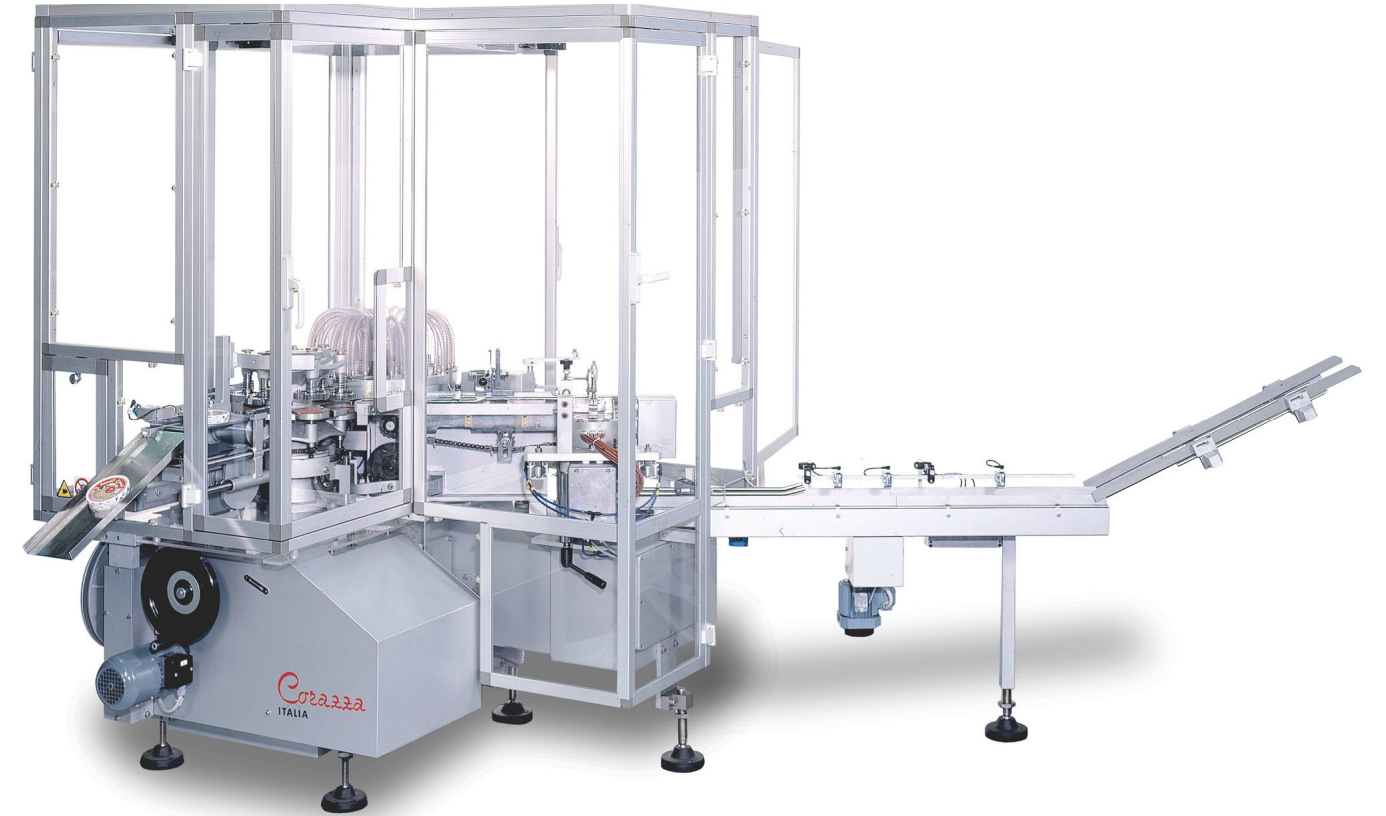
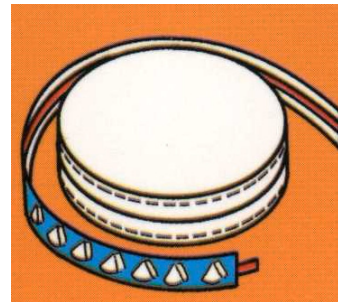
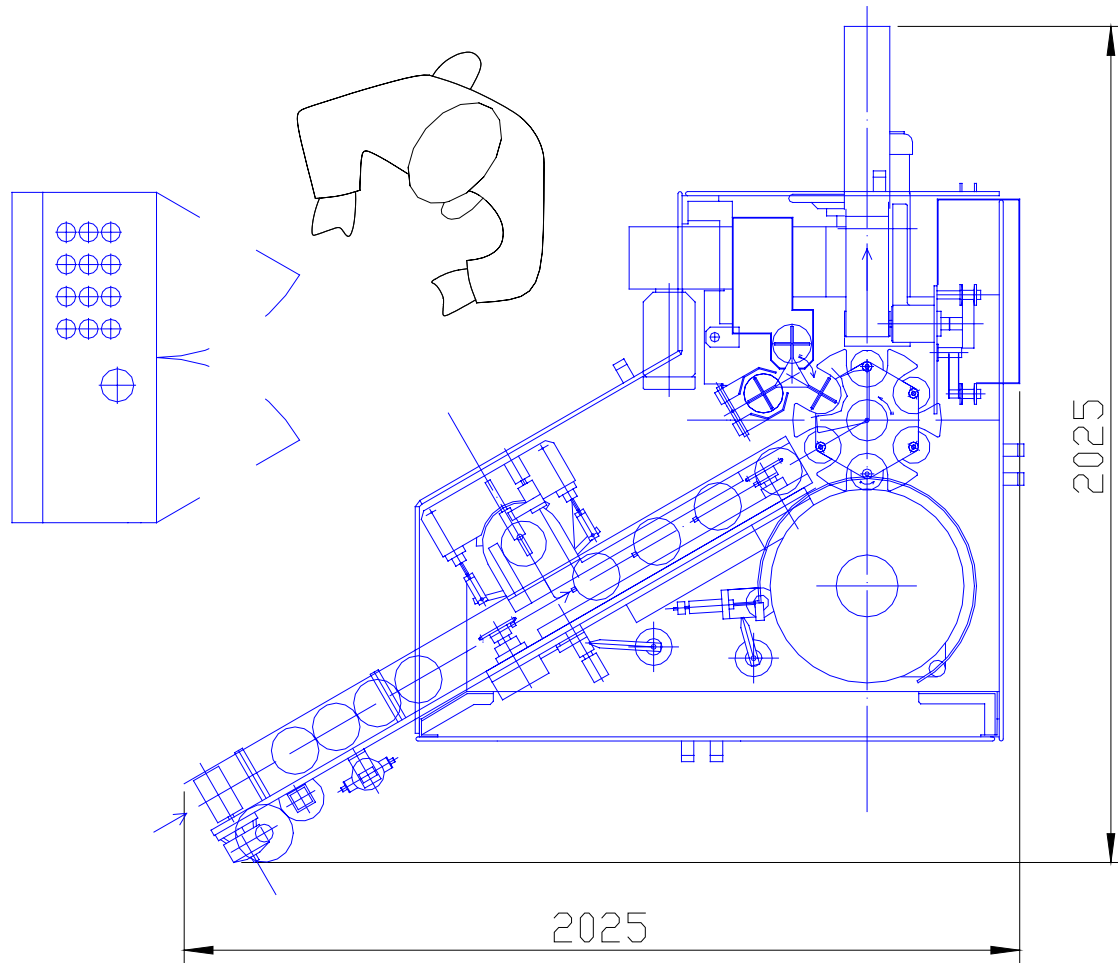


Machine Features

The EB80 has been designed for band-wrapping the side of a round box containing wedges of processed cheese. The machine can also apply a label to the top face of the box, print the band and insert a tearstring between the band and the box so as to make the latter easier to open. Both the band and the label are applied with cold glue. The machine may also be provided with a sizer which ensures the band is correctly applied to the side of the box. The machine may handle various sizes of bands and boxes. To change the size of the box or the band being used simply replace or adjust the size-related parts.



EB80 Dimensions



Machine Data

- Production capacity 80 boxes/min
- Installed Power 4.5 kW
- Compressed Air 15 NI/min
- Min. Operating Pressure 6 bar
- Vacuum 60 m3/h
- Operating Vacuum 600±50 mm Hg
- Weight 1500 kg
- Temperature -20 ÷ +50°C
- Relative humidity < 95% (no condensate)