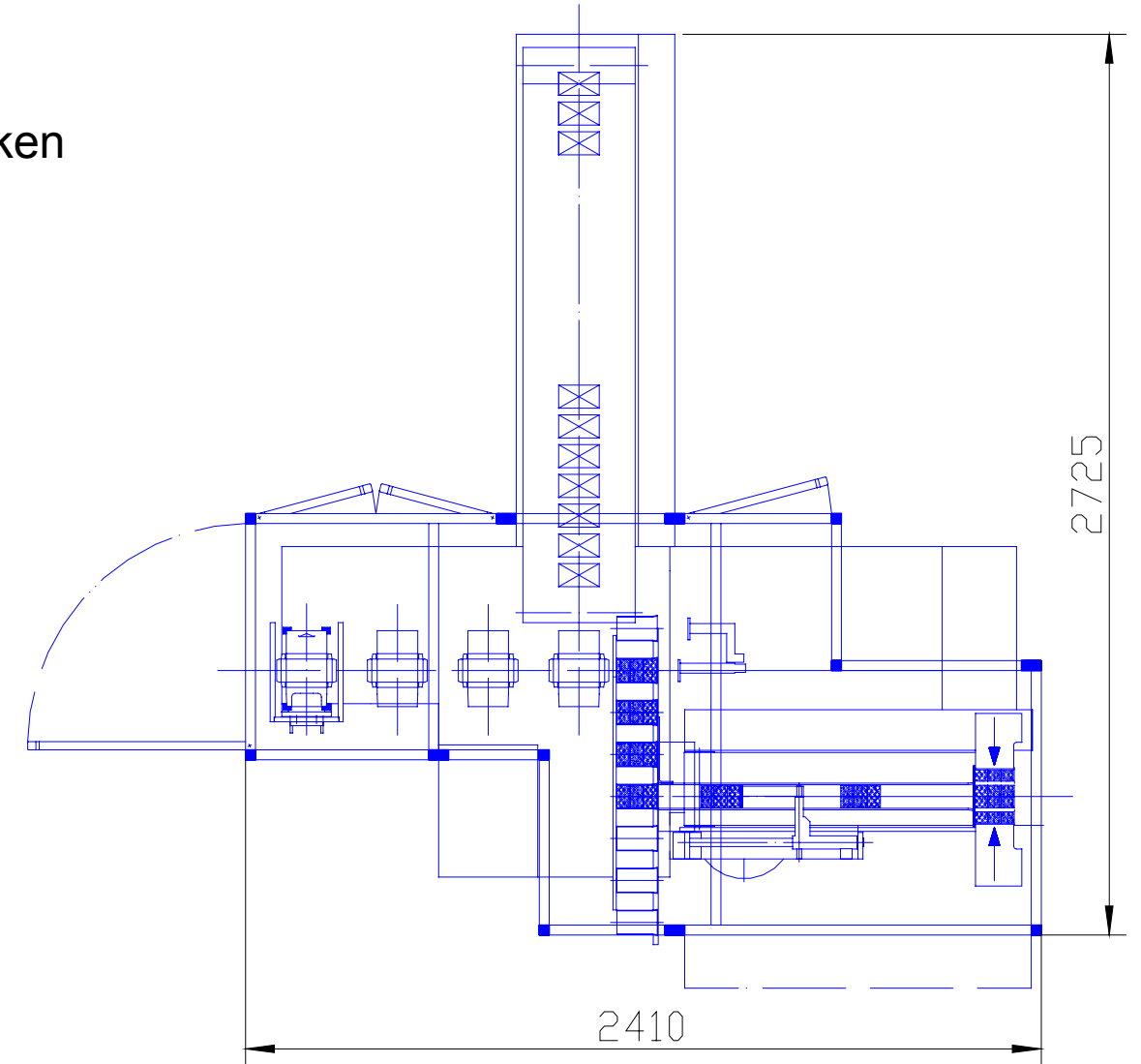
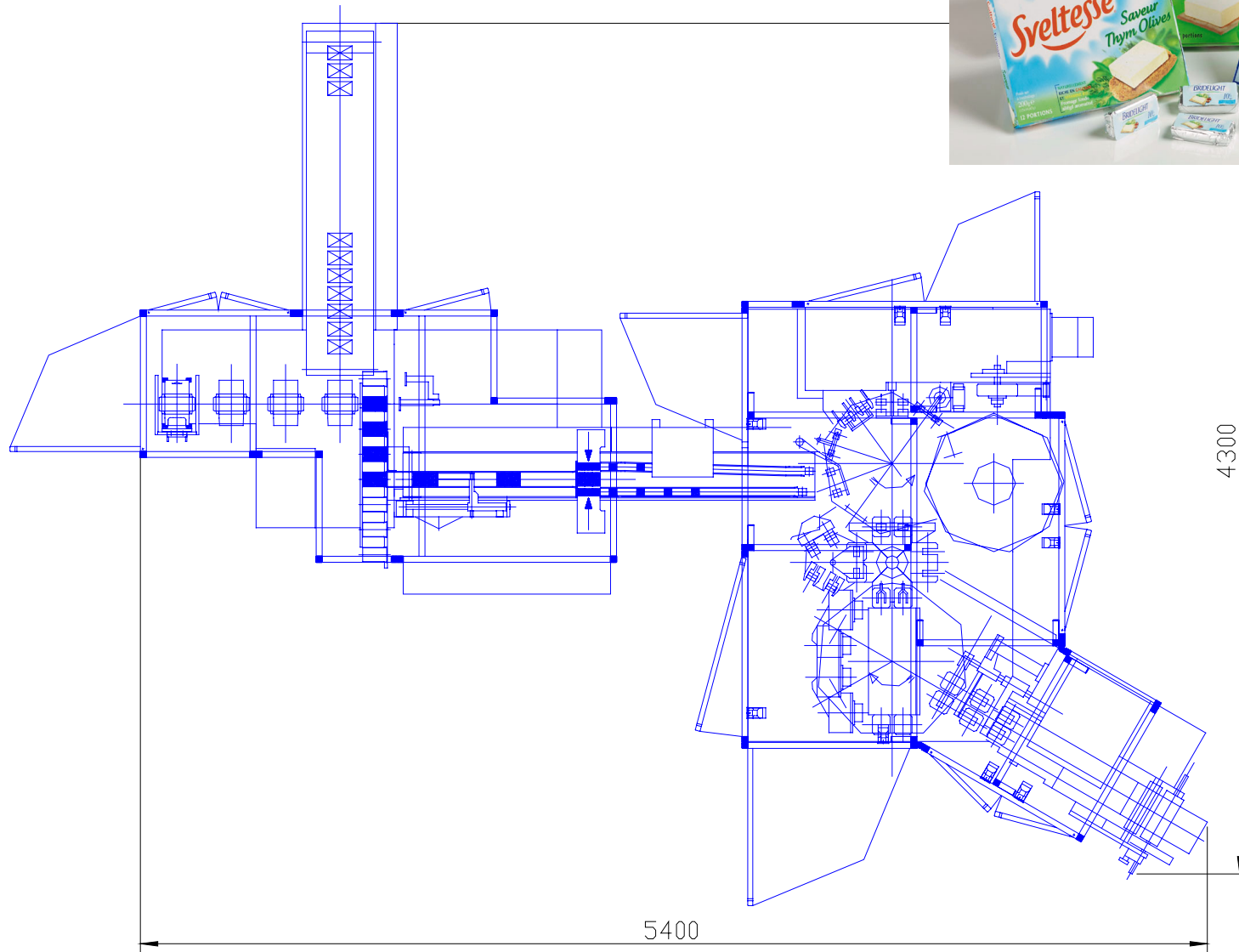


AM75 Boxing Machine

Machine Features

Automatic cartoning machine for square portions of processed cheese in boxes suited to the required bundle configuration (4 layers max). The closed boxes are taken automatically from the magazine, opened and the lids separated from the bottoms. The bottom is placed over the formed bundle of portions, capsized and fed to the outfeed belt where it receives the lid for closing.

Typical Line FF220/DX + AM75



Machine Data

- Boxes for minute 50 boxes/min
- Installed Power 2 kW
- Air Usage 4 NI/min
- Min. Operating Pressure 6 bar
- Weight 1700 kg
- Temperature -20 ÷ +50°C
- Relative humidity < 95% (no condensate)