

# TBS Series

## Automatic Top and Bottom Sealers

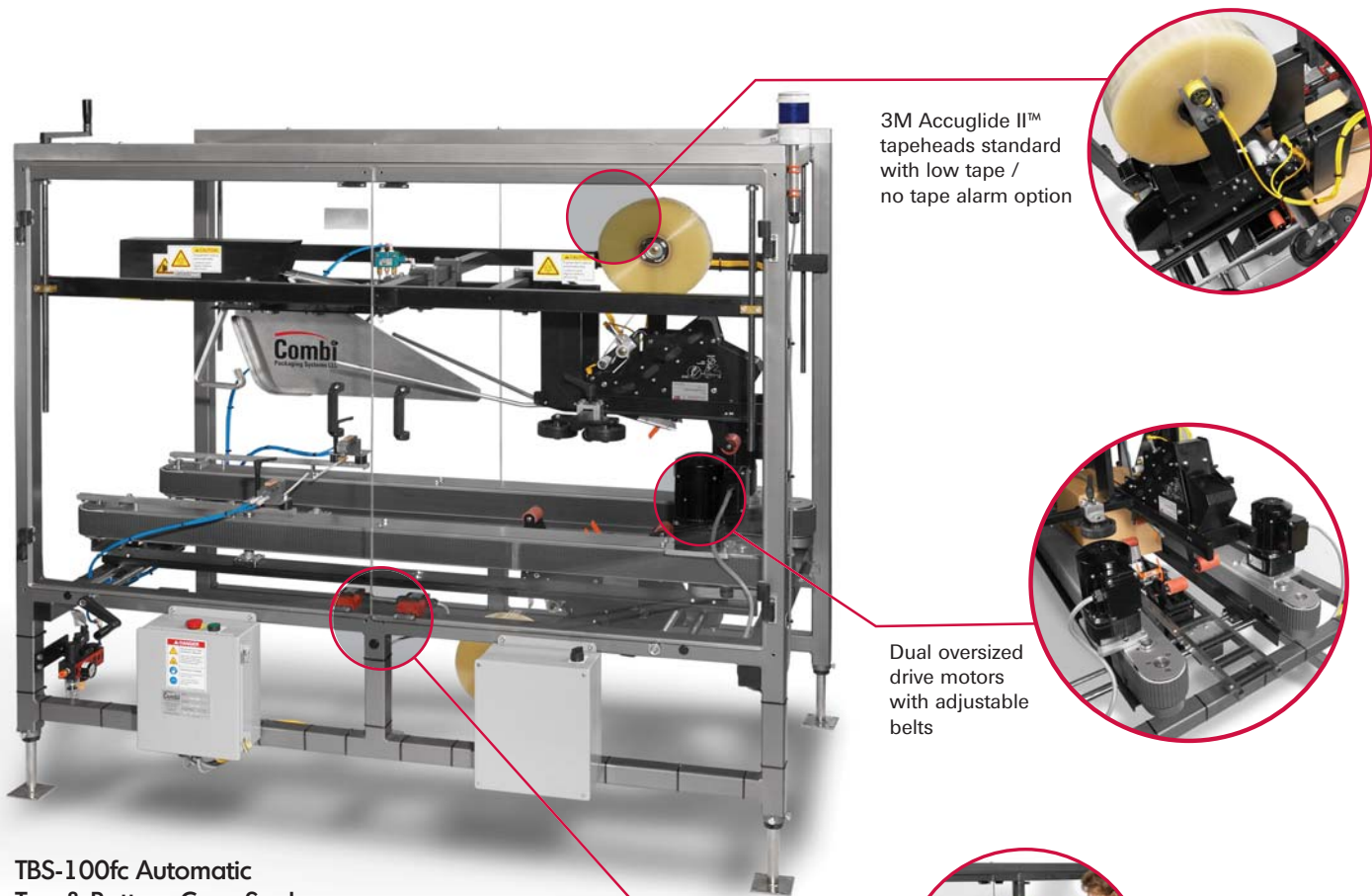
Whether you need a stand-alone case sealer to boost productivity or a sealing solution integrated at the end of your Combi case packing line, TBS sealers offer a reliable solution for your needs. Using the same heavy duty tubular steel frame as other Combi systems, the TBS is built tough for years of top performance. 3M Accuglide II™ tapeheads efficiently seal top and/or bottom of the widest range of cases in a small footprint. With Combi's TBS sealers, tape roll changes are easy, and changeovers between case sizes are simple and repeatable.

### Features:

- Heavy duty steel construction
- Quick changeovers
- Oversized drive motors
- V-Guide drive belt for straight tracking
- Seamless Combi system integration
- 3M Accuglide II™ tapeheads

### Options:

- Stainless steel framework
- NEMA 4 compliant washdown components
- Low tape / No tape alarm system
- 3" Accuglide II™ tapehead from 3M
- Motorized case height adjustment



3M Accuglide II™  
tapeheads standard  
with low tape /  
no tape alarm option

Dual oversized  
drive motors  
with adjustable  
belts

Safety Interlocked  
Guarding

TBS-100fc Automatic  
Top & Bottom Case Sealer

# TBS Series

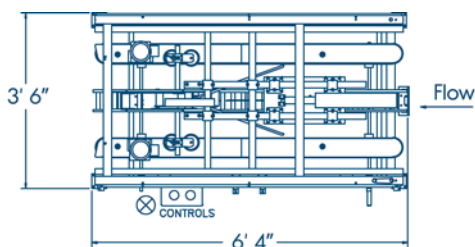
## Features and Specifications:

- Heavy duty welded tubular steel construction
- Lifetime warranty on structural framework
- Quick changeovers with crank adjustments
- Oversized motors (1/3 HP each)
- V-Guide drive belt for straight tracking
- Emergency stops integrated with case packing line and conveyors
- Available in top or bottom only models
- Automatic product indexing
- Four flap folding
- One year warranty
- Replacement parts ship within 24 hours
- 3M Accuglide II™ tapeheads

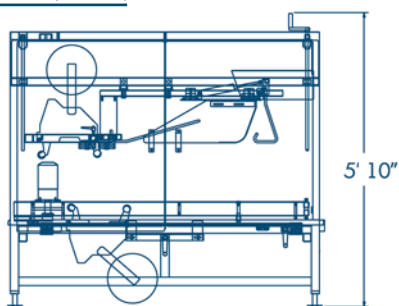
Model	Case Size Min. (LxWxH)	Case Size Max. (LxWxH)	Speed: Cases Per Minute*
TBS-100 FC	4 1/2" x 4 1/2" x 5" 114 x 114 x 127mm	24" x 20" x 24" 600 x 508 x 600mm	30
TBS-100 HS	4 1/2" x 4 1/2" x 5" 114 x 114 x 127mm	24" x 16" x 24" 600 x 406 x 600mm	50
TBS-100 (semi-auto)	4 1/2" x 4 1/2" x 5" 114 x 114 x 127mm	24" x 16" x 24" 600 x 406 x 600mm	15
TBS-100 LD (lug drive)	4 1/2" x 4 1/2" x 5" 114 x 114 x 127mm	24" x 16" x 24" 600 x 406 x 600mm	15
TBS-400	10" x 8" x 10" 254 x 203 x 254mm	30" x 30" x 30" 762 x 762 x 762mm	8
TBS-500	16" x 11" x 10" 400 x 297 x 254mm	42" x 30" x 42" 1066 x 762 x 1066mm	8

\*Max speeds are case size dependent on specialty sealers

TBS-100 FC (top view)



TBS-100 FC (side view)



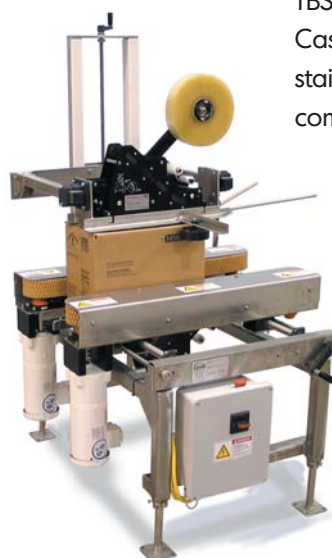
**Combi TBS Sealers** are capable of sealing the widest range of case sizes and styles.

### Case styles:

- RSC Regular Slotted Case
- CSSC With Meeting Minors
- RSC With 5th Panel Partition
- AFM All Flaps Meeting
- FOL Full Overlapping Flaps
- RSC With Reversed Glue Flaps

**Combi**  
 Packaging Systems LLC

5365 East Center Drive, N.E.  
 Canton, Ohio 44721  
 Phone: 1-800-521-9072  
 Fax: 330-456-4644  
 www.combi.com



TBS-100 Semi-Automatic Case Sealer (shown with stainless steel washdown components)