

EZ-Pack

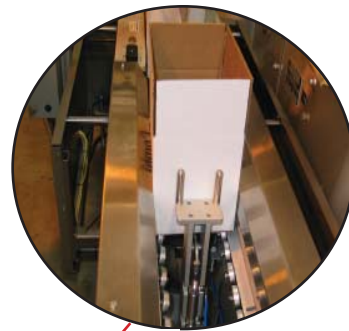
Semi-Automatic Pack Station



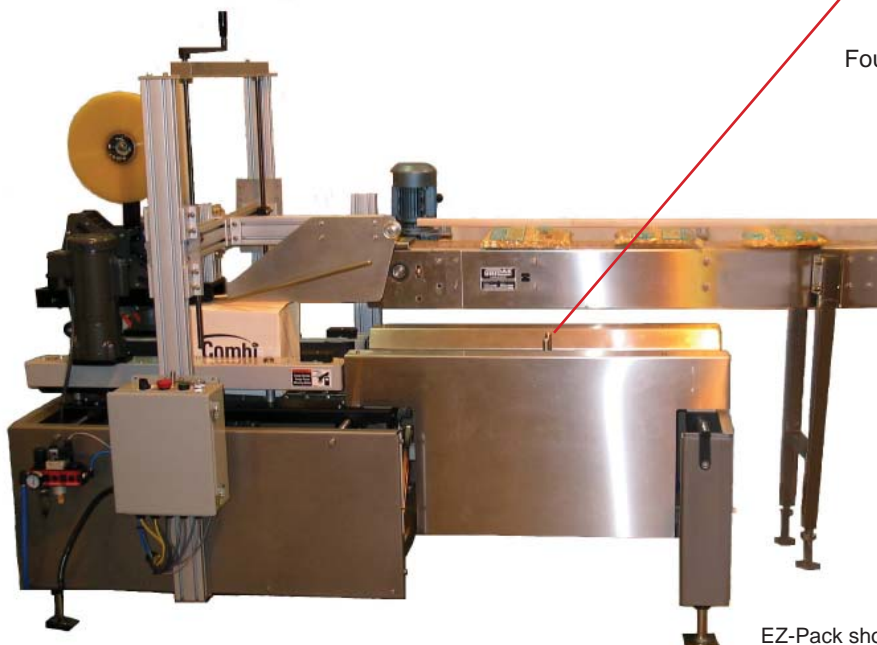
When you need to boost production but your operation just doesn't warrant full automation, the Combi EZ-Pack provides a semi-automatic solution for your manual packing lines. The simple, rugged design features an operator-assisted case erector, product infeed conveyor, pack station and sealer. The Combi EZ-Pack allows one person to form, pack and seal corrugated cases in a single operation. A cost-saving step up from manually erecting and taping boxes, this value priced pack station boosts efficiencies while reducing the threat of repetitive stress injuries. 3M™ Accuglide II+ tape heads efficiently seal top and/or bottom flaps and the modest footprint takes up little floor space. Tape roll changes are easy, and changeovers simple and repeatable.

Features:

- Combi Four Flap folding device, operator assisted
- Lifetime warranty on structural framework
- Right hand or Left hand execution
- V-Guide side drive belts
- 3M™ Accuglide II+ tapehead
- Quick changeover from case size to case size
- Compact Footprint
- Product Infeed Conveyor and Weigh Scale Options



Four flap folding mechanism closes the bottom flaps



EZ-Pack shown with optional product infeed conveyor

Packaging - Processing
Bid on Equipment
1-847-683-7720
www.bid-on-equipment.com

EZ-Pack

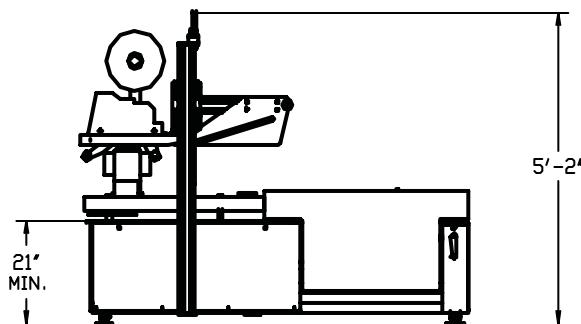
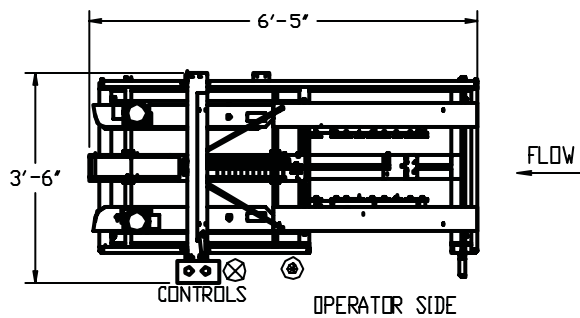
Operation Sequence:

The operator manually opens the case and places it into the flap-folding chamber. This device automatically senses the case and the bottom four flap folding mechanisms close the flaps. The operator's hands are now free to pack the case. Once the case is packed, the operator folds the rear minor flap and gives the case a push forward. The side belt drives of the case sealer take over and the top leading minor flap and the majors are automatically closed. The case is sealed top and bottom and the case discharges from the machine.



	Min Case Size	Max Case Size	Speed	Footprint
EZ-Pack	8 x 6 x 5"	24 x 16 x 16"	15*	3'6" x 6'5"

Distributed by:



5365 East Center Dr. NE
 Phone: 1-800-521-9072

Canton, OH 44721
 Fax: 330-456-4644