

# alphapack<sup>®</sup>

## Compact Pick & Place Packer

The Combi Alphapack is the new productivity solution for pick and place case packing. This system features an integrated case erector, yielding the smallest footprint in the industry while accommodating the widest range of case sizes and pack patterns. The Alphapack fits into the tightest packaging lines for precision top-loading of cartons, cans, bottles, bags and other products in single or multiple layers. Gentle product handling with vacuum or mechanical product pickup assure consistent case loading and product integrity. The Alphapack system features heavy-duty welded tubular steel construction, integrated touchscreen controls and diagnostics with a linear servo system capable of 30 picks per minute.

### Features:

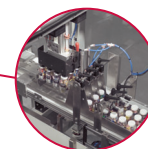
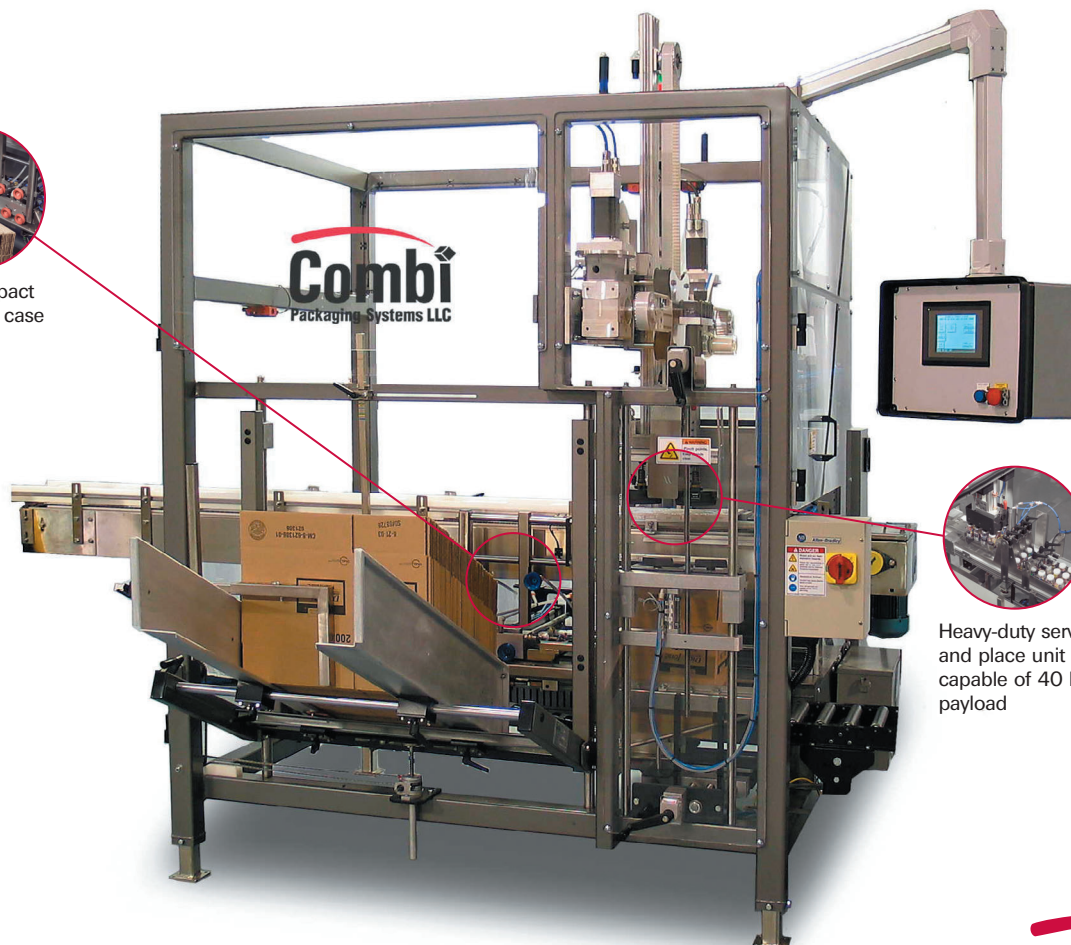
- Ultra compact footprint
- Integrated case erector
- Heavy-duty welded tubular steel framework
- Quick-release change parts for fast changeovers
- Easy load case magazine
- Versatile multi-axis servo pick-and-place unit
- Full safety interlocked guarding
- Touchpanel operator interface

### Options:

- Stainless steel framework
- Network control integration
- Multiple-axis product and case handling
- Available as stand-alone system
- Custom applications
- Color touchscreen



Ultra-compact integrated case erector



Heavy-duty servo pick and place unit capable of 40 lb. payload

# Alphapack Pick & Place Packing System

## Features and Specifications:

- Servo system capabilities up to 30 picks per minute
- Packs single or multiple layers
- Heavy duty welded tubular steel construction
- Right or left hand execution
- Vacuum blowoff every cycle prevents corrugated dust buildup
- System erects and packs into unsealed case
- Lockout / tagout safety disconnect
- 1 Year comprehensive machine warranty on non-wear items
- Lifetime warranty on structural framework

## Electrical Requirements:

230 volt / 3 phase power standard

## Air Requirements:

80 PSI clean air supply. Air consumption is product dependent.

## Case Dimensions:

Case Size Min. (LxWxH)	Case Size Max. (LxWxH)	Speed Cases / Minute
8½ x 4¾ x 4"	20 x 13½ x 19½"	12
216 x 121 x 102mm	508 x 343 x 495 mm	

Speed varies depending on product configuration. The Alphapack can also be configured as a stand-alone packing unit for higher speed applications.

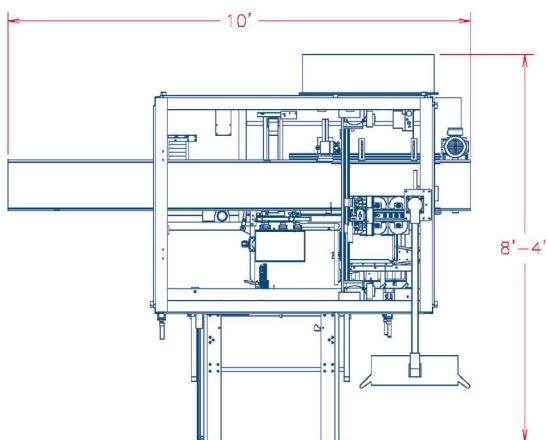


## The Alphapack Pick and Place Case Packer

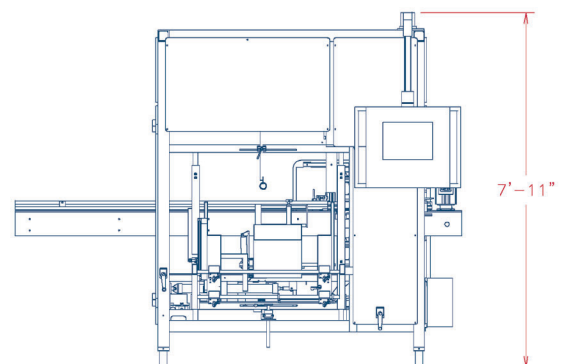
easily handles the widest range of products from flexible bags, chipboard cartons, shrink-wrapped packages, to light weight, semi-solid, products or any other package that requires special handling, orientation, or precise placement in multiple layers.

**Combi**  
Packaging Systems LLC

5365 East Center Drive, N.E.  
Canton, Ohio 44721  
Phone: 1-800-521-9072  
Fax: 330-456-4644  
[www.combi.com](http://www.combi.com)



Top View



Front View