

COMBINATION KNOCK-OUT POT/INLET FILTER



MODELS KOP-U SERIES

DESCRIPTION

Busch knock-out pots are designed with low pressure drop for vacuum service and provide a high degree of protection for your Busch vacuum pump.

Filtering out liquids and solid particulate from the process gas dramatically reduces pump oil contamination, improves the operating efficiency, and extends pump life.

The separation of entrained materials from the gas stream is accomplished in three stages. In the first stage the bulk liquid is separated from the gas by the initial tangential flow of the gas stream into the vessel.

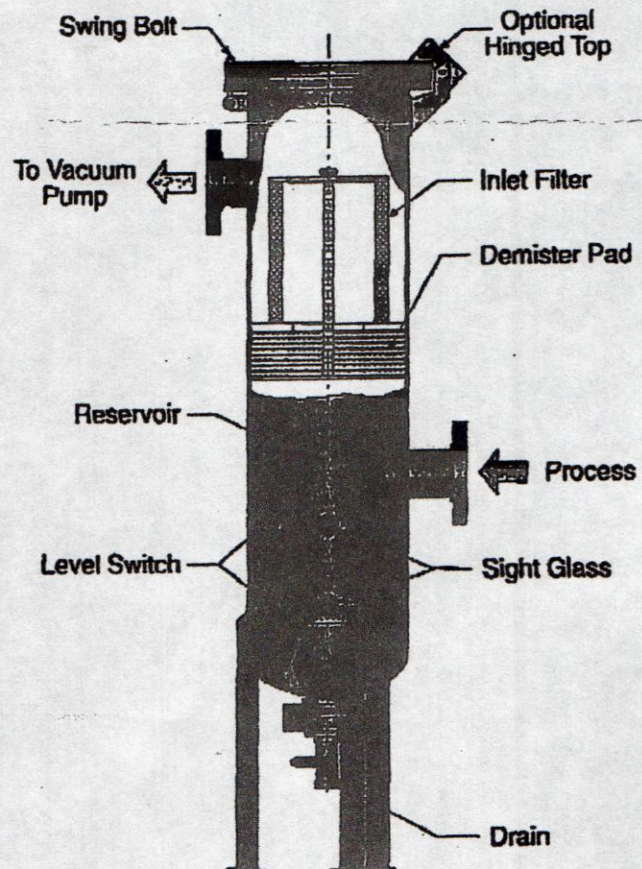
In the second stage, the demister pad removes the mist/fog and also acts as a prefilter which removes larger solid particulates. The third stage of the combination unit is a particulate filter which removes solids down to 10 microns. The filter and demister pad are easily accessible through a removable top.

FEATURES

- Space saving, single housing design for both liquid separation and solid filtration
- Easy, full access, swing bolt retained top cover for internal inspection and cleaning
- 304 stainless steel demister pad
- Viton gaskets and 150# raised face flanged process connections
- Carbon steel housing, designed and tested for vacuum service
- Housing is self-supporting with legs for free standing installation
- NEMA 7 liquid level switches
- Sight glasses and manual liquid drain valve
- 10 micron polypropylene particulate filter

AVAILABLE OPTIONS

- Hinged top cover
- ASME certified for full vacuum, 50 psig at 200°F service
- Available in a wide range of materials to meet special process requirements



Packaging - Processing
Bid on Equipment

1-847-683-7720

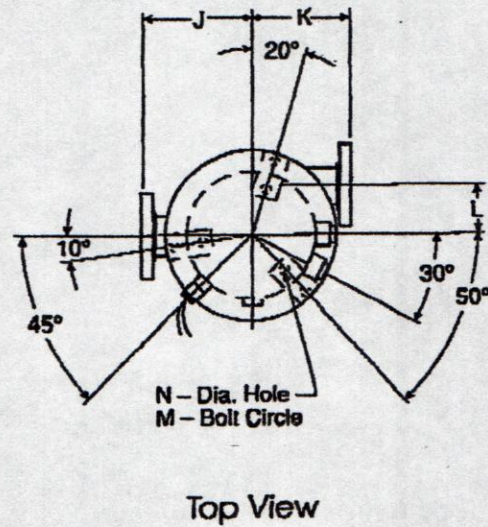
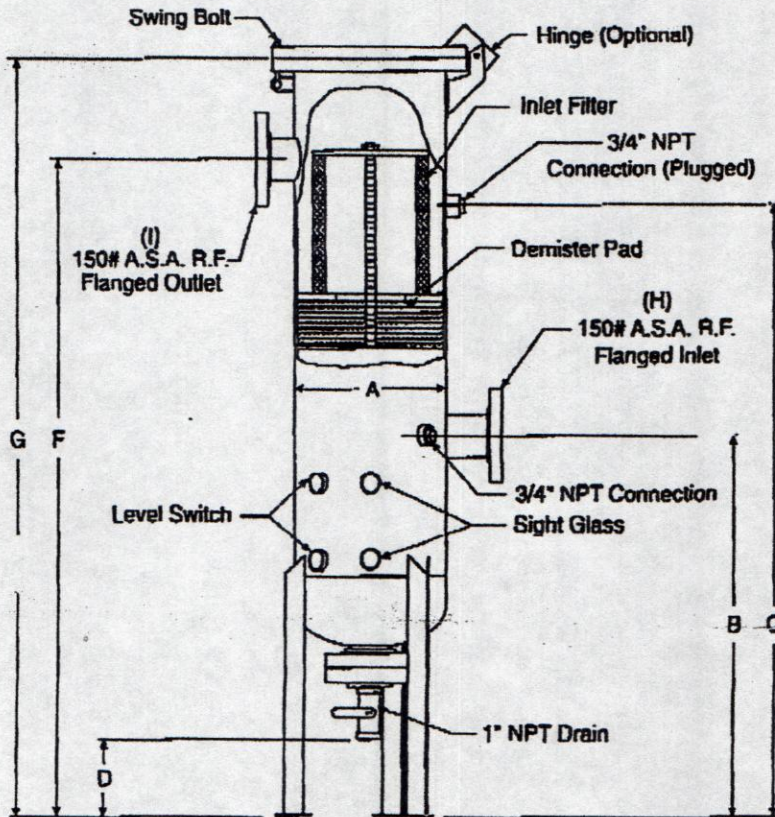
www.bid-on-equipment.com

COMBINATION KNOCK-OUT POT/INLET FILTER



MODELS KOP-U SERIES

DIMENSIONS



Model	A	B	C	D	F	G	H	I	J	K	L	M	N	Total Vol.	Condensate Vol.	Shpg. Wt.
U 8	8 ⁵ / ₈	35	45	9	51	57	2"-150#	2"-150#	8	8	3 ¹ / ₈	7 ³ / ₄	1 ¹ / ₁₆	8 gals.	3 gals.	250 lbs.
U 12	12 ³ / ₄	41	59	9	63	71	3"-150#	3"-150#	10 ¹ / ₂	10 ¹ / ₂	4 ⁵ / ₈	9 ¹ / ₄	1	25 gals.	9 gals.	475 lbs.
U 16	16	41	69	9	73	81 ¹¹ / ₁₆	4"-150#	4"-150#	14	14	5 ⁷ / ₁₆	12	1	49 gals.	15 gals.	650 lbs.
U 24	24	47	75	9	81	93	6"-150#	6"-150#	18	18	8 ¹¹ / ₁₆	21 ¹ / ₂	1	136 gals.	42 gals.	1100 lbs.

All Dimensions in Inches.

Busch, Inc.
516 Viking Drive
Virginia Beach, VA 23452
Phone (757) 463-7800
AX (757) 463-7407

Holland, Spain, Switzerland, Sweden, Turkey, Denmark, England, Australia, Italy, France, China, Germany, Taiwan, Japan, Austria, Canada

Models and specifications are subject to change without notice.

Packaging - Processing
Bid on Equipment

1-847-683-7720
www.bid-on-equipment.com