

VS1GV

AC DRIVES

Performance and precision are executed with simplicity to provide a drive product to meet your most demanding applications.

Built on the popular H2 vector technology, the Baldor V*S Drives VS1GV is a product designed to tackle difficult and demanding applications while providing an interface to the user that is simple and intuitive. The VS1GV is a high performance closed loop vector drive that controls motor speed and torque with the precision and the responsiveness needed to accomplish the most demanding applications. Additionally, it provides the same interface as the Baldor V*S Drives sensorless vector products so that commonality is maintained within your facility for both closed loop and open loop applications.



- ✓ Aggregate/Cement
- ✓ Food/Beverage
- ✓ Mining
- ✓ Paper/Forest Products
- ✓ Petroleum/Chemicals
- ✓ Unit/Baggage Handling
- ✓ Air Handling
- ✓ Power Generation
- ✓ Pump/Fluid Handling

Features

- Input Voltages / Power Ratings
 - 120/240 Vac 1-phase/ 1 ~ 3 Hp
 - 200-240 Vac 3-phase/ 1 ~ 60 Hp
 - 380-480 Vac 3-phase/ 1 ~ 125 Hp
 - 575-600 Vac 3-phase/ 1 ~ 125 Hp
- Enclosures / Mounting
 - NEMA 1 (1 ~ 125 Hp)
 - NEMA 4X / IP65 (1 ~ 10 Hp)
- Control Modes
 - V/Hz (Pump/Fan, Linear, Custom)
 - Sensorless Vector
 - Closed Loop Vector
- User-friendly keypad with full-graphics backlit LCD display and adjustable font sizes
 - Parameter upload/download capability
 - Multiple (6) English-text status screens
 - Help text available for all screens
 - Remote mountable up to 200 feet away
- PID Control Loop with 2 or 3 inputs
- Profile run for repetitive processes

- PLC functionality for intelligent operation
- Same expansion boards as VS1SP products
- Normal duty and heavy duty ratings
- USB interface standard for PC-based tools
- Pull-apart terminal blocks

Specifications

- Digital Inputs (9), automatic mode setup, 24 Vdc sink/source, internal/external power source
- Relay Outputs (2) N.O. / N.C. (Form C)
- Digital Outputs (2) Opto-isolated (24Vdc)
- Analog Inputs (2)
 - (1) Unipolar 0 ~ 10Vdc
 - (1) ±10V / 0 ~ 10V / 4 ~ 20mA
- Analog Outputs (2)
 - (1) Unipolar 0 ~ 10Vdc or 4 ~ 20mA
 - (1) Bipolar ±10Vdc
- Encoder (standard)
 - 5Vdc or 12Vdc Encoders (power supply provided)
 - 60 ~ 20,000 PPR Selectable
 - 2 channel, quadrature, differential
 - Marker pulse capable for positioning
 - 4 MHz maximum frequency input

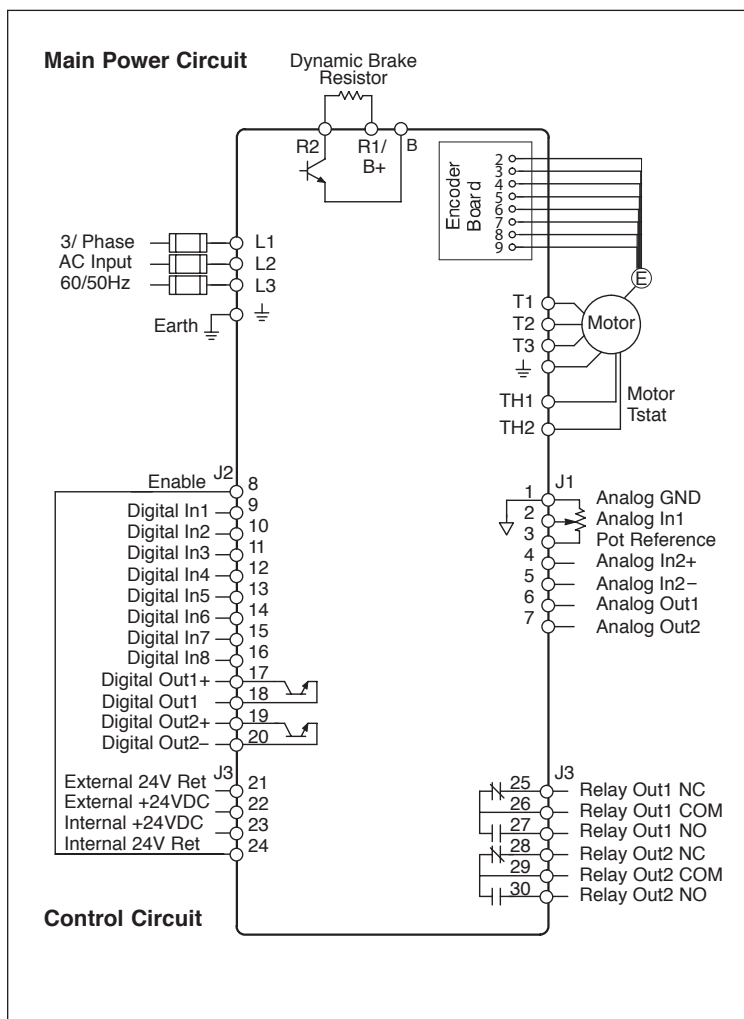
Specifications (continued)

- Environmental
 - -10 ~ 45°C (higher available w/derate)
 - 1000m Altitude w/o derate
 - 10 ~ 90% Humidity, non-condensing NEMA 1 models/ 10 ~ 100% Humidity NEMA 4X models
- Electrical
 - Input voltage $\pm 10\%$ of nominal, 48 ~ 63 Hz
 - Operational on single-phase input with derate
- Output Ratings
 - 0 ~ 500Hz Output Frequency
 - 1 ~ 16KHz switching frequency
 - 115% Overload Normal Duty Ratings
 - 150% Overload Heavy Duty Ratings
 - 175% Overload 3 Second Capability
- RS485 Modbus RTU Standard (BuiltIn)
 - Provides ability for multi-drop control from PLC without need for expansion board

VS1GV Catalog Number Definition

VS1GV	4	50	-1	B	
				Braking	
				B=Transistor & Resistor	
				Enclosure	
				1=NEMA 1	
				4=NEMA 4X (indoor)	
					HP
					1
					2
					3
					5
					7
					10
					15
					20
					25
					30
					40
					50
					60
					75
					100
					125
				Voltage	
				2=230V	
				4=460V	
				5=575V	
				6=115V/230 Single Phase	

VS1GV Connections



Agency Certifications / Listings:

- UL
- cUL
- CE

Instruction Manuals:

- Drive: MN765
- EtherNet Server Expansion Board: MN751
- Mini® Expansion Board: MN752
- Isolated Input Expansion Board: MN753
- High Resolution Analog Input/Output Expansion Board: MN754
- Master Pulse Reference / Isolated Pulse Follower Expansion Board: MN755
- DeviceNet / EtherNet/IP Expansion Board: MN756
- PROFIBUS-DP Expansion Board: MN758
- Lonworks Expansion Board: MN759

RATINGS

Catalog Number	Enclosure Type	Frame	Heavy Duty HP	Heavy Duty kW	Continuous Heavy Duty Amps	Normal Duty HP	Normal Duty kW	Continuous Normal Duty Amps
115Vac / 230Vac Single-Phase Input								
VS1GV61-1B	NEMA 1	AA	1	0.75	4.2	2	1.5	6.8
VS1GV61-4B	NEMA 4X	AA	1	0.75	4.2	2	1.5	6.8
VS1GV62-1B	NEMA 1	AA	2	1.5	6.8	3	2.25	9.6
VS1GV62-4B	NEMA 4X	AA	2	1.5	6.8	3	2.25	9.6
VS1GV63-1B	NEMA 1	AA	3	2.25	9.6	3	2.25	9.6
VS1GV63-4B	NEMA 4X	AA	3	2.25	9.6	3	2.25	9.6
230Vac Three-Phase Input								
VS1GV21-1B	NEMA 1	AA	1	0.75	4.2	2	0.75	6.8
VS1GV21-4B	NEMA 4X	AA	1	0.75	4.2	2	0.75	6.8
VS1GV22-1B	NEMA 1	AA	2	1.5	6.8	3	1.5	9.6
VS1GV22-4B	NEMA 4X	AA	2	1.5	6.8	3	1.5	9.6
VS1GV23-1B	NEMA 1	AA	3	2.25	9.6	5	2.25	15.2
VS1GV23-4B	NEMA 4X	AA	3	2.25	9.6	5	2.25	15.2
VS1GV25-1B	NEMA 1	AA	5	3.73	15.2	7.5	3.73	22.0
VS1GV25-4B	NEMA 4X	AA	5	3.73	15.2	7.5	3.73	22.0
VS1GV27-1B	NEMA 1	AA	7.5	5.6	22.0	7.5	5.6	22.0
VS1GV27-4B	NEMA 4X	AA	7.5	5.6	22.0	7.5	5.6	22.0
VS1GV210-1B	NEMA 1	B	10	7.5	28.0	15	7.5	42.0
VS1GV215-1B	NEMA 1	B	15	11.2	42.0	20	11.2	54.0
VS1GV220-1B	NEMA 1	B	20	14.9	55.0	20	14.9	54.0
VS1GV225-1B	NEMA 1	C	25	18.7	68.0	30	18.7	80.0
VS1GV230-1B	NEMA 1	C	30	22.4	80.0	40	22.4	104.0
VS1GV240-1B	NEMA 1	C	40	29.8	104.0	40	29.8	104.0
VS1GV250-1B	NEMA 1	D	50	37.3	130.0	50	37.3	154.0
VS1GV260-1B	NEMA 1	D	60	44.8	154.0	60	44.8	192.0
460Vac Three-Phase Input								
VS1GV41-1B	NEMA 1	AA	1	0.75	2.1	2	1.5	3.4
VS1GV41-4B	NEMA 4X	AA	1	0.75	2.1	2	1.5	3.4
VS1GV42-1B	NEMA 1	AA	2	1.5	3.4	3	2.25	4.8
VS1GV42-4B	NEMA 4X	AA	2	1.5	3.4	3	2.25	4.8
VS1GV43-1B	NEMA 1	AA	3	2.25	4.8	5	3.73	7.6
VS1GV43-4B	NEMA 4X	AA	3	2.25	4.8	5	3.73	7.6
VS1GV45-1B	NEMA 1	AA	5	3.73	7.6	7.5	5.6	11.0
VS1GV45-4B	NEMA 4X	AA	5	3.73	7.6	7.5	5.6	11.0
VS1GV47-1B	NEMA 1	AA	7.5	5.6	11.0	10	7.5	14.0
VS1GV47-4B	NEMA 4X	AA	7.5	5.6	11.0	10	7.5	14.0
VS1GV410-1B	NEMA 1	AA	10	7.5	14.0	10	7.5	14.0
VS1GV410-4B	NEMA 4X	AA	10	7.5	14.0	10	7.5	14.0
VS1GV415-1B	NEMA 1	B	15	11.2	21.0	20	14.9	27.0
VS1GV420-1B	NEMA 1	B	20	14.9	27.0	25	18.7	34.0
VS1GV425-1B	NEMA 1	B	25	18.7	34.0	30	22.4	40.0
VS1GV430-1B	NEMA 1	C	30	22.4	40.0	40	29.8	52.0
VS1GV440-1B	NEMA 1	C	40	29.8	52.0	50	37.3	65.0
VS1GV450-1B	NEMA 1	C	50	37.3	65.0	60	44.8	77.0
VS1GV460-1B	NEMA 1	D	60	44.8	77.0	75	55.6	96.0
VS1GV475-1B	NEMA 1	D	75	55.6	96.0	100	75	124.0
VS1GV4100-1B	NEMA 1	D	100	75	124.0	125	93.3	156.0
VS1GV4125-1B	NEMA 1	D	125	93.3	156.0	150	112	180.0
575Vac Three-Phase Input								
VS1GV51-1B	NEMA 1	AA	1	0.75	1.7	2	1.5	2.7
VS1GV51-4B	NEMA 4X	AA	1	0.75	1.7	2	1.5	2.7
VS1GV52-1B	NEMA 1	AA	2	1.5	2.7	3	2.25	3.9
VS1GV52-4B	NEMA 4X	AA	2	1.5	2.7	3	2.25	3.9
VS1GV53-1B	NEMA 1	AA	3	2.25	3.9	5	3.73	6.1
VS1GV53-4B	NEMA 4X	AA	3	2.25	3.9	5	3.73	6.1
VS1GV55-1B	NEMA 1	AA	5	3.73	6.1	7.5	5.6	9.0
VS1GV55-4B	NEMA 4X	AA	5	3.73	6.1	7.5	5.6	9.0
VS1GV57-1B	NEMA 1	AA	7.5	5.6	9.0	10	7.5	11.0
VS1GV57-4B	NEMA 4X	AA	7.5	5.6	9.0	10	7.5	11.0
VS1GV510-1B	NEMA 1	AA	10	7.5	11.0	10	7.5	11.0
VS1GV510-4B	NEMA 4X	AA	10	7.5	11.0	10	7.5	11.0
VS1GV515-1B	NEMA 1	B	15	11.2	17.0	20	14.9	22.0
VS1GV520-1B	NEMA 1	B	20	14.9	22.0	25	18.7	27.0
VS1GV525-1B	NEMA 1	B	25	18.7	27.0	25	22.4	32.0
VS1GV530-1B	NEMA 1	C	30	22.4	32.0	40	29.8	41.0
VS1GV540-1B	NEMA 1	C	40	29.8	41.0	50	37.3	52.0
VS1GV550-1B	NEMA 1	C	50	37.3	52.0	60	44.8	62.0
VS1GV560-1B	NEMA 1	D	60	44.8	62.0	75	55.6	77.0
VS1GV575-1B	NEMA 1	D	75	55.6	77.0	100	75	99.0
VS1GV5100-1B	NEMA 1	D	100	75	99.0	125	93.3	125.0
VS1GV5125-1B	NEMA 1	D	125	93.3	125.0	150	112	144.0

DIMENSIONS

Size	Dimensions inches (mm)					Weight (ap'x)
	Outside			Mounting		
	Height (A)	Width (B)	Depth (C)	Height (A1)	Width (B1)	lbs (kg)
AA	12.27 (312)	7.97 (202)	8.21 (209)	11.75 (298)	7.38 (187)	20 (9.1)
B	18.00 (457)	9.10 (231)	9.77 (248)	17.25 (438)	7.00 (178)	30 (13.6)
C	22.00 (559)	9.10 (231)	9.77 (248)	21.25 (540)	7.00 (178)	60 (27.2)
D	28.00 (711)	11.50 (292)	13.00 (330)	27.25 (690)	9.50 (241)	120 (54.4)

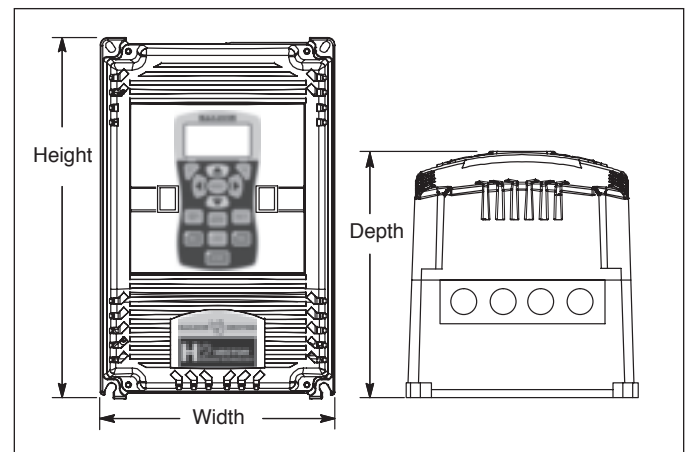
Additional Features

- USB 2.0 and RS485 ports standard on every drive
- Workbench PC Configuration and control software provided at no charge (download from web site)
 - Connects to drive via USB 2.0 or RS485 port
 - Commissioning Wizard
 - Parameter view/modify
 - Oscilloscope function
 - Drive cloning capability
 - Firmware update capability
- Real time clock for logging events in drive memory
- Fault trace capability to determine several key operating conditions captured at the time of fault
- Quick Setup Display
 - Control type (V/Hz / Sensorless Vector/Closed Loop Vector)
 - Motor rated volts
 - Motor rated amps
 - Motor magnetizing amps (no load current)
 - Motor rated base speed
 - Motor rated frequency
 - Calculate motor model
 - Feedback source
 - Encoder counts
 - Analog offset trim
 - One-step tuning
 - Operating mode (keypad, terminals, network)
 - Acceleration time
 - Deceleration time
 - Minimum speed
 - Maximum speed

Optional Equipment and Accessories

Note: These options are common to both the VS1GV and VS1SP drive families

- Remote NEMA 4X/12 Keypad
 - Keypad: KP0029A01SP
 - Keypad cables available up to 200 ft. (61 meters)
- Communications Options
 - EtherNet Server: EXBHH001A01
 - DeviceNet / EtherNet/IP: EXBHH013A01
 - PROFIBUS: EXBHH014A01
 - Lonworks: EXBHH016A01
- Expansion Options
 - Isolated Input (115Vac): EXBHH003A01
 - High Resolution Analog: EXBHH005A01
 - Master Pulse Reference/Follower: EXBHH007A01
 - Mini® Expansion Board: EXBHH002A01
- Dynamic Braking Resistors
 - See dynamic braking resistor selection table in catalog
- Line Reactors
 - See accessories and options section of catalog
- Line (CE) Filters
 - See accessories and options section of catalog



www.baldor.com www.ptplace.com www.dodge-pt.com www.reliance.com

BALDOR
BALDOR • DODGE • RELIANCE

Baldor Electric Company Headquarters

P.O. Box 2400, Fort Smith, AR 72902-2400 U.S.A., Ph: (1) 479.646.4711, Fax (1) 479.648.5792, International Fax (1) 479.648.5895

Baldor - DODGE/Reliance

6040 Ponders Court, Greenville, SC 29615-4617 U.S.A., Ph: (1) 864.297.4800, FAX: (1) 864.281.2433

FL765 4/07-10M-S Copyright © 2007 Baldor Electric Company All Rights Reserved. Printed in USA.

Packaging - Processing
Bid on Equipment
1-847-683-7720
www.bid-on-equipment.com

This material is not intended to provide operational instructions. Appropriate instruction manuals and precautions should be studied prior to installation, operation or maintenance of equipment.