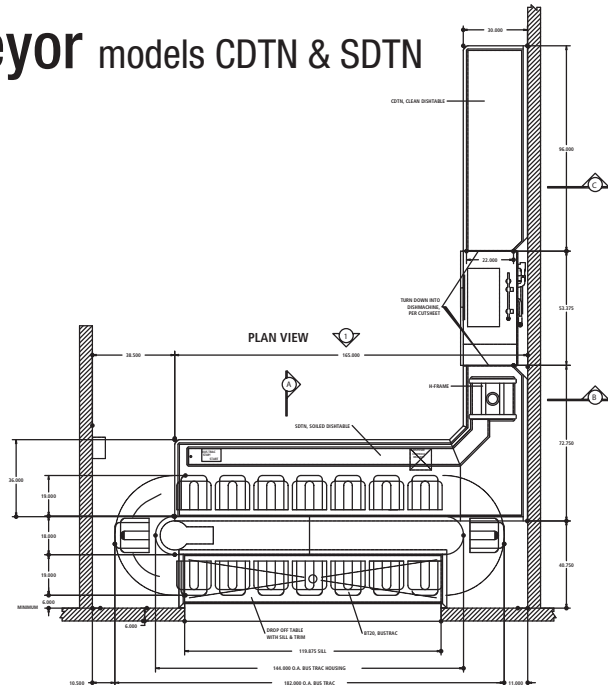


Conveyors Dish Table Conveyor models CDTN & SDTN

Description:

CDTN: Clean dish table.
SDNT: Soiled dish table.



Specifications:

None.

Standard Features:

- 14 ga S/S worksurface
- 1 5/8" S/S legs with 1 1/2" S/S crossmembers

CDTN Optional Accessories:

- Sink
- H-frame
- Hose reel:
- Wall or post mounted overshelf
- Wall or post mounted tubular overshelf

SDTN Optional Accessories:

- Trough
 - Trough extension with or without cover
 - Pulper connection flange
 - Bridge
 - H-frame
 - Hose reel:
 - Weld in customer provided disposer ring
 - Disposer controls bracket
 - Mixing valve bracket
 - Transfer edge
 - Auto (APRs) or manual (MPRs) plate rinses
 - Manual plate rinses
 - Wall or post mounted tubular overshelf clean dish table
 - Wall or post mounted overshelf Hinged drop-off panels:
 - Laminated doors
 - Stainless steel doors
- Sink
 - Soak sink
 - Mobile bridge
 - Silver Saver:**
 - Dam type
 - Sump type with lever drain
 - Magnetic type

Front, Top & Side Views

