

Anets

MDR—8C

MDR—8S

*a rugged unit
for pie, pizza,
specialty doughs...*

Here is the most powerful, rugged portable Sheeter made today. The Anets MDR-8 with its $\frac{3}{4}$ H.P. motor, reducer and totally enclosed chain drive, is designed to handle the stiffest pizza, as well as the most delicate danish.

Quick acting ratchet handle permits economical multi-pass sheeting. Dough reductions can be made in $\frac{1}{32}$ " increments.

The Anets MDR-8 Sheeter meets the highest sanitation standards. Scrapers, dough chutes, dough guides, flour tray and all covers are easily removable. Machine frame and covers of aluminum.

Available as a counter unit, Model MDR-8C, or with sturdy steel stand with casters, Model MDR-8S.

Packaging - Processing
Bid on Equipment

1-847-683-7720

www.bid-on-equipment.com

Anets

MDR-8C MDR-8S

MDR-8C Construction: Heavy cast aluminum frame. All machined parts of cast iron or steel.

MDR-8S Construction: Welded 14-gauge steel with baked white enamel finish.

Rollers: Cylindrically ground for a precision finish to assure uniform sheeting. Size 20 inches long by $4\frac{3}{8}$ inches in diameter. Adjustable from 0" to 1". Numerical scale adjustment for repeat setting.

Scrapers: Spring steel scrapers are ground for perfect alignment with rollers.

Dough feed plate: Stainless steel . . . assures easy sliding of dough pieces.

Dough guides: Stainless steel—removable.

Flour tray: Conveniently located at top of unit.

Covers: Aluminum, snap-off type.

Motor: $\frac{3}{4}$ H.P., 110 volt AC, single phase. 6-foot cord and safety plug.

Safety Switch: Optional. Bar type micro safety switch. If operator's hands get too near roller, power is shut off.

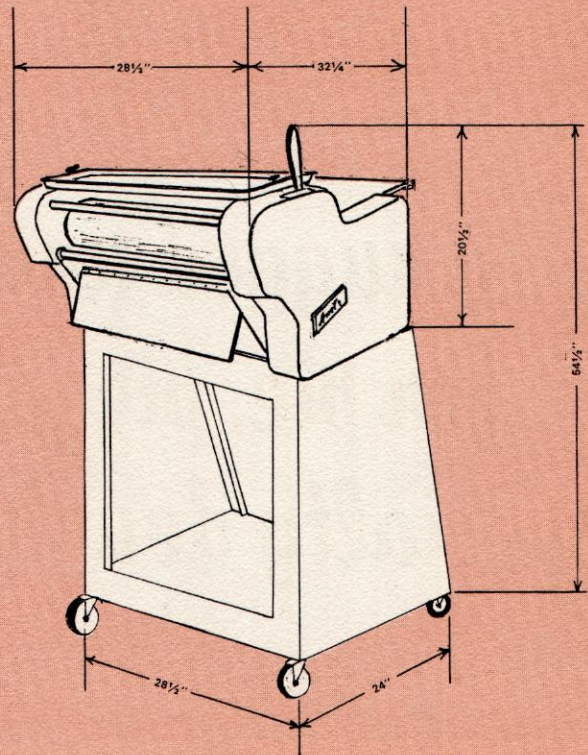
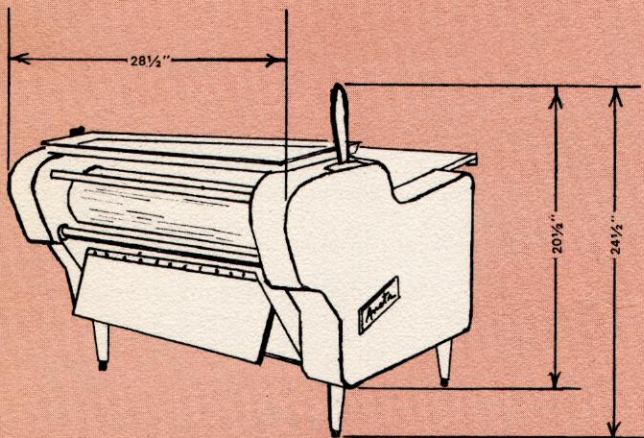
Speed reducer: Chain-drive speed reducer drives rollers at 55 feet per minute.

Shipping weight (approx.):

MDR-8C312 lbs. MDR-8S455 lbs.

Owing to our policy of continuous product improvement, specifications are subject to change without notice.

CONSTRUCTION FEATURES AND SPECIFICATIONS



ANETSBERGER BROTHERS, INC.

180 North Anets Drive • Northbrook, Illinois

Packaging - Processing
Bid on Equipment

1-847-683-7720

www.bid-on-equipment.com