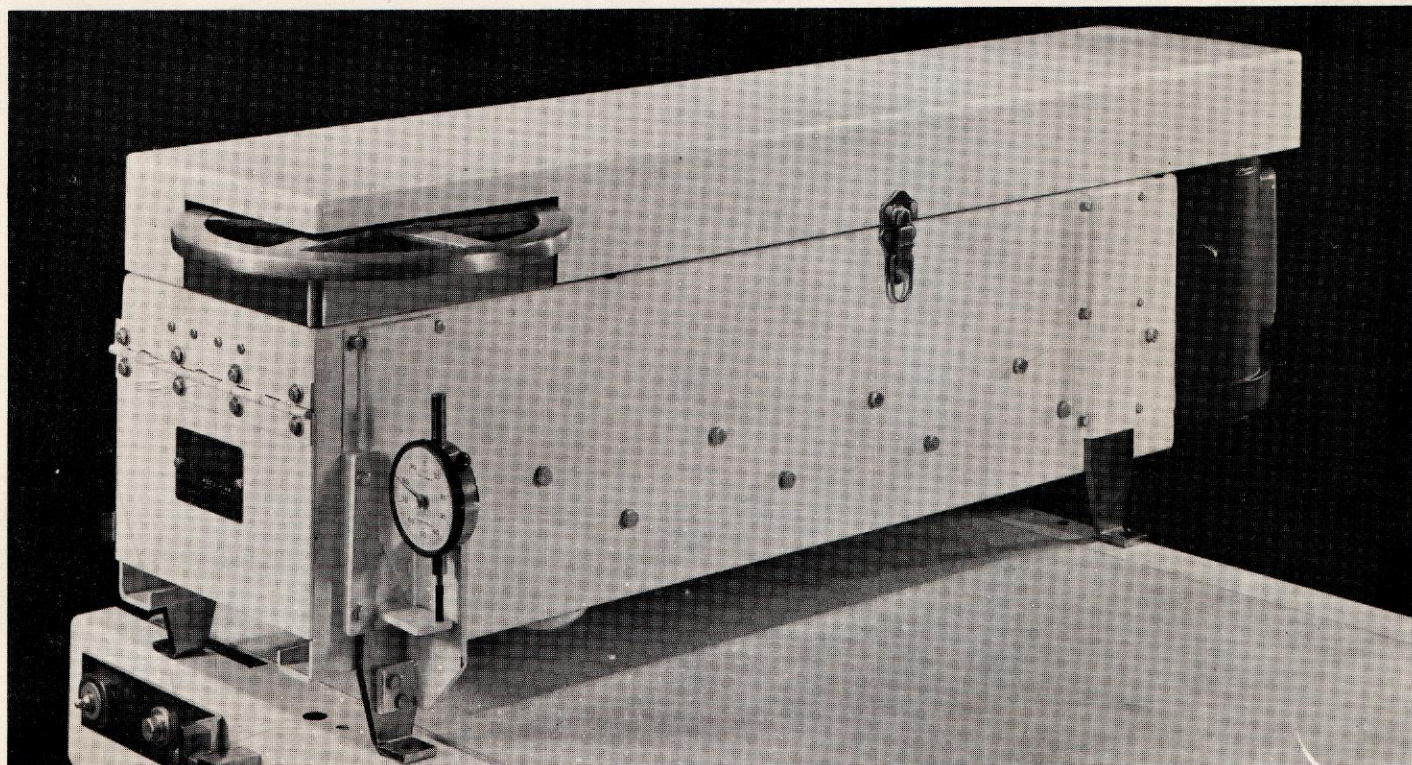


CROSS ROLLER

CR-7



Anets accessories

Anets Accessories are engineered to stand the stress of stepped-up production schedules and to turn out more uniform quality products. Anets Accessories have advanced design that automatically eliminates virtually all hand operations, saves up to 50% in labor costs. Many also available as portable units.

Cross rolls and sheets dough to finished thickness and desired width for continuous high speed production.

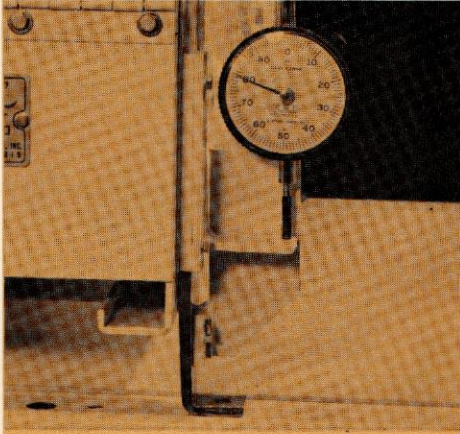
Cross sheeting produces better grain and volume.

Cross sheeting controls shrinkage of dough strip.

Cross sheeting assures better distribution of roll-in materials.

The Anets CR-7 eliminates the need for hand finishing operations.

Anets



Dough Thickness Indicator

Dial type precision measuring instrument provides direct final thickness measurement in one-thousandth inch increments. Optional extra-cost equipment.

SPECIFICATIONS

CONSTRUCTION: All steel frame, sanitary design. Equipped with access covers for easy cleaning and maintenance. Roller cleaning and inspection door equipped with safety cut-off switch. Double D-40 chain drive with positive screw adjustment take-up. White baked enamel finish. Optional extra-cost stainless steel covers.

ROLLER: Aluminum, ball bearing equipped, mounted to precision machined bronze carriage. Equipped with double scrapers.

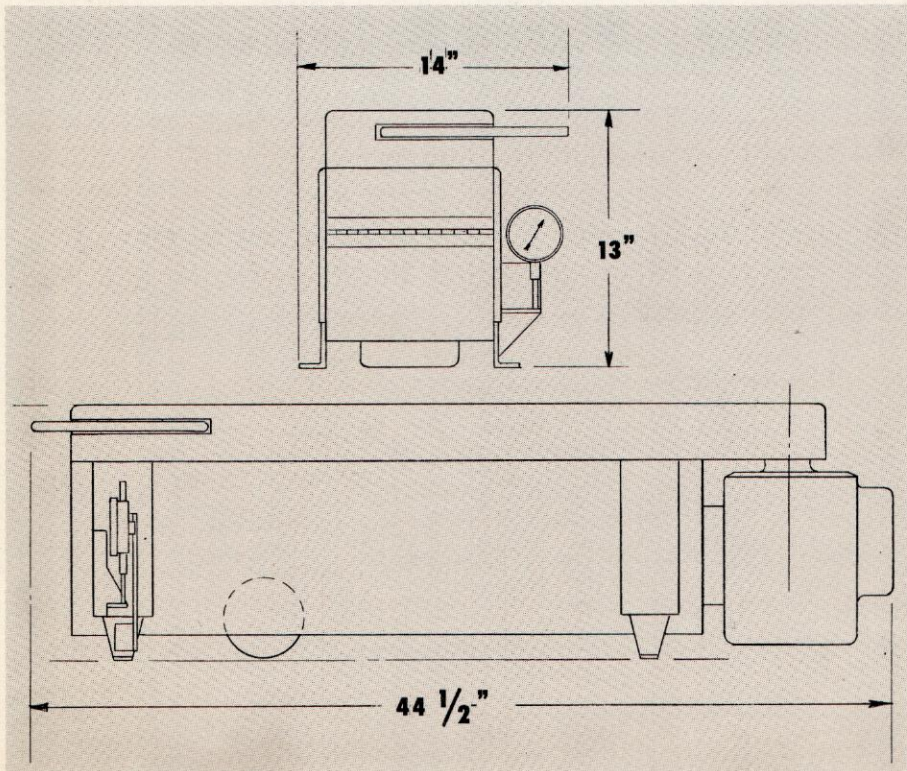
HEIGHT ADJUSTMENT: Large handwheel connects with positive chain drive screw mechanism to hold adjustment into locked position. Unit adjusts from 0 to 1".

MOTOR: 1/2 H.P., heavy duty, totally enclosed, ball-bearing with on/off switch and cord.

ELECTRICAL: 115/230 Volts, 60 cycles, single phase.

Anetsberger Brothers, Inc., whose policy is one of continuous improvement, reserves the right to discontinue or change specifications, models or prices at any time without incurring obligation.

PERFORMANCE PROVED — BACKED BY MORE THAN 40 YEARS EXPERIENCE



Bulletin No. 407 6/67

Manufactured
Exclusively
by

**ANETSBERGER
BROTHERS, INC.**

180 Anets Drive
Northbrook, Illinois
60062

**Packaging - Processing
Bid on Equipment**

1-847-683-7720
www.bid-on-equipment.com